

BALDOR® • RELIANCE

Product Information Packet

UCLE570

5-7 AIR OVERHP,3450RPM,1PH,60HZ,182TZ,36

Part Detail							
Revision:	F	Status:	PRD/A	Change #:		Proprietary:	No
Type:	AC	Prod. Type:	3646LC	Elec. Spec:	36WGX572	CD Diagram:	CD0208
Enclosure:	TEAO	Mfg Plant:		Mech. Spec:	36Q214	Layout:	36LYQ214
Frame:	182TZ	Mounting:	F1	Poles:	02	Created Date:	03-06-2014
Base:	RG	Rotation:	R	Insulation:	H	Eff. Date:	06-24-2016
Leads:	2#10 A PH SEE NOTES,2#16 B PH Y					Replaced By:	
Literature:		Elec. Diagram:					

Nameplate NP1279L	
CAT.NO.	UCLE570
SPEC.	36Q214X572G1
HP	5-7 AIR OVER
VOLTS	230
AMP	20.5-27.7
RPM	3450
FRAME	182TZ
	HZ 60
	PH 1
SER.F.	1.00
	CODE K
	DES L
	CL H
NEMA-NOM-EFF	PF
RATING	40C AMB-CONT
CC	USABLE AT 208V
DE	6206
	ODE 6205
ENCL	TEAO
	SN

Nameplate NP1263L	
CAT.NO.	UCLE570
SPEC.	36Q214X572G1
HP	5-7 AIR OVER
VOLTS	230
AMP	20.5-27.7
RPM	3450
FRAME	182TZ
SER.F.	1.00
NEMA-NOM-EFF	
RATING	40C AMB-CONT
CC	
DE	6206
ENCL	TEAO
CAT.NO.	UCLE570
SPEC.	36Q214X572G1
HP	5-7 AIR OVER
VOLTS	230
AMP	20.5-27.7
RPM	3450
FRAME	182TZ
SER.F.	1.00
NEMA-NOM-EFF	
RATING	40C AMB-CONT
CC	
DE	6206
ENCL	TEAO
CODE	K
DES	L
CL	H
PH	1
ODE	6205
SN	
HZ	60
PF	
USABLE AT 208V	

Parts List		
Part Number	Description	Quantity
SA277495	SA 36Q214X572G1	1.000 EA
RA264044	RA 36Q214X572G1	1.000 EA
OC3060F10SP	CYL OIL CAP 60MFD/370V	1.000 EA
EC1216C06SP	ELEC CAP, 216-259 MFD, 250V, 2.06D X 4.	2.000 EA
HA6021A01SP	ADAPTOR, MACH	1.000 EA
36GS5000	GASKET CONDUIT ADAPTOR	1.000 EA
51XB1016A07	10-16 X 7/16 HXWSSLD SERTYB	2.000 EA
11XW1032G06	10-32 X .38, TAPTITE II, HEX WSHR SLTD U	1.000 EA
HW3001B01	BRASS CUP WASHER, FOR #8 SCREW	1.000 EA
36EP3104A46	FREP TENV 36L/M 205 BRG NO GRSR, W/GND	1.000 EA
13XF0832A08	8-32 X.50 PAN HD,SLTD, TYPE F SCREW, ZIN	2.000 EA
NS2501A01	INSULATOR, CAPACITOR	2.000 EA
51XB1016A05	10-16X5/16HX WA SL SR TYB (F/S)	4.000 EA
HW5100A05	WVY WSHR F/205 & 304 BRGS	1.000 EA
36PE3100B94	PUEP ASSEMBLY FOR ROUTING PURPOSES	1.000 EA
HW4600B50SP	SEAL 1.156 X 1.874 X 0.250 SINGLE LIP DB	1.000 EA
10XN2520A20	1/4-20X 1 1/4 HEX HD X	2.000 EA
XY2520A12	1/4-20 HEX NUT, DIRECTIONAL SERRATIONS	4.000 EA
HW4600B36SP	V-RING SLINGER 1.188 X 1.690 X .24 VITON	1.000 EA
HW2501E18	KEY, 1/4 SQ X 2.000	1.000 EA
HA7000A02	KEY RETAINER RING, 1 1/8 DIA, 1 3/8 DIA	1.000 EA
85XU0407S04	4X1/4 U DRIVE PIN STAINLESS	2.000 EA
MJ5001A27	32220KN GRAY SEALER *MIN BUY 4 QTS=1GAL	0.001 QT
HW3200A01	3/8-16X3/4 I-BLT WELDED F/S	1.000 EA

Parts List (continued)		
Part Number	Description	Quantity
MJ1000A02	GREASE, POLYREX EM EXXON (USe 4824-15A)	0.050 LB
MG1025C02	WILKOFASG SG, 787.105, TAN	0.022 GA
LB1115N	LABEL,LIFTING DEVICE (ON ROLLS)	1.000 EA
LD5000A24	LEAD ASSY, ML1400DF10 W/#10 RING 12"	1.000 EA
SP5172A13	37 TYPE L TORQ STAT SWITCH LEAD ASSEMBLY	1.000 EA
WD1000A15	3-520132-2 AMP FLAG (4M/RL NON-CANC/NON-	6.000 EA
35CB4802A02SP	CAPACITOR COVER, STAMPED X	2.000 EA
35GS3001A02	GASKET, CA.COVER, 5.38 LONG .06 CS301	2.000 EA
HA3101A28	THRUBOLT 1/4-20 X 12.500 OHIO ROD	4.000 EA
MP1002A24	6" X 16" .65 MIL. CLEAR PLASTIC BAG	1.000 EA
LB1119N	WARNING LABEL	1.000 EA
LC0208	CONNECTION LABEL	1.000 EA
NP1279L	ALUM FARM DUTY UL CSA CC	1.000 EA
NP1263L	AUX, GP, ALUM, CC, LASER ETCHED	1.000 EA
36PA1001	PKG GRP, PRINT PK1017A06	1.000 EA
MN416A01	TAG-INSTAL-MAINT no wire (1200/bx) 11/14	1.000 EA

Accessories		
Part Number	Description	Multiplier
36-3301	C FACE KIT	A8
36EP1304A62SP	FLANGE MTD ENDPLATE 182-4TD -ENCL (LESS	A8

AC Induction Motor Performance Data

Record # 36968 - Typical performance - not guaranteed values

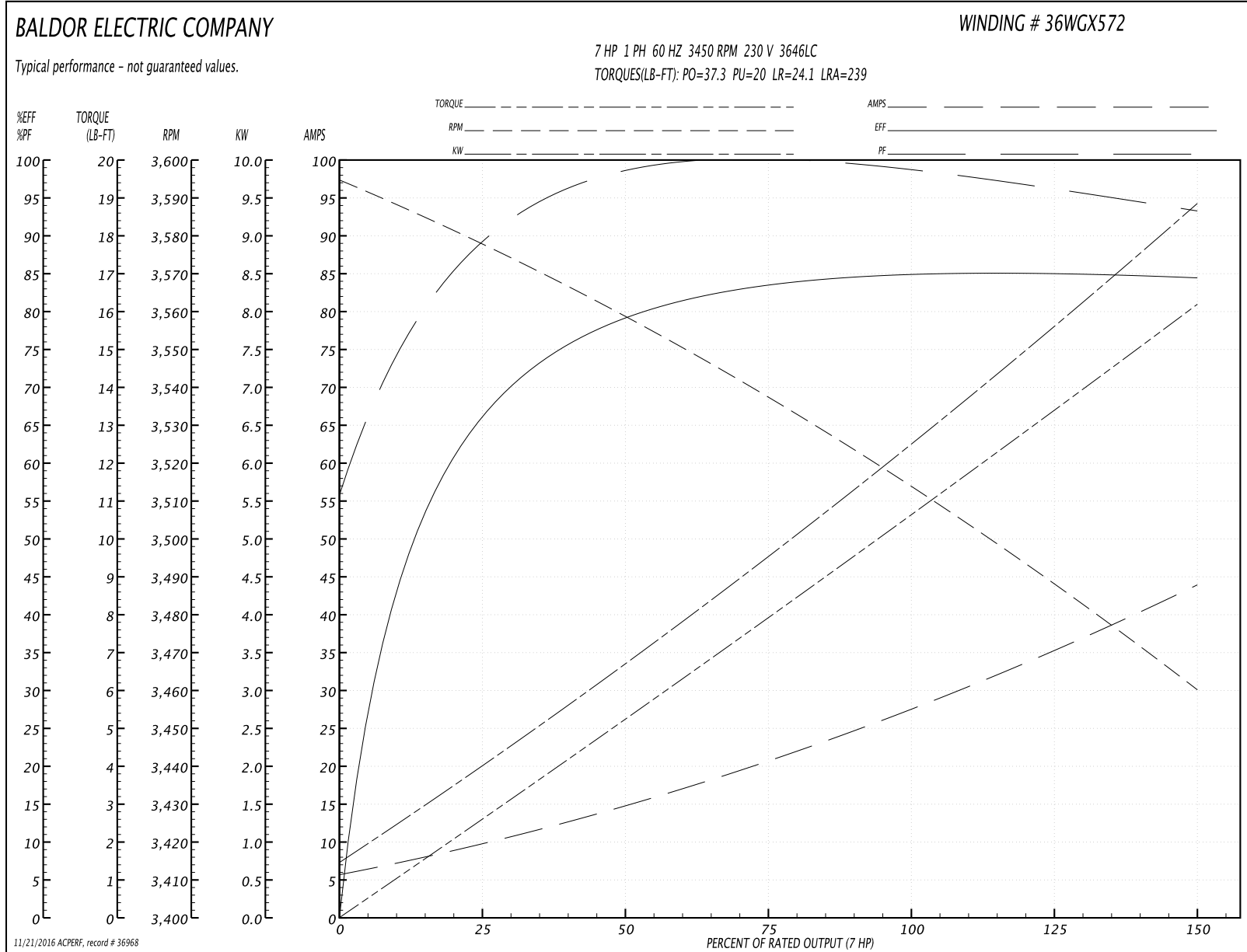
Winding: 36WGX572-R004	Type: 3646LC	Enclosure: TEAO
-------------------------------	---------------------	------------------------

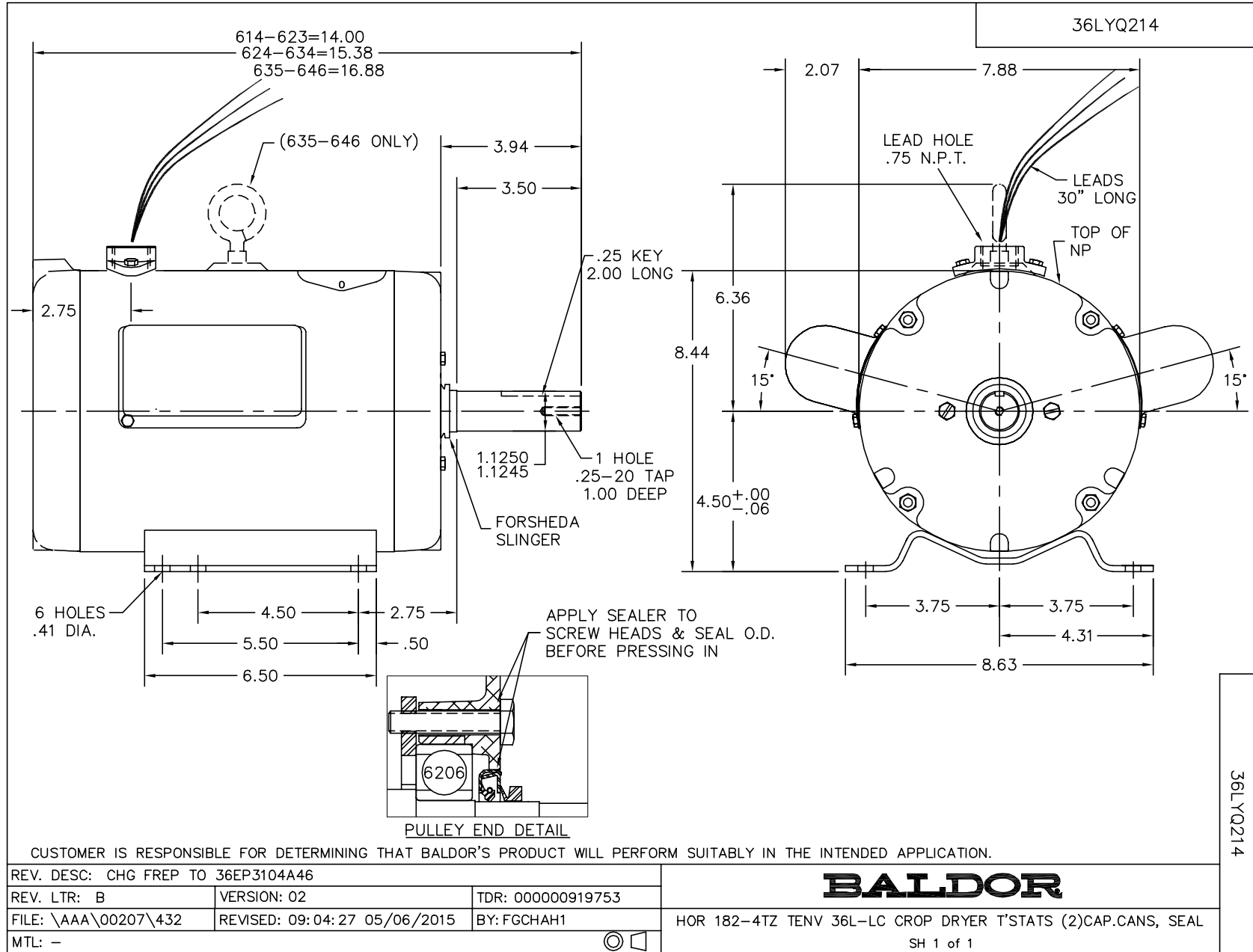
Nameplate Data				230 V, 60 Hz: Single Voltage Motor	
Rated Output (HP)	5-7 AIR OVER			Full Load Torque	10.8 LB-FT
Volts	230			Start Configuration	direct on line
Full Load Amps	20.5-27.7			Breakdown Torque	37.3 LB-FT
R.P.M.	3450			Pull-up Torque	20 LB-FT
Hz	60	Phase	1	Locked-rotor Torque	24.1 LB-FT
NEMA Design Code	L	KVA Code	K	Starting Current	239 A
Service Factor (S.F.)	1			No-load Current	6 A
NEMA Nom. Eff.	0	Power Factor	0	Line-line Res. @ 25°C	0.197 Ω A Ph 0.838 Ω B Ph
Rating - Duty	40C AMB-CONT			Temp. Rise @ Rated Load	

Load Characteristics 230 V, 60 Hz, 7 HP

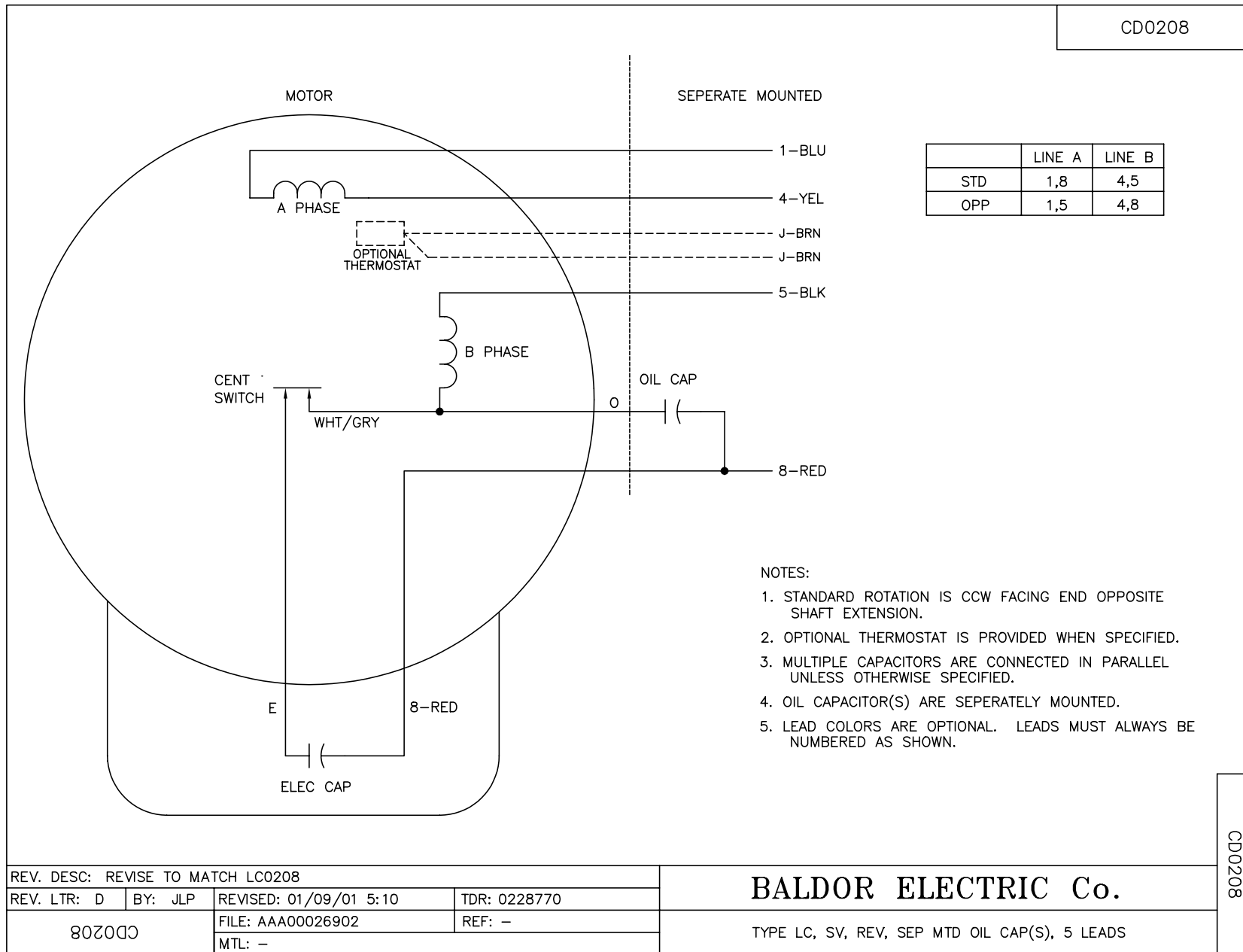
% of Rated Load	25	50	75	100	125	150
Power Factor	95	99	98	99	96	93
Efficiency	67.4	78.3	87.1	83.1	84.6	84.9
Speed	3577	3557	3536	3513	3487	3460
Line amperes	9.39	15.4	20.7	28.4	35.8	43.7

Performance Graph at 230V, 60Hz, 7.0HP Typical performance - Not guaranteed values





CD0208



REV. DESC: REVISE TO MATCH LC0208			
REV. LTR: D	BY: JLP	REVISED: 01/09/01 5:10	TDR: 0228770
80200		FILE: AAA00026902	REF: -
		MTL: -	

BALDOR ELECTRIC Co.

TYPE LC, SV, REV, SEP MTD OIL CAP(S), 5 LEADS

CD0208