

BALDOR® • ***RELIANCE***

Product Information Packet

VBM3538-S

.5HP, 1740RPM, 3PH, 60HZ, 56C, 3511M, TEFC, F3

| Part Detail | | | | | | | |
|-------------|------|----------------|-------|-------------|----------|---------------|------------|
| Revision: | J | Status: | PRD/A | Change #: | | Proprietary: | No |
| Type: | AC | Prod. Type: | 3512M | Elec. Spec: | 35WGP864 | CD Diagram: | CD0005 |
| Enclosure: | TEFC | Mfg Plant: | | Mech. Spec: | 35X055 | Layout: | 35LYX055 |
| Frame: | 56C | Mounting: | F3 | Poles: | 04 | Created Date: | 06-01-2011 |
| Base: | N | Rotation: | R | Insulation: | F | Eff. Date: | 10-28-2016 |
| Leads: | 9#18 | | | | | Replaced By: | |
| Literature: | | Elec. Diagram: | | | | | |

| Nameplate NP1372L | | | | | | | | | | | | | |
|-------------------|-------------------|--|--|--|--|------|------|--|-----|----|---|----------------|---|
| CAT.NO. | VBM3538-S | | | | | | | | | | | | |
| SPEC. | 35X055P864G1 | | | | | | | | | | | | |
| HP | .5 | | | | | | | | | | | | |
| VOLTS | 208-230/460 | | | | | | | | | | | | |
| AMP | 2.42-2.24/1.12 | | | | | | | | | | | | |
| RPM | 1740 | | | | | | | | | | | | |
| FRAME | 56C | | | | | HZ | 60 | | | PH | 3 | | |
| SER.F. | 1.15 | | | | | CODE | M | | DES | B | | CL | F |
| NEMA-NOM-EFF | 72 | | | | | PF | 58 | | | | | | |
| RATING | 40C AMB-CONT | | | | | | | | | | | | |
| CC | | | | | | | | | | | | USABLE AT 208V | |
| DE | 6205 | | | | | ODE | 6205 | | | | | | |
| ENCL | TEFC | | | | | SN | | | | | | | |
| | IP22, BRK 3 FT-LB | | | | | | | | | | | | |

| Parts List | | |
|----------------|--|----------|
| Part Number | Description | Quantity |
| SA224448 | SA 35X055P864G1 | 1.000 EA |
| RA211559 | RA 35X055P864G1 | 1.000 EA |
| S/P111-000-002 | CORONA TEST, SUPER E MOTORS - FT. SMITH | 1.000 EA |
| NS2512A01 | INSULATOR, CONDUIT BOX X | 1.000 EA |
| 35CB4007 | KOBX,W/PRIMER (REL# 79097-49-C) | 1.000 EA |
| 35GS3009 | GASKET, KOBX 35CB4006 (411881-15A) | 1.000 EA |
| 51XB1016A05 | 10-16X5/16HX WA SL SR TYB (F/S) | 2.000 EA |
| WD4101A13 | STEEL CAPLUG,BP-1 1/8, PLUG D3561S | 1.000 EA |
| 11XW1032G06 | 10-32 X .38, TAPTITE II, HEX WSHR SLTD U | 1.000 EA |
| HW5100A05 | WVY WSHR F/205 & 304 BRGS | 1.000 EA |
| 35EP3300A33 | SPL FACE MTD EP -ENCL-205 BRG | 1.000 EA |
| 51XN1032A20 | 10-32 X 1 1/4 HX WS SL SR | 2.000 EA |
| HW1001A10 | WASHER, #10 SPLT LK, ZN X | 4.000 EA |
| HW2501D13 | KEY, 3/16 SQ X 1.375 | 1.000 EA |
| BR2003D01 | SPLINED HUB 7/8 W/O KEY | 1.000 EA |
| 35FN3003A02 | EXFN, PLASTIC, 5.88 OD, .876 ID (REL) | 1.000 EA |
| 35FH4007A01 | FAN COVER FOR SHORT SERIES BRAKE, PRIMER | 1.000 EA |
| 51XW1032A06 | 10-32 X .38, TAPTITE II, HEX WSHR SLTD S | 4.000 EA |
| 35CB4519 | CB LID RAW & UNPRIMED, REL# 79097-50-B | 1.000 EA |
| 35GS3019A01 | LEXIDE GASKET, FOR KOBX LID 35CB4519 | 1.000 EA |
| 51XW0832A07 | 8-32 X .44, TAPTITE II, HEX WSHR SLTD SE | 4.000 EA |
| WD4006A01 | WIRE JOINT,T&B RB-4 OR RB-44 | 1.000 EA |
| HW2501D13 | KEY, 3/16 SQ X 1.375 | 1.000 EA |
| HA7000A04 | KEY RETAINER 0.625 DIA SHAFTS | 1.000 EA |

| Parts List (continued) | | |
|-------------------------------|--|-----------------|
| Part Number | Description | Quantity |
| 85XU0407S04 | 4X1/4 U DRIVE PIN STAINLESS | 2.000 EA |
| LB1418 | INTEGRAL BRK ADJ LABEL (REL# 41171617A) | 1.000 EA |
| MJ1000A02 | GREASE, POLYREX EM EXXON (USe 4824-15A) | 0.050 LB |
| MG1000N49 | MUNSELL 8.5BG 3.57/2.0, GLOSS 30, B/G, | 0.017 GA |
| LB1419 | CONNECTION LABEL | 1.000 EA |
| HA3100A13 | THRUBOLT 10-32 X 7.750 | 4.000 EA |
| 43BK0100B02 | SSB-3-230/460 (205) L HUB | 1.000 EA |
| LB1424A02 | BRAKE VOLT LABEL 230/460V SSB | 1.000 EA |
| LB1119N | WARNING LABEL | 1.000 EA |
| LC0005 | CONN.DIA.,TY M,9-LD,DUAL VOLT,REVERSING | 1.000 EA |
| MN416A01 | TAG-INSTAL-MAINT no wire (1200/bx) 11/14 | 1.000 EA |
| NP1372L | ALUM UL CSA CE CC | 1.000 EA |
| 36PA1000 | PKG GRP, PRINT PK1016A06 | 1.000 EA |
| PK3082 | STYROFOAM CRADLE | 1.000 EA |

AC Induction Motor Performance Data
Record # 36576 - Typical performance - not guaranteed values

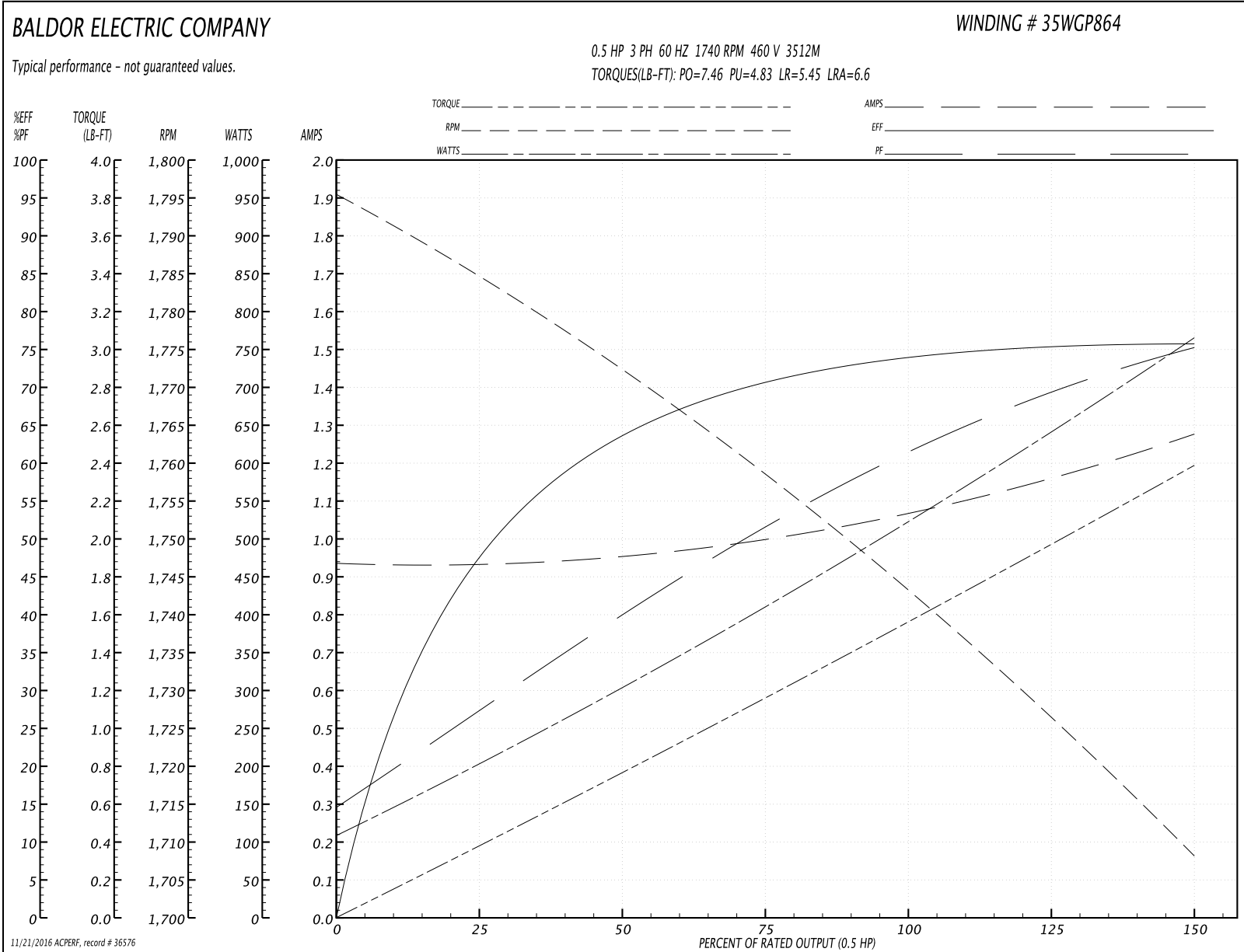
| | | |
|-------------------------------|--------------------|------------------------|
| Winding: 35WGP864-R003 | Type: 3512M | Enclosure: TEFC |
|-------------------------------|--------------------|------------------------|

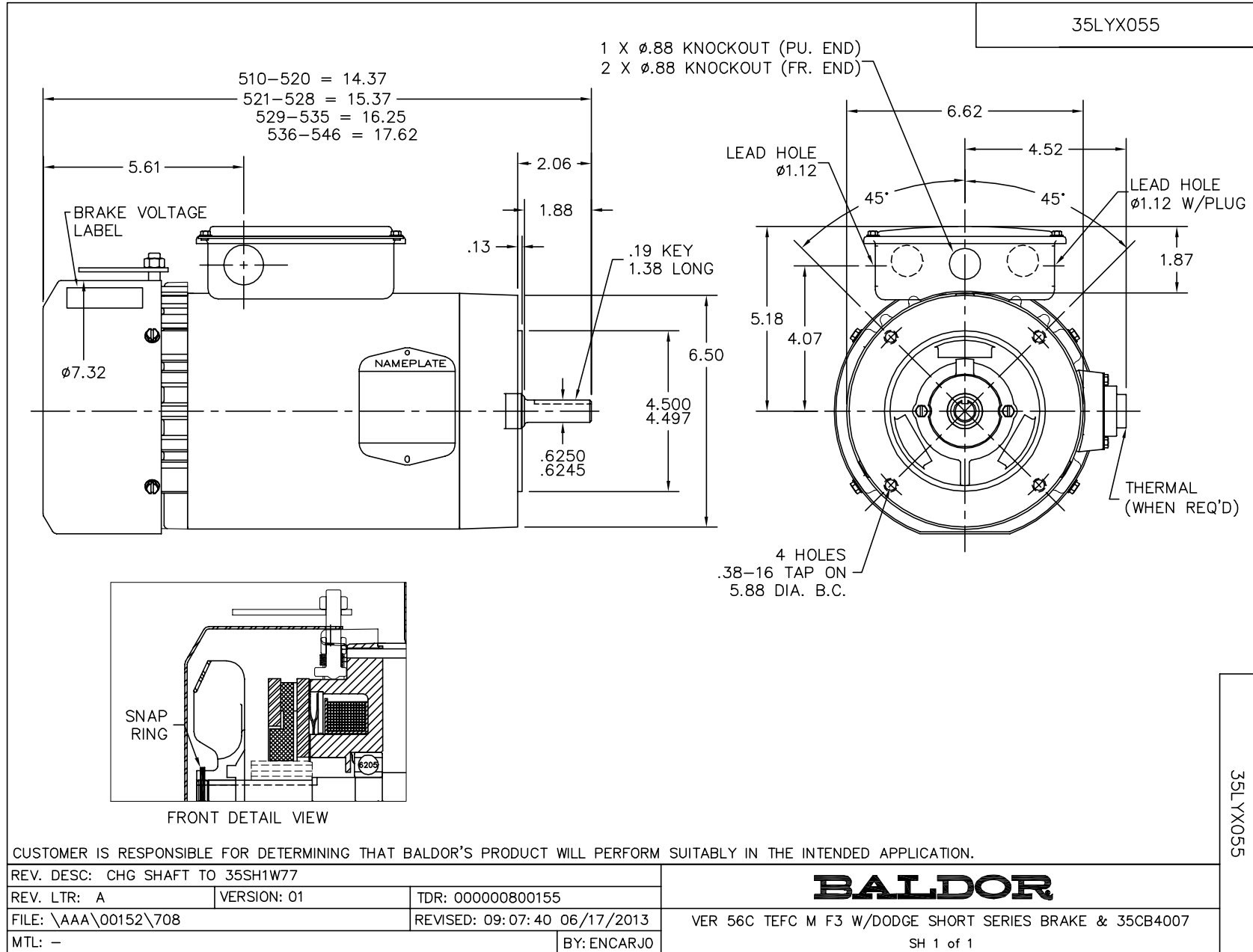
| Nameplate Data | | | | 460 V, 60 Hz: High Voltage Connection | |
|-----------------------|----------------|--------------|----|--|---------------------------|
| Rated Output (HP) | .5 | | | Full Load Torque | 1.52 LB-FT |
| Volts | 208-230/460 | | | Start Configuration | direct on line |
| Full Load Amps | 2.42-2.24/1.12 | | | Breakdown Torque | 7.46 LB-FT |
| R.P.M. | 1740 | | | Pull-up Torque | 4.83 LB-FT |
| Hz | 60 | Phase | 3 | Locked-rotor Torque | 5.45 LB-FT |
| NEMA Design Code | B | KVA Code | M | Starting Current | 6.6 A |
| Service Factor (S.F.) | 1.15 | | | No-load Current | 0.938 A |
| NEMA Nom. Eff. | 72 | Power Factor | 58 | Line-line Res. @ 25°C | 36.2 Ω |
| Rating - Duty | 40C AMB-CONT | | | Temp. Rise @ Rated Load | 41°C |
| S.F. Amps | | | | Temp. Rise @ S.F. Load | 45°C |
| | | | | Locked-rotor Power Factor | 80.2 |
| | | | | Rotor inertia | 0.0709 LB-FT ² |

Load Characteristics 460 V, 60 Hz, 0.5 HP

| % of Rated Load | 25 | 50 | 75 | 100 | 125 | 150 | S.F. |
|-----------------|-------|-------|------|------|------|------|------|
| Power Factor | 27 | 39 | 50 | 61 | 69 | 75 | 63 |
| Efficiency | 47.1 | 62.6 | 70.3 | 73.8 | 75.6 | 75.6 | 73.2 |
| Speed | 1786 | 1773 | 1759 | 1745 | 1729 | 1708 | 1732 |
| Line amperes | 0.926 | 0.953 | 1 | 1.06 | 1.14 | 1.28 | 1.17 |

Performance Graph at 460V, 60Hz, 0.5HP Typical performance - Not guaranteed values





CD0005



LOW VOLTAGE
(2Y)



LINE

HIGH VOLTAGE
(1Y)



LINE

NOTES:

1. INTERCHANGE ANY TWO LINE LEADS TO REVERSE ROTATION.
2. OPTIONAL THERMOSTATS ARE PROVIDED WHEN SPECIFIED.
3. ACTUAL NUMBER OF INTERNAL PARALLEL CIRCUITS MAY BE A MULTIPLE OF THOSE SHOWN ABOVE.
4. LEAD COLORS ARE OPTIONAL. LEADS MUST ALWAYS BE NUMBERED AS SHOWN.

| | | | |
|---|---------|-------------------------|--------------|
| REV. DESC: REVISE TO SHOW OPTIONAL COLORS | | | |
| REV. LTR: E | BY: JLP | REVISED: 01/19/99 10:15 | TDR: 0171435 |
| 90000 | | FILE: AAA00005140 | MDL: - |
| | | MTL: - | |

BALDOR ELECTRIC Co.

3PH, DV, 9 LEADS

CD0005