

BALDOR® • RELIANCE

Product Information Packet

VEM7042T-I

3//2 55C AMB @ 1.0SFHP,1760//1460 75CR

Part Detail							
Revision:	D	Status:	PRD/A	Change #:		Proprietary:	No
Type:	AC	Prod. Type:	3632M	Elec. Spec:	36WGS266	CD Diagram:	CD0005
Enclosure:	XPFC	Mfg Plant:		Mech. Spec:	36M654	Layout:	36LYM654
Frame:	182TC	Mounting:	F1	Poles:	04	Created Date:	10-09-2015
Base:	N	Rotation:	R	Insulation:	F	Eff. Date:	08-16-2016
Leads:	9#16					Replaced By:	
Literature:		Elec. Diagram:					

Nameplate NP0977XPSLEV			
NO.		CC	010A
SER.		TEMP CODE	T3C
SPEC.	36M654S266G1		
CAT.NO.	VEM7042T-I		
HP	3//2 55C AMB @ 1.0SF		
VOLTS	230/460//190/380		
AMPS	8.4/4.2//7.2/3.6		
RPM	1760//1460 75C RISE	MOTOR WEIGHT	108
HERTZ	60//50	PH	3
SER.F.	1.15	CL	F
FRAME	182TC	DE BRG	6206
RATING	40C AMB-CONT	ODE BRG	6205
USABLE AT 208V	9	GREASE	POLYREX EM
	NEMA MG-1 PT 5,IP55	NEMA-NOM-EFF	89.5
		PF	75

Parts List		
Part Number	Description	Quantity
SA308695	SA 36M654S266G1	1.000 EA
RA296031	RA 36M654S266G1	1.000 EA
36FN3000C01	EXFN, PLASTIC, 5.25 OD, .912 ID	1.000 EA
37CB1005A02	CONDUIT BOX-MACH-EXPL.PROOF-GROUP "C"MTR	1.000 EA
11XW1032G06	10-32 X .38, TAPTITE II, HEX WSHR SLTD U	1.000 EA
HW3001B01	BRASS CUP WASHER, FOR #8 SCREW	1.000 EA
06EP1709A19	FREP XPFC DRAIN, GROUP C (8.38 DIA. BC)	1.000 EA
HW4506A02	BREATHER/DRAIN-EXP PROOF-.125-27 NPTF AI	1.000 EA
HW3022E05	.125 DIA X .500 ROLLED SPRING PIN	1.000 EA
HW5100A05	WVY WSHR F/205 & 304 BRGS	1.000 EA
36EP1703A17	PUEP - GROUP C & E, DRAIN (HW4506A02)	1.000 EA
HA2009A81	SLINGER FOR GROUP E MTRS - 06 BRG.	1.000 EA
80XN0632J06	SET SCREW, 6-32 X 3/8", HEX SOCKET, AS	2.000 EA
51XN1032A20	10-32 X 1 1/4 HX WS SL SR	2.000 EA
HW4506A02	BREATHER/DRAIN-EXP PROOF-.125-27 NPTF AI	1.000 EA
HW3022E05	.125 DIA X .500 ROLLED SPRING PIN	1.000 EA
HW1001A10	WASHER, #10 SPLT LK, ZN X	2.000 EA
HW4001A01	1/4 HX SOC PIPE PLG (F/S) ALLOY STEEL W/	2.000 EA
60XN1032A07	10-32 X 1/2 TRUSS HEAD, TORX SERRATED ZN	2.000 EA
51XB1214A16	12-14X1.00 HXWSSLD SERTYB	1.000 EA
36FH2000A01	FAN COVER MACH	1.000 EA
51XW1032A08	10/32X1/2 HXWSHR HD, SL, SERATED	4.000 EA
37CB1502A01	CONDUIT BOX LID-MACH-EXPL.PROOF-GROUP "C	1.000 EA
RM1020A42	O-RING, -154 BUNA-N, .103 CS X 3.737 ID	1.000 EA

Parts List (continued)		
Part Number	Description	Quantity
HW2501E16	3KEY, 1/4 SQ X 1.750	1.000 EA
HA7000A02	KEY RETAINER RING, 1 1/8 DIA, 1 3/8 DIA	1.000 EA
85XU0407S04	4X1/4 U DRIVE PIN STAINLESS	6.000 EA
LB1359F	ALUM XP CAUTION LABEL	1.000 EA
LB9002A50	CMC-5000 BRADY WIRE MARK	1.000 EA
MJ1000A02	GREASE, POLYREX EM EXXON (USe 4824-15A)	0.050 LB
MG1025G29	WILKOFASST, 789.229, DARK CHARCOAL GRAY	0.022 GA
HA3105A09	THRUBOLT 3/8-16 X 12.000	4.000 EA
LB1119N	WARNING LABEL	1.000 EA
LC0145B01	CONNECTION LABEL	1.000 EA
NP0977XPSLEV	SS XP UL CSA-EEV CC CL-I GP-C&D	1.000 EA
G0PA1000	PKG GRP, PRINT PK1026A06	1.000 EA
PK3082	STYROFOAM CRADLE	1.000 EA
MN416A01	TAG-INSTAL-MAINT no wire (1200/bx) 11/14	1.000 EA

AC Induction Motor Performance Data

Record # 32662 - Typical performance - not guaranteed values

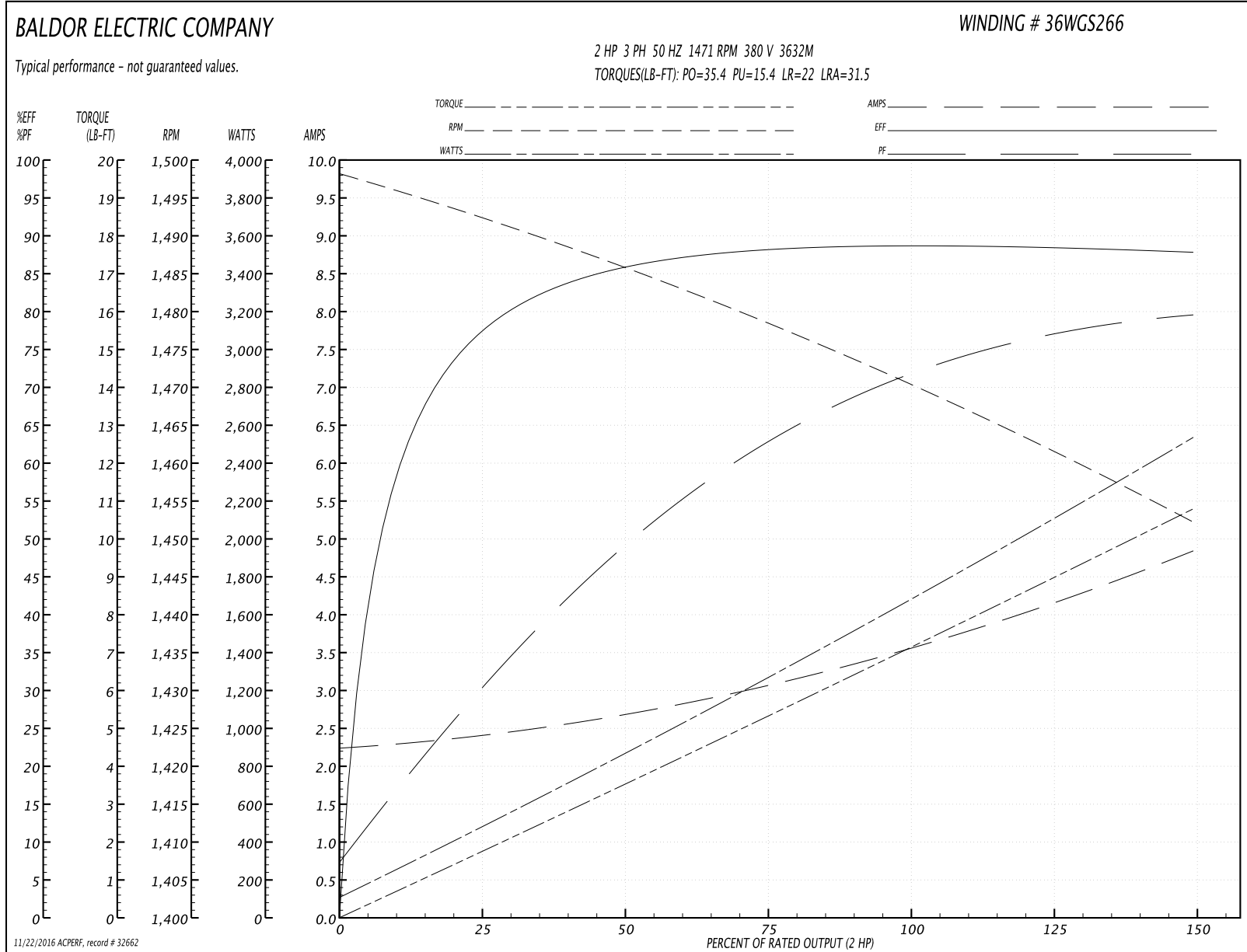
Winding: 36WGS266-R004	Type: 3632M	Enclosure: XPFC
-------------------------------	--------------------	------------------------

Nameplate Data				380 V, 50 Hz: High Voltage Connection	
Rated Output (HP)	3//2			Full Load Torque	7.04 LB-FT
Volts	230/460//190/380			Start Configuration	direct on line
Full Load Amps	8.4/4.2//7.2/3.6			Breakdown Torque	35.4 LB-FT
R.P.M.	1760//1460			Pull-up Torque	15.4 LB-FT
Hz	60//50	Phase	3	Locked-rotor Torque	22 LB-FT
NEMA Design Code	B	KVA Code	K	Starting Current	31.5 A
Service Factor (S.F.)	1.15			No-load Current	2.26 A
NEMA Nom. Eff.	89.5	Power Factor	75	Line-line Res. @ 25°C	3.81 Ω
Rating - Duty	40C AMB-CONT			Temp. Rise @ Rated Load	35°C
S.F. Amps				Temp. Rise @ S.F. Load	41°C
				Locked-rotor Power Factor	46.9
				Rotor inertia	0.298 LB-FT ²

Load Characteristics 380 V, 50 Hz, 2 HP

% of Rated Load	25	50	75	100	125	150	S.F.
Power Factor	30	49	63	71	77	80	74
Efficiency	76.9	85.4	88.1	88.7	88.9	87.7	88.6
Speed	1493	1486	1478	1471	1462	1452	1463
Line amperes	2.38	2.65	3.07	3.55	4.16	4.83	3.96

Performance Graph at 380V, 50Hz, 2.0HP Typical performance - Not guaranteed values



AC Induction Motor Performance Data

Record # 33191 - Typical performance - not guaranteed values

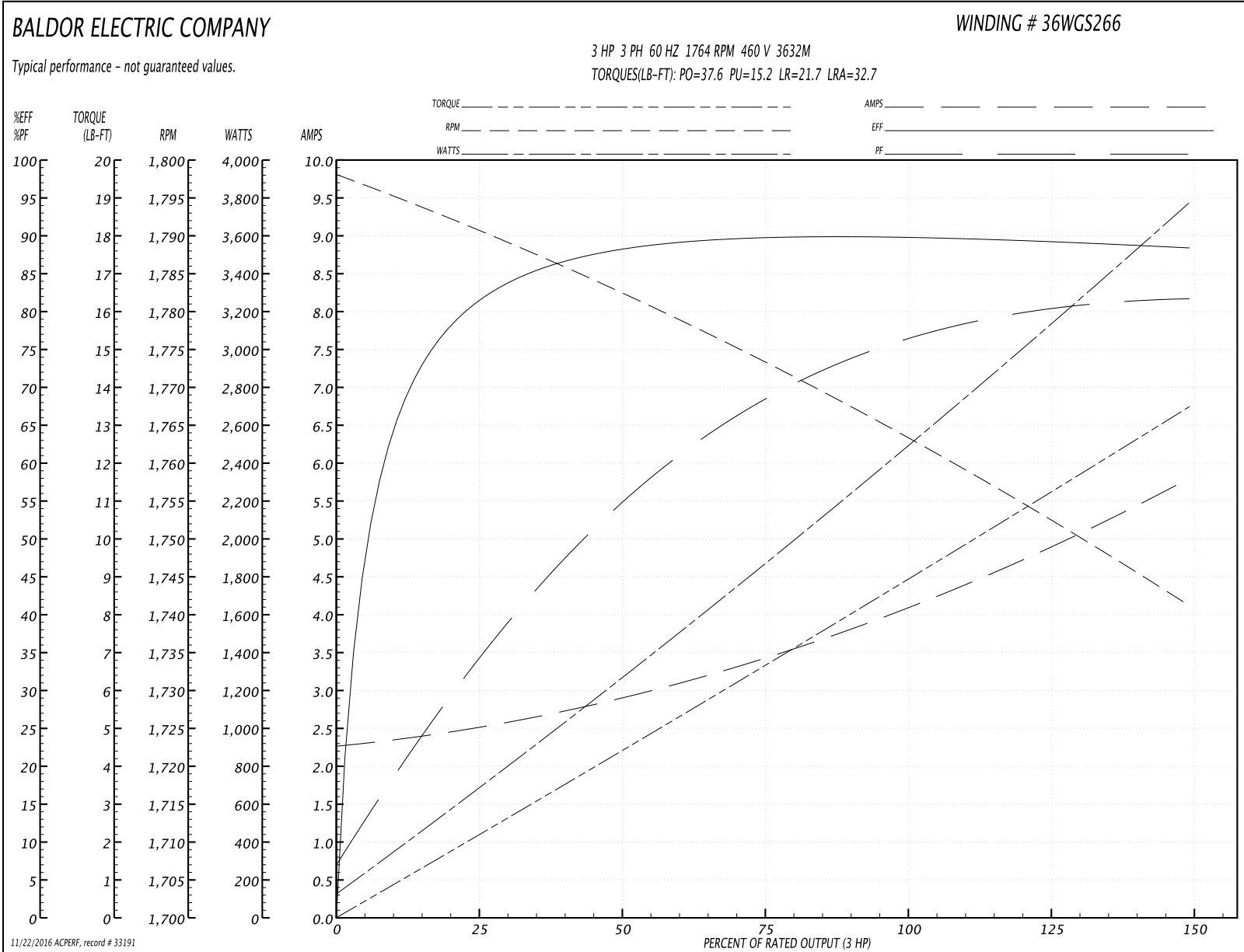
Winding: 36WGS266-R004	Type: 3632M	Enclosure: XPFC
-------------------------------	--------------------	------------------------

Nameplate Data				460 V, 60 Hz: High Voltage Connection	
Rated Output (HP)	3//2			Full Load Torque	8.8 LB-FT
Volts	230/460//190/380			Start Configuration	direct on line
Full Load Amps	8.4/4.2//7.2/3.6			Breakdown Torque	37.6 LB-FT
R.P.M.	1760//1460			Pull-up Torque	15.2 LB-FT
Hz	60//50	Phase	3	Locked-rotor Torque	21.7 LB-FT
NEMA Design Code	B	KVA Code	K	Starting Current	32.7 A
Service Factor (S.F.)	1.15			No-load Current	2.3 A
NEMA Nom. Eff.	89.5	Power Factor	75	Line-line Res. @ 25°C	3.81 Ω
Rating - Duty	40C AMB-CONT			Temp. Rise @ Rated Load	44°C
S.F. Amps				Temp. Rise @ S.F. Load	52°C
				Locked-rotor Power Factor	42.2
				Rotor inertia	0.298 LB-FT ²

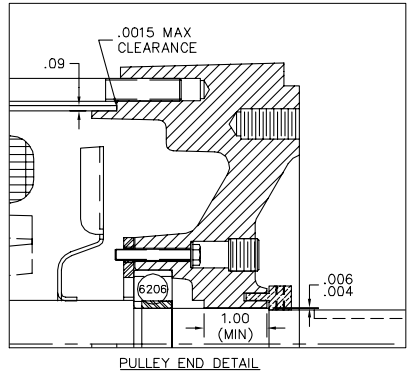
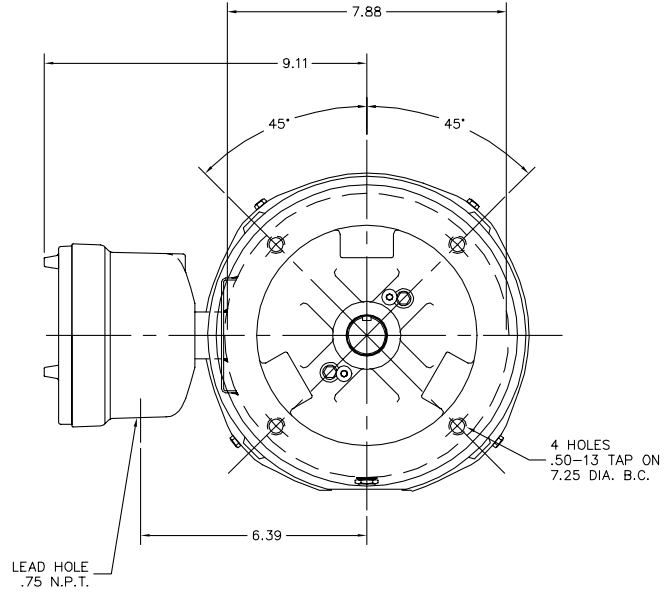
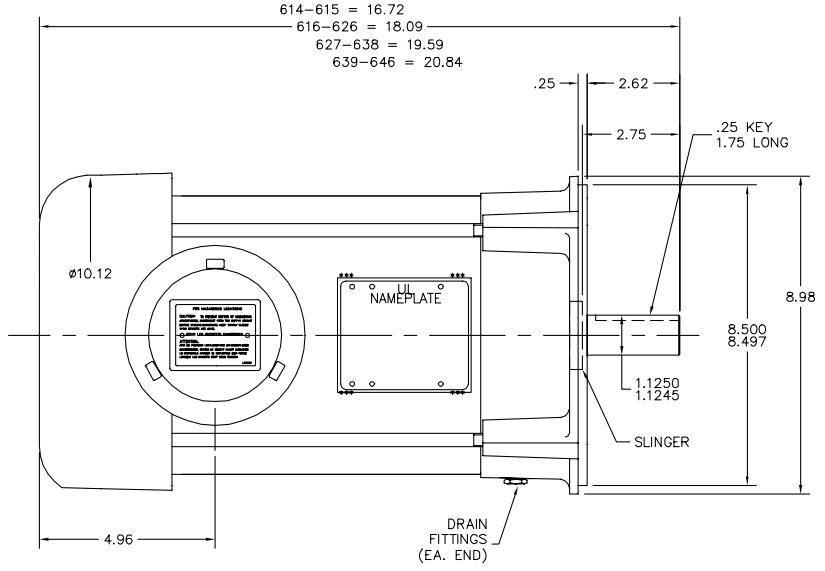
Load Characteristics 460 V, 60 Hz, 3 HP

% of Rated Load	25	50	75	100	125	150	S.F.
Power Factor	35	55	68	75	80	82	77
Efficiency	81.1	87.8	89.6	89.8	89.7	88.2	89.2
Speed	1791	1783	1773	1764	1753	1741	1754
Line amperes	2.47	2.85	3.43	4.09	4.89	5.78	4.63

Performance Graph at 460V, 60Hz, 3.0HP Typical performance - Not guaranteed values



36LYM654



CUSTOMER IS RESPONSIBLE FOR DETERMINING THAT BALDOR'S PRODUCT WILL PERFORM SUITABLY IN THE INTENDED APPLICATION.

REV. DESC: UPDATE DESCRIPTION AND CORRECT LAYOUT GRAPHICS		
REV. LTR: C	VERSION: 03	TDR: 000000916846
FILE: \AAA\00152\788	REVISED: 12:37:03 04/14/2015	BY: ENSHARO
MTL: -		

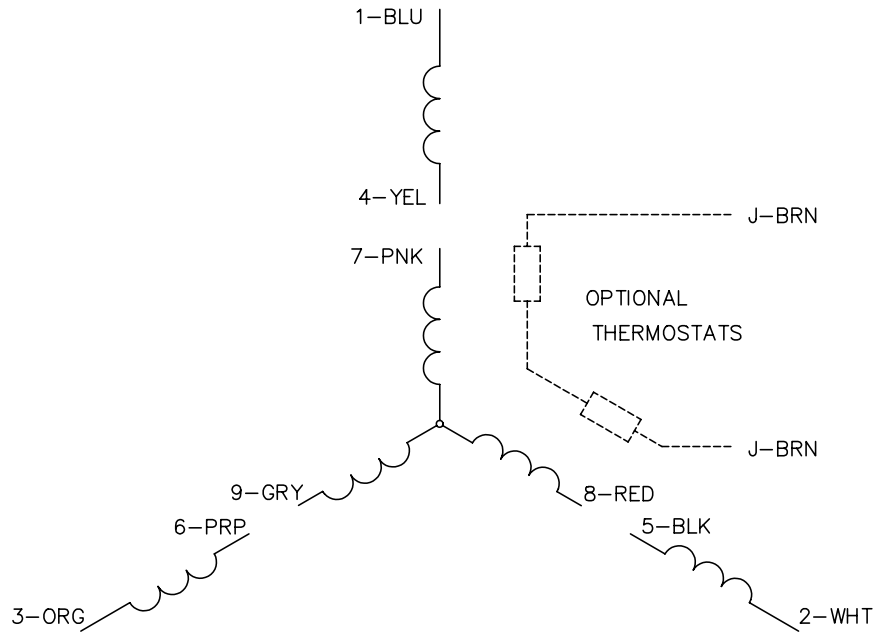
BALDOR

VER 182-4TC XPFC M CLI GP C&D, DRILL RIG, METAL SLINGER

SH 1 of 1

36LYM654

CD0005

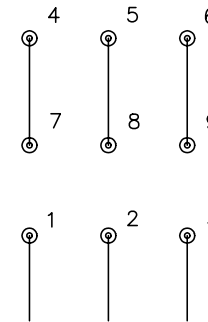


LOW VOLTAGE
(2Y)



LINE

HIGH VOLTAGE
(1Y)



LINE

NOTES:

1. INTERCHANGE ANY TWO LINE LEADS TO REVERSE ROTATION.
2. OPTIONAL THERMOSTATS ARE PROVIDED WHEN SPECIFIED.
3. ACTUAL NUMBER OF INTERNAL PARALLEL CIRCUITS MAY BE A MULTIPLE OF THOSE SHOWN ABOVE.
4. LEAD COLORS ARE OPTIONAL. LEADS MUST ALWAYS BE NUMBERED AS SHOWN.

REV. DESC: REVISE TO SHOW OPTIONAL COLORS			
REV. LTR: E	BY: JLP	REVISED: 01/19/99 10:15	TDR: 0171435
900000		FILE: AAA00005140	MDL: -
		MTL: -	

BALDOR ELECTRIC Co.

3PH, DV, 9 LEADS

CD0005