

BALDOR® • *RELIANCE*

Product Information Packet

VESWDM3554T

1.5HP, 1755RPM, 3PH, 60HZ, 145TC, 3533M, TENV

Part Detail							
Revision:	F	Status:	PRD/A	Change #:		Proprietary:	No
Type:	AC	Prod. Type:	3533M	Elec. Spec:	35WGM613	CD Diagram:	CD0005
Enclosure:	TENV	Mfg Plant:		Mech. Spec:	35SS620	Layout:	35LYSS620
Frame:	145TC	Mounting:	F1	Poles:	04	Created Date:	09-04-2012
Base:	N	Rotation:	R	Insulation:	F	Eff. Date:	08-24-2016
Leads:	9#18					Replaced By:	
Literature:		Elec. Diagram:					

Nameplate NP1669L										
CAT.NO.	VESWDM3554T									
SPEC.	35SS620M613G1									
HP	1.5									
VOLTS	230/460									
AMP	4.2/2.1									
RPM	1755									
FRAME	145TC				HZ	60			PH	3
SER.F.	1.15		CODE	K	DES	B		CLASS	F	
NEMA-NOM-EFF	86.5		PF	76						
RATING	40C AMB-CONT									
CC	010A				USABLE AT 208V			4.4		
DE	6205				ODE	6203				
ENCL	TENV		SN							
BLANK										

Parts List		
Part Number	Description	Quantity
SA250486	SA 35SS620M613G1	1.000 EA
RA237340	RA 35SS620M613G1	1.000 EA
NS2512A01	INSULATOR, CONDUIT BOX X	1.000 EA
35CB5001A21	CONDUIT BOX KIT, FOR SUPER II WASHDOWN	1.000 EA
11XW1032G06	10-32 X .38, TAPTITE II, HEX WSHR SLTD U	1.000 EA
35EP3100M72MU	SPL FR EP-ENCL-203 BRG-DIE CAST ALUM(BAL	1.000 EA
HW4500A33	1/8 NPT STAINLESS,HOLO-KROME #13002,PRES	3.000 EA
HW5100A03SP	WAVY WASHER (W1543-017)	1.000 EA
35EP3300A75MU	PU E.P., CAST-FACE MTD-56C-205 BRG(BALL	1.000 EA
HW4500A33	1/8 NPT STAINLESS,HOLO-KROME #13002,PRES	3.000 EA
HW4606A02	JM CLIPPER/SEAL (LWE-0938-1624-AL23)	1.000 EA
12XN1032S20	10-32 X 1-1/4 HEX M.S. , STAINLESS STEEL	2.000 EA
HA1049A01	DUBO LOK WASHER SIZE 10 (NYLON LOCK SEAL	2.000 EA
HA1049A01	DUBO LOK WASHER SIZE 10 (NYLON LOCK SEAL	4.000 EA
HW2502D13	SS KEY, 3/16 SQ X 1.375	1.000 EA
HA7000A01	KEY RETAINER 7/8" DIA SHAFT	1.000 EA
MJ5001A02	732 CL SEALANT 3 OZ DIXIE BEARING 289100	0.001 EA
85XU0407S04	4X1/4 U DRIVE PIN STAINLESS	2.000 EA
LB1164	LABEL,WARNING AND DRAIN	1.000 EA
HA5027A04	HA4054 T-DRAIN X2 BAGGED	1.000 EA
MJ1000A02	GREASE, POLYREX EM EXXON (USe 4824-15A)	0.050 LB
HA3100S25	THRUBOLT 10-32 X 9.500 SS TDR #23687	4.000 EA
LC0005	CONN.DIA.,TY M,9-LD,DUAL VOLT,REVERSING	1.000 EA
NP1669L	SS WD SUPER-E UL CSA-EEV PREM REV MTG	1.000 EA

Parts List (continued)		
Part Number	Description	Quantity
35PA1066	PKG GRP, PRINT PK1008A06	1.000 EA
PK3082	STYROFOAM CRADLE	1.000 EA
MN416A01	TAG-INSTAL-MAINT no wire (1200/bx) 11/14	1.000 EA

AC Induction Motor Performance Data

Record # 52498 - Typical performance - not guaranteed values

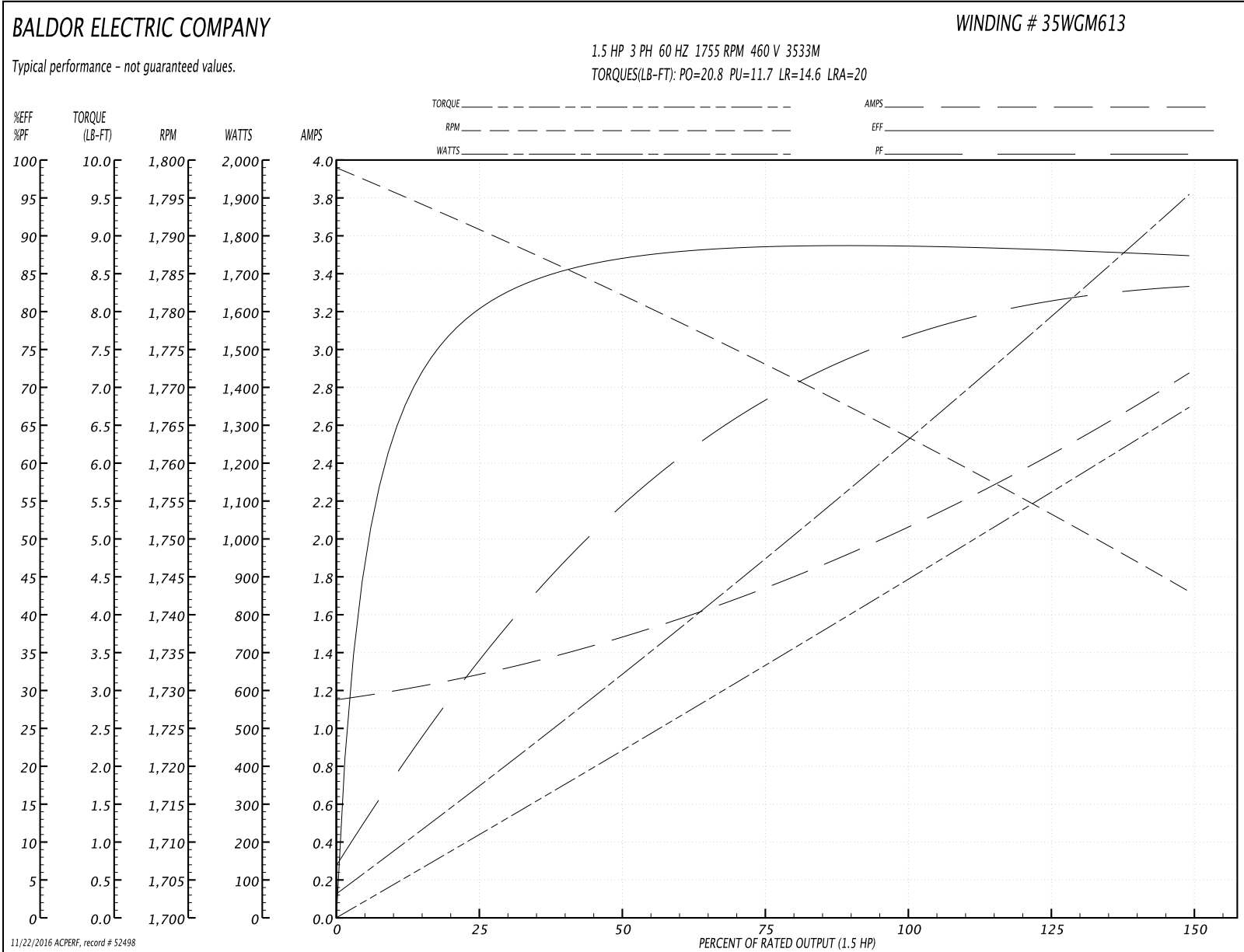
Winding: 35WGM613-R012	Type: 3533M	Enclosure: TENV
-------------------------------	--------------------	------------------------

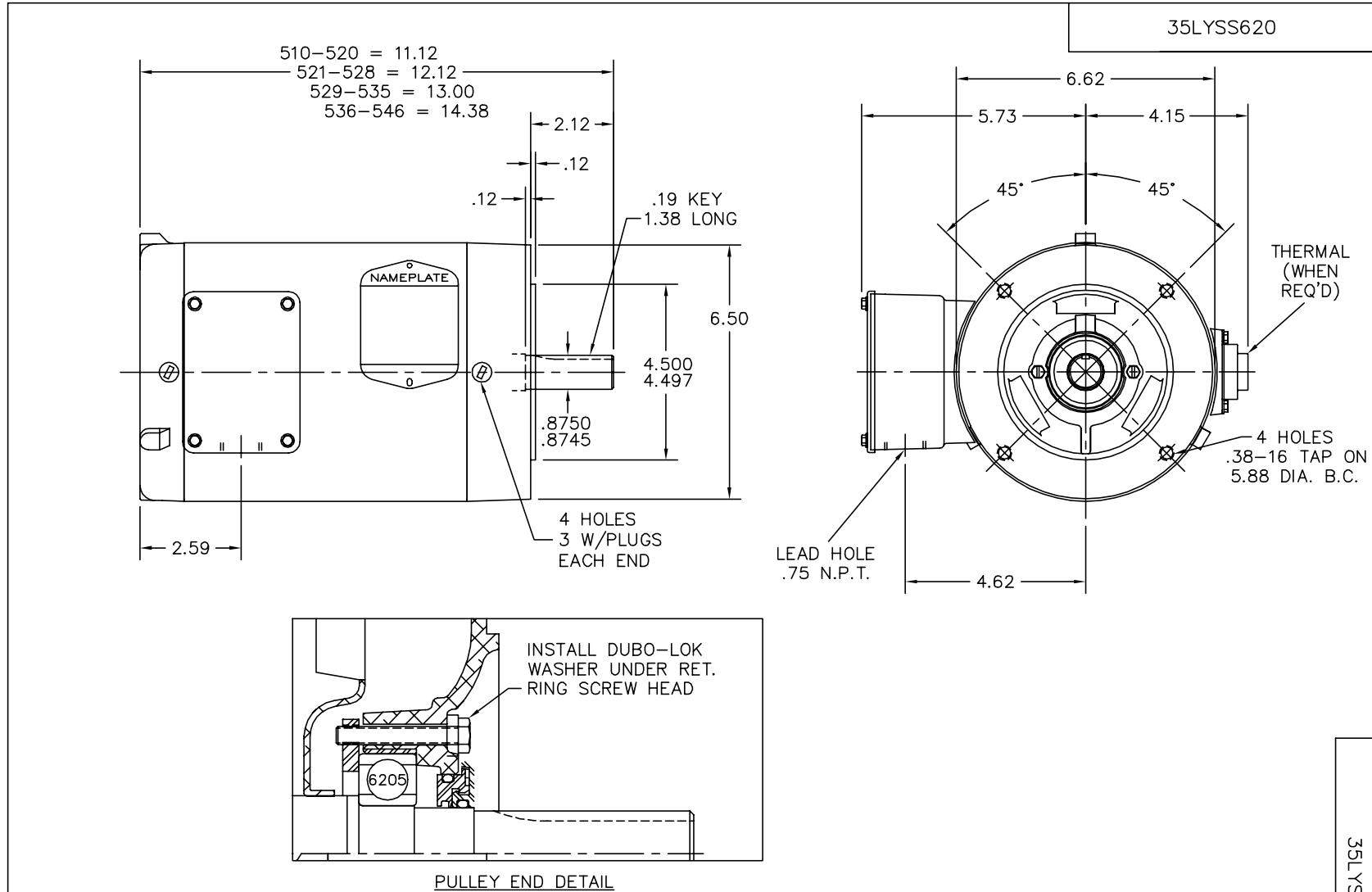
Nameplate Data				460 V, 60 Hz: High Voltage Connection	
Rated Output (HP)	1.5			Full Load Torque	4.45 LB-FT
Volts	230/460			Start Configuration	direct on line
Full Load Amps	4.2/2.1			Breakdown Torque	20.8 LB-FT
R.P.M.	1755			Pull-up Torque	11.7 LB-FT
Hz	60	Phase	3	Locked-rotor Torque	14.6 LB-FT
NEMA Design Code	B	KVA Code	K	Starting Current	20 A
Service Factor (S.F.)	1.15			No-load Current	1.17 A
NEMA Nom. Eff.	86.5	Power Factor	76	Line-line Res. @ 25°C	8 Ω
Rating - Duty	40C AMB-CONT			Temp. Rise @ Rated Load	77°C
S.F. Amps				Temp. Rise @ S.F. Load	90°C
				Locked-rotor Power Factor	46
				Rotor inertia	0.195 LB-FT ²

Load Characteristics 460 V, 60 Hz, 1.5 HP

% of Rated Load	25	50	75	100	125	150	S.F.
Power Factor	35	54	68	76	81	84	79
Efficiency	80.5	87.1	88.3	88.8	88.3	87.4	88.5
Speed	1791	1782	1773	1764	1753	1743	1757
Line amperes	1.26	1.46	1.76	2.07	2.45	2.87	2.3

Performance Graph at 460V, 60Hz, 1.5HP Typical performance - Not guaranteed values





CUSTOMER IS RESPONSIBLE FOR DETERMINING THAT BALDOR'S PRODUCT WILL PERFORM SUITABLY IN THE INTENDED APPLICATION.

REV. DESC: REVISE LEADERS & DESCRIPTION			BALDOR
REV. LTR: A	VERSION: 01	TDR: 000000769704	
FILE: \AAA\00194\625		REVISED: 09:52:16 10/19/2012	VERT 143-5TC TENV 35M WD2 (PAINT FREE) W/.75 NOT LEAD HOLE
MTL: -		BY: ENJESMO	SH 1 of 1

35LYSS620

CD0005

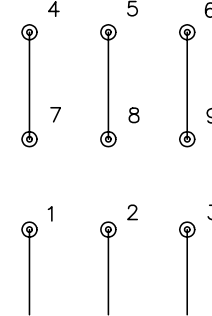


LOW VOLTAGE
(2Y)



LINE

HIGH VOLTAGE
(1Y)



LINE

NOTES:

1. INTERCHANGE ANY TWO LINE LEADS TO REVERSE ROTATION.
2. OPTIONAL THERMOSTATS ARE PROVIDED WHEN SPECIFIED.
3. ACTUAL NUMBER OF INTERNAL PARALLEL CIRCUITS MAY BE A MULTIPLE OF THOSE SHOWN ABOVE.
4. LEAD COLORS ARE OPTIONAL. LEADS MUST ALWAYS BE NUMBERED AS SHOWN.

REV. DESC: REVISE TO SHOW OPTIONAL COLORS

REV. LTR: E BY: JLP

REVISED: 01/19/99 10:15

TDR: 0171435

9000D

FILE: AAA00005140

MDL: -

MTL: -

BALDOR ELECTRIC Co.

3PH, DV, 9 LEADS

CD0005