

BALDOR® • *RELIANCE*

Product Information Packet

VESWDM3558T

2HP, 1755RPM, 3PH, 60HZ, 145TC, 3536M, TEFC, F1

Part Detail							
Revision:	D	Status:	PRD/A	Change #:		Proprietary:	No
Type:	AC	Prod. Type:	3536M	Elec. Spec:	35WGP883	CD Diagram:	CD0005
Enclosure:	TEFC	Mfg Plant:		Mech. Spec:	35SS623	Layout:	35LYSS623
Frame:	145TC	Mounting:	F1	Poles:	04	Created Date:	09-04-2012
Base:	N	Rotation:	R	Insulation:	F	Eff. Date:	06-08-2016
Leads:	9#18					Replaced By:	
Literature:		Elec. Diagram:					

Nameplate NP1669L										
CAT.NO.	VESWDM3558T									
SPEC.	35SS623P883G1									
HP	2									
VOLTS	230/460									
AMP	5.6/2.8									
RPM	1755									
FRAME	145TC					HZ	60		PH	3
SER.F.	1.15					CODE	M		DES	B
NEMA-NOM-EFF	88.5					PF	76		CLASS	F
RATING	40C AMB-CONT									
CC	010A							USABLE AT 208V	5.9	
DE	6205					ODE	6203			
ENCL	TEFC					SN				
BLANK										

Parts List		
Part Number	Description	Quantity
SA250485	SA 35SS623P883G1	1.000 EA
RA237339	RA 35SS623P883G1	1.000 EA
35FN3002A05	EXFN, PLASTIC, 6.376 OD, .638 ID	1.000 EA
NS2512A01	INSULATOR, CONDUIT BOX X	1.000 EA
35CB5001A21	CONDUIT BOX KIT, FOR SUPER II WASHDOWN	1.000 EA
11XW1032G06	10-32 X .38, TAPTITE II, HEX WSHR SLTD U	1.000 EA
35EP3100M08MU	FREP TEFC 203 BRG NO GRSSR, BALL BURNISH	1.000 EA
HW4500A33	1/8 NPT STAINLESS,HOLO-KROME #13002,PRES	3.000 EA
HW5100A03SP	WAVY WASHER (W1543-017)	1.000 EA
35EP3300A75MU	PU E.P., CAST-FACE MTD-56C-205 BRG(BALL	1.000 EA
HW4500A33	1/8 NPT STAINLESS,HOLO-KROME #13002,PRES	3.000 EA
HW4606A02	JM CLIPPER/SEAL (LWE-0938-1624-AL23)	1.000 EA
12XN1032S20	10-32 X 1-1/4 HEX M.S. , STAINLESS STEEL	2.000 EA
HA1049A01	DUBO LOK WASHER SIZE 10 (NYLON LOCK SEAL	4.000 EA
HA1049A01	DUBO LOK WASHER SIZE 10 (NYLON LOCK SEAL	2.000 EA
35FH4005A53	IEC FH NO GREASER (CLEAN ONLY)	1.000 EA
11XW1032S06	SCREW, HXWSHR HD SLDTYF 410 SS	3.000 EA
HW4600B39SP	V-RING SLINGER 0.550 X 0.790 X .18 VITON	1.000 EA
HW2502D13	SS KEY, 3/16 SQ X 1.375	1.000 EA
HA7000A01	KEY RETAINER 7/8" DIA SHAFT	1.000 EA
MJ5001A02	732 CL SEALANT 3 OZ DIXIE BEARING 289100	0.001 EA
85XU0407S04	4X1/4 U DRIVE PIN STAINLESS	2.000 EA
LB1164	LABEL,WARNING AND DRAIN	1.000 EA
HA5027A04	HA4054 T-DRAIN X2 BAGGED	1.000 EA

Parts List (continued)		
Part Number	Description	Quantity
MJ1000A02	GREASE, POLYREX EM EXXON (USe 4824-15A)	0.050 LB
51XB1214A16	12-14X1.00 HXWSSLD SERTYB	1.000 EA
HA3100S26	THRUBOLT 10X32 X 10.875	4.000 EA
LC0005	CONN.DIA.,TY M,9-LD,DUAL VOLT,REVERSING	1.000 EA
NP1669L	SS WD SUPER-E UL CSA-EEV PREM REV MTG	1.000 EA
36PA1000	PKG GRP, PRINT PK1016A06	1.000 EA
PK3082	STYROFOAM CRADLE	1.000 EA
MN416A01	TAG-INSTAL-MAINT no wire (1200/bx) 11/14	1.000 EA

AC Induction Motor Performance Data

Record # 57391 - Typical performance - not guaranteed values

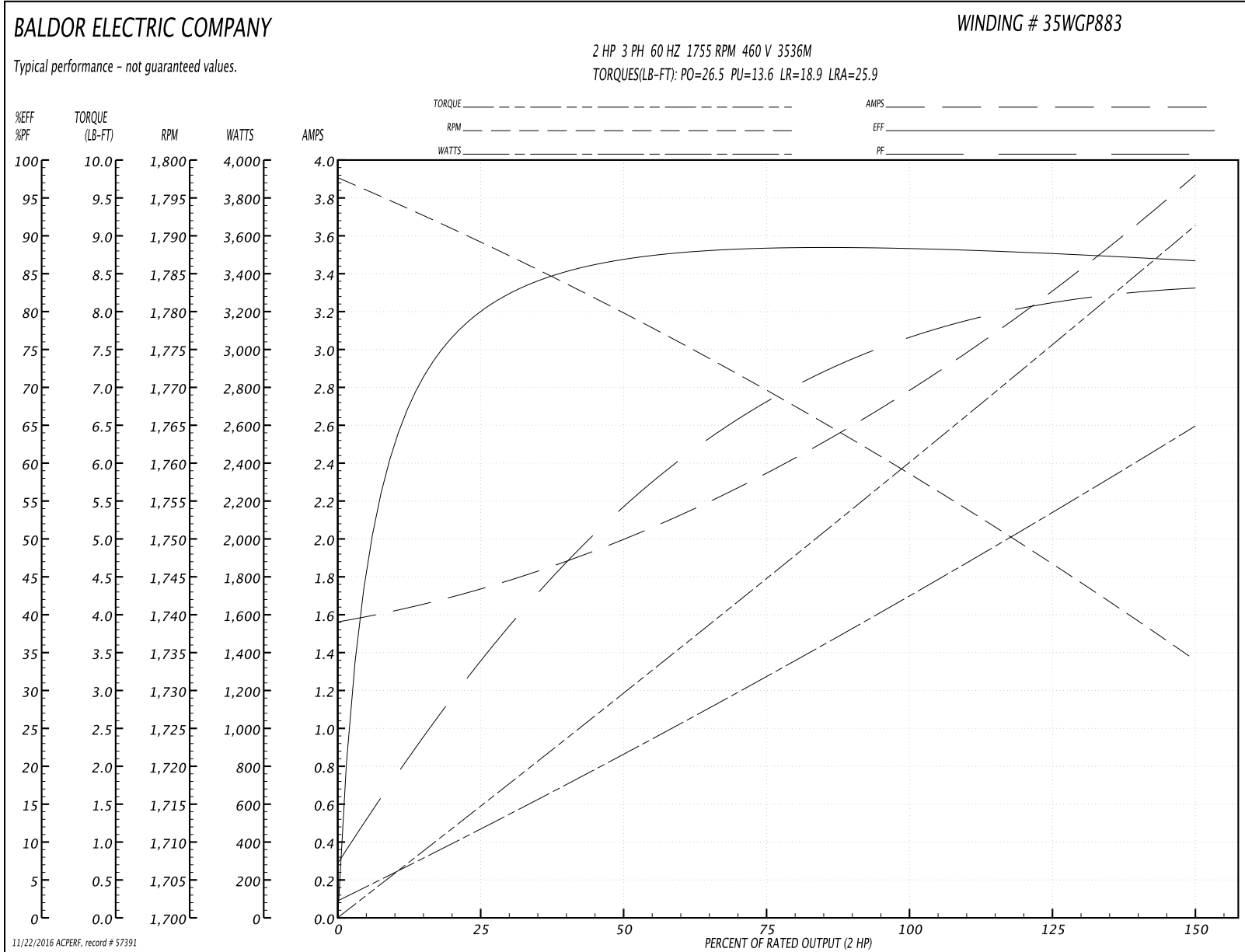
Winding: 35WGP883-R006	Type: 3536M	Enclosure: TEFC
-------------------------------	--------------------	------------------------

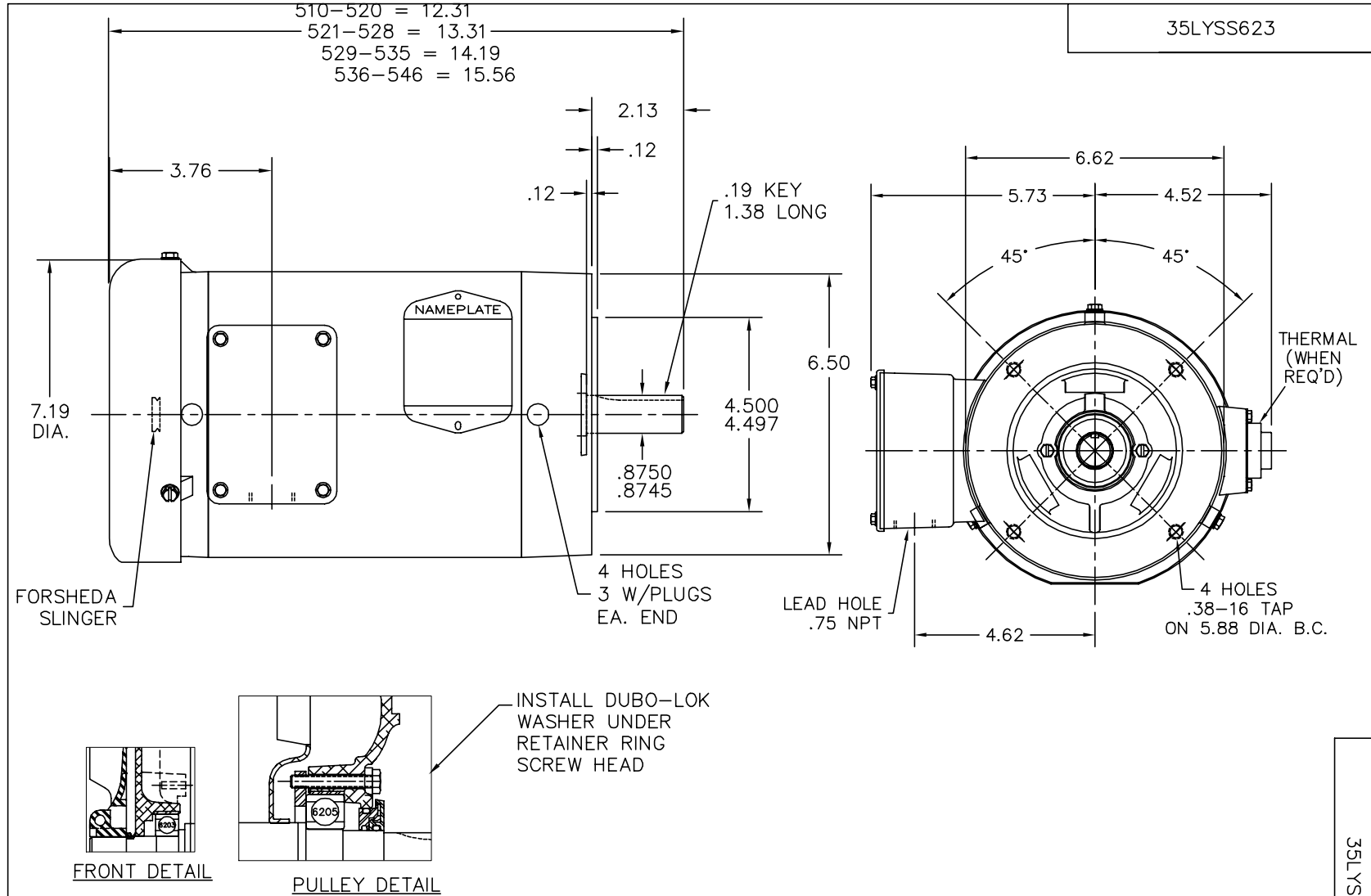
Nameplate Data				460 V, 60 Hz: High Voltage Connection	
Rated Output (HP)	2			Full Load Torque	5.934 LB-FT
Volts	230/460			Start Configuration	direct on line
Full Load Amps	5.6/2.8			Breakdown Torque	26.5 LB-FT
R.P.M.	1755			Pull-up Torque	13.6 LB-FT
Hz	60	Phase	3	Locked-rotor Torque	18.9 LB-FT
NEMA Design Code	B	KVA Code	M	Starting Current	25.9 A
Service Factor (S.F.)	1.15			No-load Current	1.59 A
NEMA Nom. Eff.	88.5	Power Factor	76	Line-line Res. @ 25°C	6.7876 Ω
Rating - Duty	40C AMB-CONT			Temp. Rise @ Rated Load	46°C
S.F. Amps				Temp. Rise @ S.F. Load	55°C
				Locked-rotor Power Factor	46
				Rotor inertia	0.213 LB-FT ²

Load Characteristics 460 V, 60 Hz, 2 HP

% of Rated Load	25	50	75	100	125	150	S.F.
Power Factor	34	55	67	76	81	84	79
Efficiency	79.4	86.8	88.3	88.5	87.8	86.7	88.1
Speed	1788.9	1780	1770	1759.1	1747.2	1733.9	1752
Line amperes	1.7	1.97	2.35	2.78	3.31	3.9	3.1

Performance Graph at 460V, 60Hz, 2.0HP Typical performance - Not guaranteed values





CUSTOMER IS RESPONSIBLE FOR DETERMINING THAT BALDOR'S PRODUCT WILL PERFORM SUITABLY IN THE INTENDED APPLICATION.

REV. DESC: CHG ODE SLINGER TO FORSHEDA		
REV. LTR: A	VERSION: 01	TDR: 000000801533
FILE: \AAA\00194\623		REVISED: 03:38:56 05/28/2013
MTL: -		BY: ENADAFO

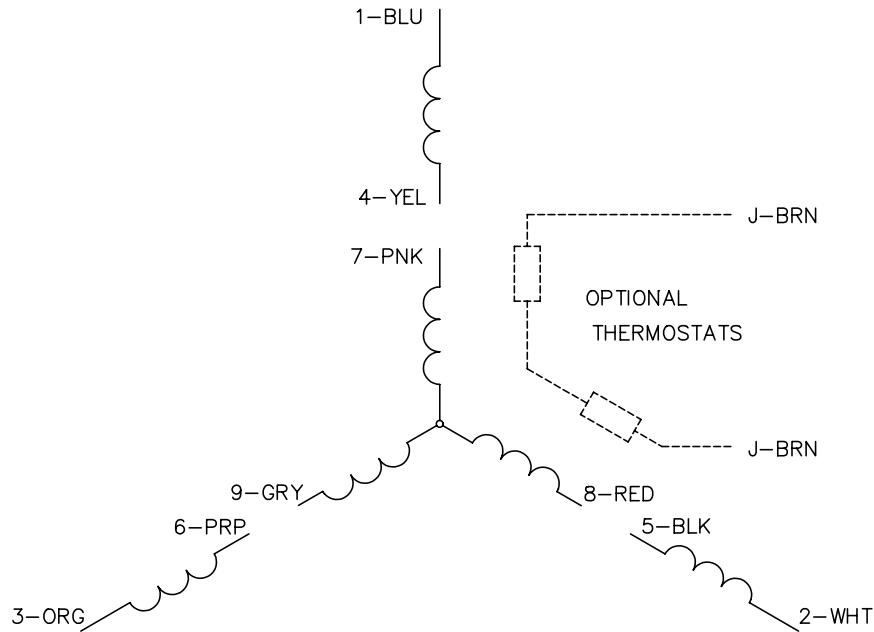
BALDOR

VERT 143-5TC TEFC 35M WD2 W/LEAD HOLE .75 NPT

SH 1 of 1

35LYSS623

CD0005

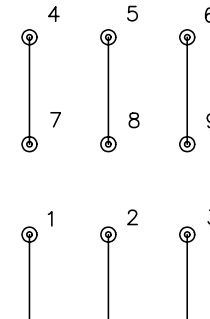


LOW VOLTAGE
(2Y)



LINE

HIGH VOLTAGE
(1Y)



LINE

NOTES:

1. INTERCHANGE ANY TWO LINE LEADS TO REVERSE ROTATION.
2. OPTIONAL THERMOSTATS ARE PROVIDED WHEN SPECIFIED.
3. ACTUAL NUMBER OF INTERNAL PARALLEL CIRCUITS MAY BE A MULTIPLE OF THOSE SHOWN ABOVE.
4. LEAD COLORS ARE OPTIONAL. LEADS MUST ALWAYS BE NUMBERED AS SHOWN.

REV. DESC: REVISE TO SHOW OPTIONAL COLORS			
REV. LTR: E	BY: JLP	REVISED: 01/19/99 10:15	TDR: 0171435
900000		FILE: AAA00005140	MDL: -
		MTL: -	

BALDOR ELECTRIC Co.

3PH, DV, 9 LEADS

CD0005