

BALDOR® • *RELIANCE*

Product Information Packet

VRBM3554T

1.5HP, 1700RPM, 3PH, 60HZ, 145TC, 7530M, TEFC

Part Detail							
Revision:	Q	Status:	PRD/A	Change #:		Proprietary:	No
Type:	AC	Prod. Type:	7530M	Elec. Spec:	75WGW061	CD Diagram:	CD0005
Enclosure:	TEFC	Mfg Plant:		Mech. Spec:	75J035	Layout:	75LYJ035
Frame:	145TC	Mounting:	F1	Poles:	04	Created Date:	09-05-2007
Base:	N	Rotation:	R	Insulation:	F	Eff. Date:	07-07-2016
Leads:	9#18					Replaced By:	
Literature:		Elec. Diagram:					

Nameplate NP1256L										
CAT.NO.	VRBM3554T									
SPEC.	75J035W061G1									
HP	1.5									
VOLTS	230/460									
AMP	4.6/2.3									
RPM	1700									
FRAME	145TC				HZ	60			PH	3
SER.F.	1.15		CODE	J	DES	D		CLASS	F	
NEMA-NOM-EFF	82.5		PF	75						
RATING	40C AMB-CONT									
CC									USABLE AT 208V	
DE	6205				ODE	6205				
ENCL	TEFC			SN						

Parts List		
Part Number	Description	Quantity
SA162556	SA 75J035W061G1	1.000 EA
RA151082	RA 75J035W061G1	1.000 EA
NS2512A01	INSULATOR, CONDUIT BOX X	1.000 EA
75CB3000A04	COND BOX FOR 75SF2000 (REL# 7932952C)	1.000 EA
51XT1032A10	10-32X.62 HX SLD WASHER TAPP SERRATED	3.000 EA
WD4100A01	DP-875 HEYCO PLUG OR 62MP0875 MICRO PLAS	1.000 EA
51XN0832A16	8-32 X 1.00 HEX SLOT WSHR HD MACH SCREW	1.000 EA
XY0832A02	8-32 HEX NUT	1.000 EA
HW1001A08	WASHER, #8 SPLT LK, ZN	1.000 EA
11XW1032G06	10-32 X .38, TAPTITE II, HEX WSHR SLTD U	1.000 EA
HW3001B01	BRASS CUP WASHER, FOR #8 SCREW	1.000 EA
HW5100A05	WVY WSHR F/205 & 304 BRGS	1.000 EA
35EP3300A33	SPL FACE MTD EP -ENCL-205 BRG	1.000 EA
51XN1032A20	10-32 X 1 1/4 HX WS SL SR	2.000 EA
HW1001A10	WASHER, #10 SPLT LK, ZN X	4.000 EA
BR2003D01	SPLINED HUB 7/8 W/O KEY	1.000 EA
WD4006A01	WIRE JOINT,T&B RB-4 OR RB-44	1.000 EA
35FN3003A02	EXFN, PLASTIC, 5.88 OD, .876 ID (REL)	1.000 EA
35FH4007A01	FAN COVER FOR SHORT SERIES BRAKE, PRIMER	1.000 EA
51XW1032A06	10-32 X .38, TAPTITE II, HEX WSHR SLTD S	4.000 EA
35CB4518	CB LIPPED LID,PRIMED,REL# 7932915D	1.000 EA
51XW0832A07	8-32 X .44, TAPTITE II, HEX WSHR SLTD SE	2.000 EA
HW2501D13	KEY, 3/16 SQ X 1.375	1.000 EA
HW2501D13	KEY, 3/16 SQ X 1.375	1.000 EA

Parts List (continued)		
Part Number	Description	Quantity
HA7000A04	KEY RETAINER 0.625 DIA SHAFTS	1.000 EA
85XU0407S04	4X1/4 U DRIVE PIN STAINLESS	2.000 EA
LB1418	INTEGRAL BRK ADJ LABEL (REL# 41171617A)	1.000 EA
MJ1000A02	GREASE, POLYREX EM EXXON (USe 4824-15A)	0.050 LB
MG1000G27	MED CHARCOAL METALLIC GREY 400-0096	0.017 GA
HA3100A71	THRUBOLT 10-32 X 9.500	4.000 EA
43BK0300B02	SSB-10-230/460 (205)L-HUB	1.000 EA
031389	Dodge FAST RESp. KIT 230/460V	1.000 EA
LC0005E01	CONN.DIA./WARNING LABEL (LC0005/LB1119N)	1.000 EA
NP1256L	ALUM UL CSA CC	1.000 EA
G7PA1000	PKG GRP, PRINT PK1034A06	1.000 EA
PK3082	STYROFOAM CRADLE	1.000 EA

AC Induction Motor Performance Data

Record # 26789 - Typical performance - not guaranteed values

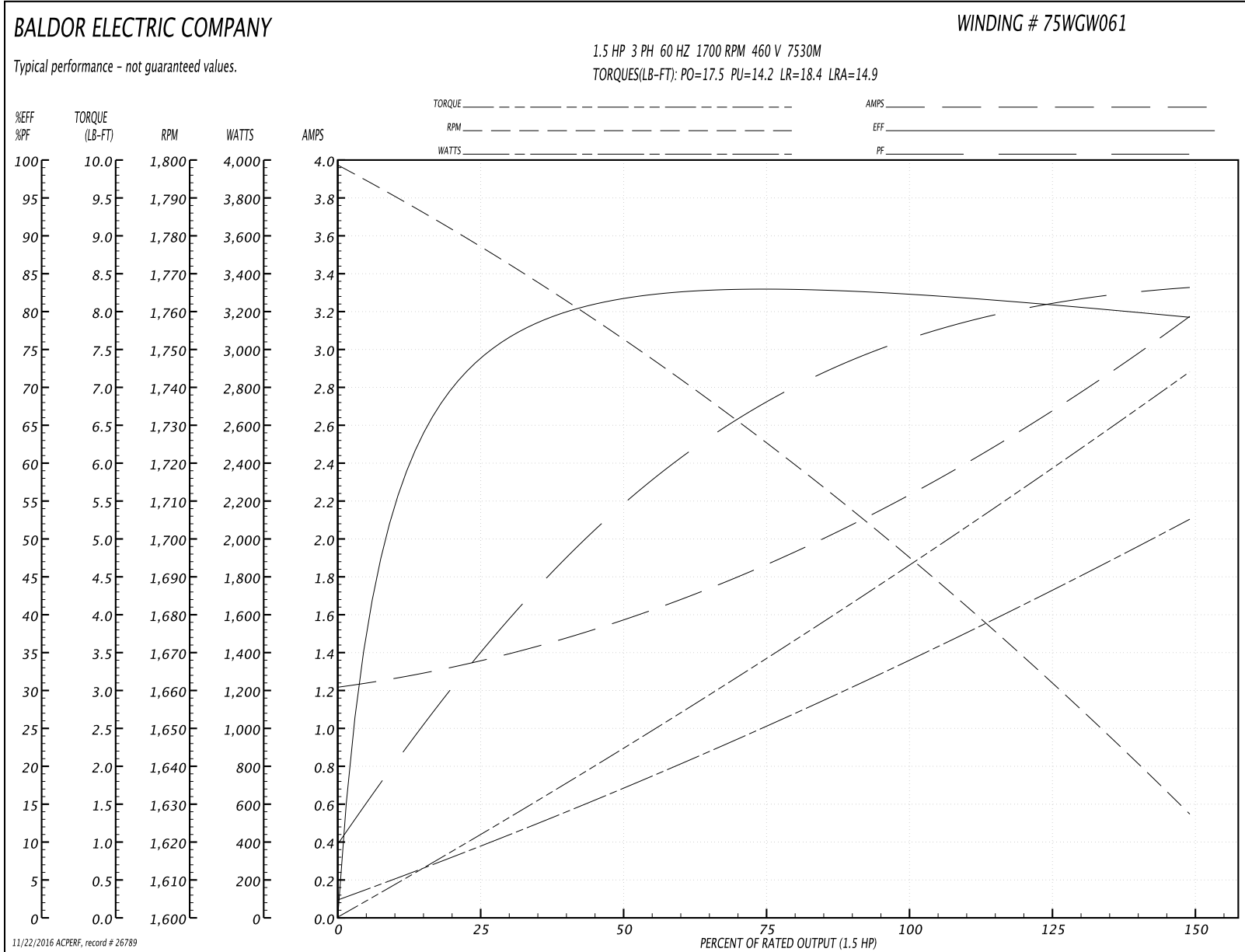
Winding: 75WGW061-R001	Type: 7530M	Enclosure: TEFC
-------------------------------	--------------------	------------------------

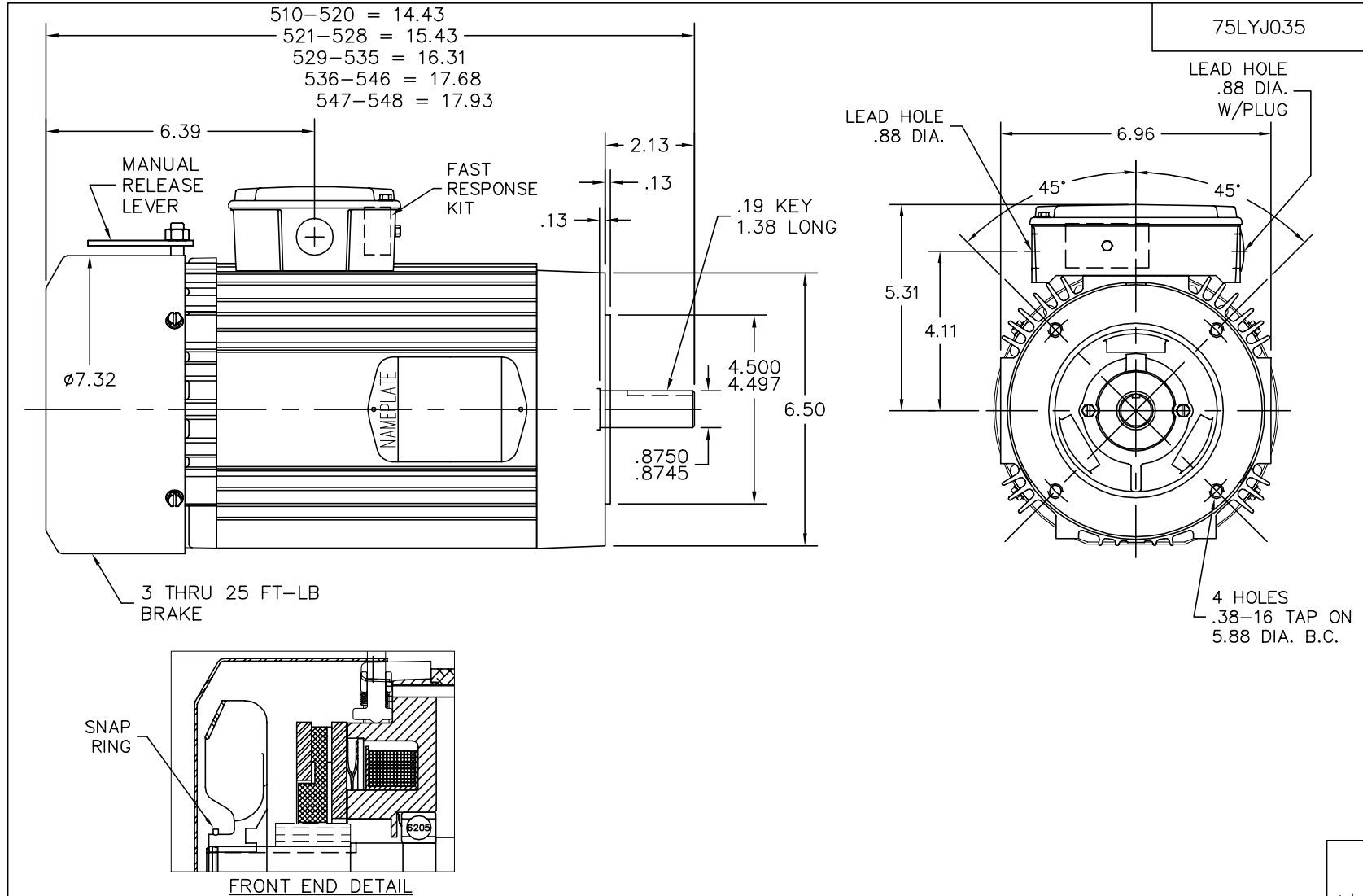
Nameplate Data				460 V, 60 Hz: High Voltage Connection	
Rated Output (HP)	1.5			Full Load Torque	4.62 LB-FT
Volts	230/460			Start Configuration	direct on line
Full Load Amps	4.6/2.3			Breakdown Torque	17.5 LB-FT
R.P.M.	1700			Pull-up Torque	14.2 LB-FT
Hz	60	Phase	3	Locked-rotor Torque	18.4 LB-FT
NEMA Design Code	D	KVA Code	J	Starting Current	14.9 A
Service Factor (S.F.)	1.15			No-load Current	1.24 A
NEMA Nom. Eff.	82.5	Power Factor	75	Line-line Res. @ 25°C	9.45 Ω
Rating - Duty	40C AMB-CONT			Temp. Rise @ Rated Load	43°C
S.F. Amps				Temp. Rise @ S.F. Load	52°C
				Locked-rotor Power Factor	60
				Rotor inertia	0.177 LB-FT ²

Load Characteristics 460 V, 60 Hz, 1.5 HP

% of Rated Load	25	50	75	100	125	150	S.F.
Power Factor	35	55	68	75	81	83	79
Efficiency	73.5	82	83.6	82.9	81.8	79.2	82.2
Speed	1778	1752	1725	1695	1667	1626	1678
Line amperes	1.32	1.56	1.87	2.26	2.63	3.17	2.48

Performance Graph at 460V, 60Hz, 1.5HP Typical performance - Not guaranteed values





CUSTOMER IS RESPONSIBLE FOR DETERMINING THAT MOTOR PERFORMANCE IS SUITABLE IN THE APPLICATION.

REV. DESC: 75CB3000 WAS 06CB3000

REV. LTR: A

VERSION: 01

TDR: 000000441448

BALDOR • DODGE • RELIANCE

950179Z

FILE: \AAA\00150\565

REVISED: 16:33:46 09/17/2007

MTL: -

BY: ENSHABO

VERT 143-5TC TEFC M DODGE SHORT SERIES BRAKE W/FAST RESPONSE

75LYJ035

CD0005

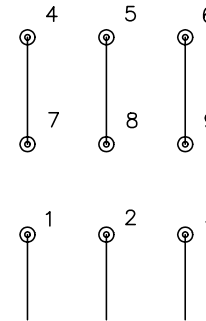


LOW VOLTAGE
(2Y)



LINE

HIGH VOLTAGE
(1Y)



LINE

NOTES:

1. INTERCHANGE ANY TWO LINE LEADS TO REVERSE ROTATION.
2. OPTIONAL THERMOSTATS ARE PROVIDED WHEN SPECIFIED.
3. ACTUAL NUMBER OF INTERNAL PARALLEL CIRCUITS MAY BE A MULTIPLE OF THOSE SHOWN ABOVE.
4. LEAD COLORS ARE OPTIONAL. LEADS MUST ALWAYS BE NUMBERED AS SHOWN.

REV. DESC: REVISE TO SHOW OPTIONAL COLORS			
REV. LTR: E	BY: JLP	REVISED: 01/19/99 10:15	TDR: 0171435
90000		FILE: AAA00005140	MDL: -
		MTL: -	

BALDOR ELECTRIC Co.

3PH, DV, 9 LEADS

CD0005