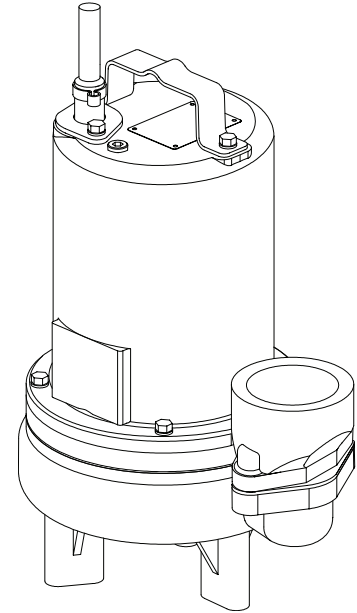


<b>DISCHARGE</b> .....	3" NPT, Female, Vertical, Bolt-on Flange
<b>LIQUID TEMPERATURE</b> .....	104°F (40°C) Continuous
<b>VOLUTE</b> .....	Cast Iron ASTM A-48, Class 30
<b>MOTOR HOUSING</b> .....	Cast Iron ASTM A-48, Class 30
<b>SEAL PLATE</b> .....	Cast Iron ASTM A-48, Class 30
<b>IMPELLER: Design</b> .....	2 Vane, open, with pump out vanes on back side. Dynamically balanced, ISO G6.3
<i>Material</i> .....	Cast Iron ASTM A-48, Class 30
<b>SHAFT</b> .....	416 Stainless Steel
<b>SQUARE RINGS</b> .....	Buna-N
<b>HARDWARE</b> .....	300 Series Stainless Steel
<b>PAINT</b> .....	Air Dry Enamel
<b>SEAL: Design</b> .....	Single Mechanical
<i>Material</i> .....	Carbon/Ceramic/Buna-N
	Hardware -300 Series Stainless
<b>CORD ENTRY</b> .....	30 ft. (9.1m) Cord. Plug on 120 Volt & .5HP. 240 Volt 1 Phase. Quick connect custom molded for sealing and strain relief
<b>SPEED</b> .....	1750 RPM (Nominal)
<b>UPPER BEARING</b> .....	Single Row, Ball, Oil lubricated
<i>Load</i> .....	Radial
<b>LOWER BEARING</b> .....	Single Row, Ball, Oil lubricated
<i>Load</i> .....	Radial & Thrust
<b>MOTOR: Design</b> .....	NEMA L -Single Phase, NEMA B -Three phase Torque Curve, Oil Filled, Squirrel Cage Induction
<i>Insulation</i> .....	Class B
<b>SINGLE PHASE</b> .....	Permanent Split Capacitor (PSC) Includes Overload Protection in Motor
<b>THREE PHASE</b> .....	200-240/480 is Tri-Voltage. 600V. Requires Overload Protection to be included in control panel
<b>OPTIONAL EQUIPMENT</b> .....	Seal Material, Impeller Trims, Additional cord, Normally Closed Temperature Sensors with cord for 3 phase pumps (Requires relay in control panel).

**RECOMMENDED:**

<i>Accessories</i> .....	Break Away Fitting (BAF) Check Valve Control Panel
<i>Seal Kit PN</i> .....	130180
<i>Service Kit PN</i> .....	130207



**Series: 3SE-L**  
**0.5, 0.75 & 1.0HP,**  
**1750RPM, 60Hz**



Sample Specifications: Section 1 Page 5.

**DESCRIPTION:**

SUBMERSIBLE NON-CLOG SEWAGE PUMP  
DESIGNED FOR TYPICAL RAW SEWAGE  
APPLICATIONS

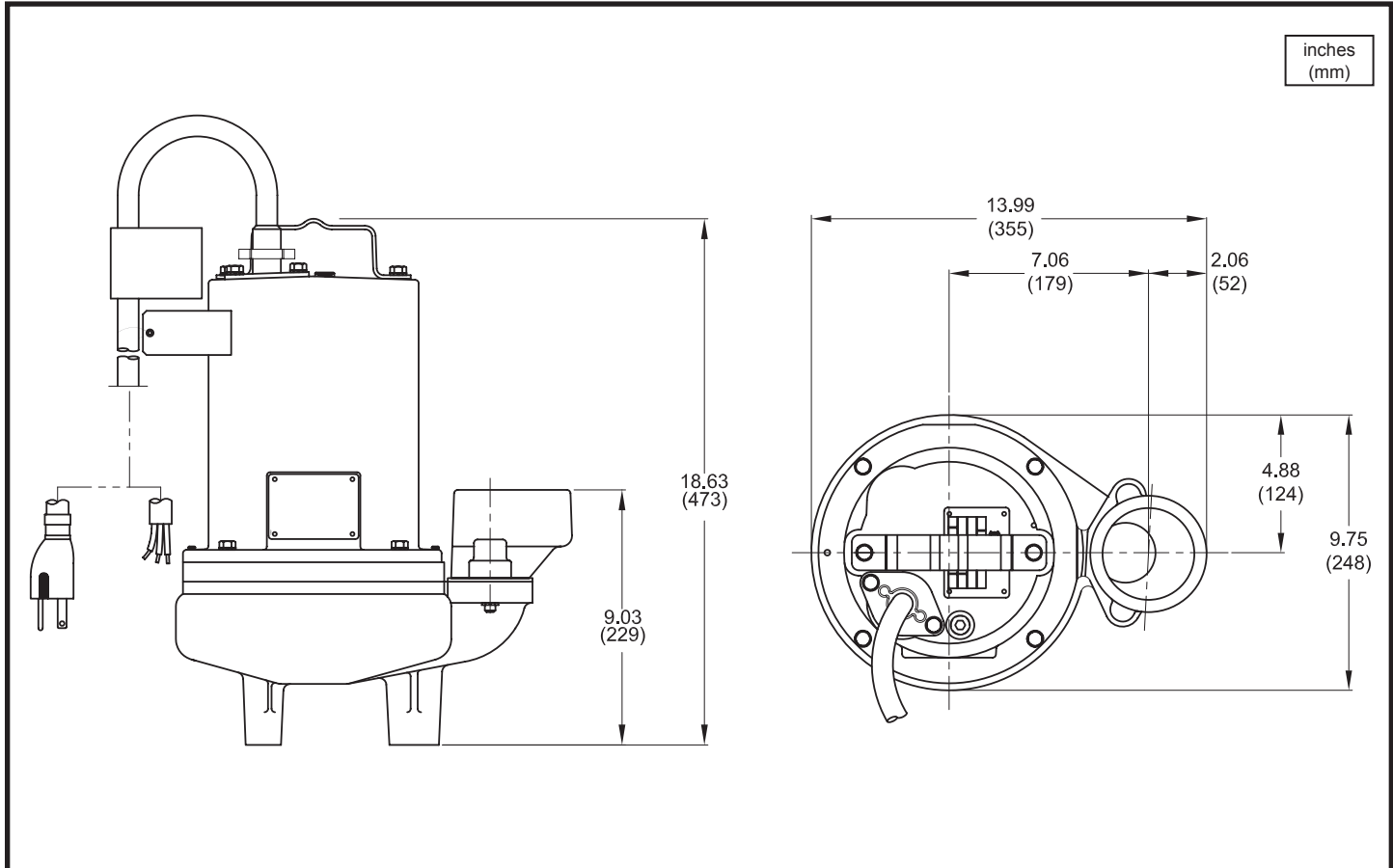
# Series 3SE-L

2" Spherical Solids Handling  
Single Seal

# BARNES®

www.cranepumps.com

**1½", 2" & 3" Discharge**



MODEL NO	PART NO	HP	VOLT/PH	Hz	RPM (Nom)	NEMA START CODE	FULL LOAD AMPS	LOCKED ROTOR AMPS	CORD SIZE	CORD TYPE	CORD O.D. inch (mm)
3SE514L	104892	0.5	120/1	60	1750	F	11.6	21.3	14/3	SJTOW	0.375 (9.5)
3SE524L	104893	0.5	240/1	60	1750	J	5.9	14.9	14/3	SOW	0.530 (13.5)
3SE594L	104894	0.5	200-240/3	60	1750	H/L	3.2/3.0	9.8/11.0	14/4	SOW	0.570 (14.5)
3SE544L	104895	0.5	480/3	60	1750	K	1.5	5.3	14/4	SOW	0.570 (14.5)
3SE554L	104896	0.5	600/3	60	1750	H	1.0	3.4	14/4	SOW	0.570 (14.5)
3SE774L	104902	0.75	200-240/1	60	1750	G/K	7.4/7.0	21.5/25.8	14/3	SOW	0.530 (13.5)
3SE794L	104903	0.75	200-240/3	60	1750	H/K	4.8/4.5	13.7/15.4	14/4	SOW	0.570 (14.5)
3SE744L	104904	0.75	480/3	60	1750	K	2.2	7.7	14/4	SOW	0.570 (14.5)
3SE754L	104905	0.75	600/3	60	1750	L	1.5	7.2	14/4	SOW	0.570 (14.5)
3SE1074L	104910	1.0	200-240/1	60	1750	D/G	8.8/8.3	21.5/25.8	14/3	SOW	0.530 (13.5)
3SE1094L	104911	1.0	200-240/3	60	1750	E/H	5.14/4.9	13.7/15.4	14/3	SOW	0.570 (14.5)
3SE1044L	104912	1.0	480/3	60	1750	H	2.4	7.7	14/4	SOW	0.570 (14.5)
3SE1054L	104913	1.0	600/3	60	1750	J	1.9	7.2	14/4	SOW	0.570 (14.5)

OPTIONAL - Temperature sensor cord for 3 phase models is 14/3 SOW, 0.530 (13.5mm) O.D.

**IMPORTANT !**

- 1.) PUMP MAY BE OPERATED "DRY" FOR EXTENDED PERIODS WITHOUT DAMAGE TO MOTOR AND/OR SEALS.
- 2.) THIS PUMP IS NOT APPROPRIATE FOR THOSE APPLICATIONS SPECIFIED AS CLASS I DIVISION I HAZARDOUS LOCATIONS.
- 3.) INSTALLATIONS SUCH AS DECORATIVE FOUNTAINS OR WATER FEATURES PROVIDED FOR VISUAL ENJOYMENT MUST BE INSTALLED IN ACCORDANCE WITH THE NATIONAL ELECTRIC CODE ANSI/NFPA 70 AND/OR THE AUTHORITY HAVING JURISDICTION. THIS PUMP IS NOT INTENDED FOR USE IN SWIMMING POOLS, RECREATIONAL WATER PARKS, OR INSTALLATIONS IN WHICH HUMAN CONTACT WITH PUMPED MEDIA IS A COMMON OCCURRENCE.

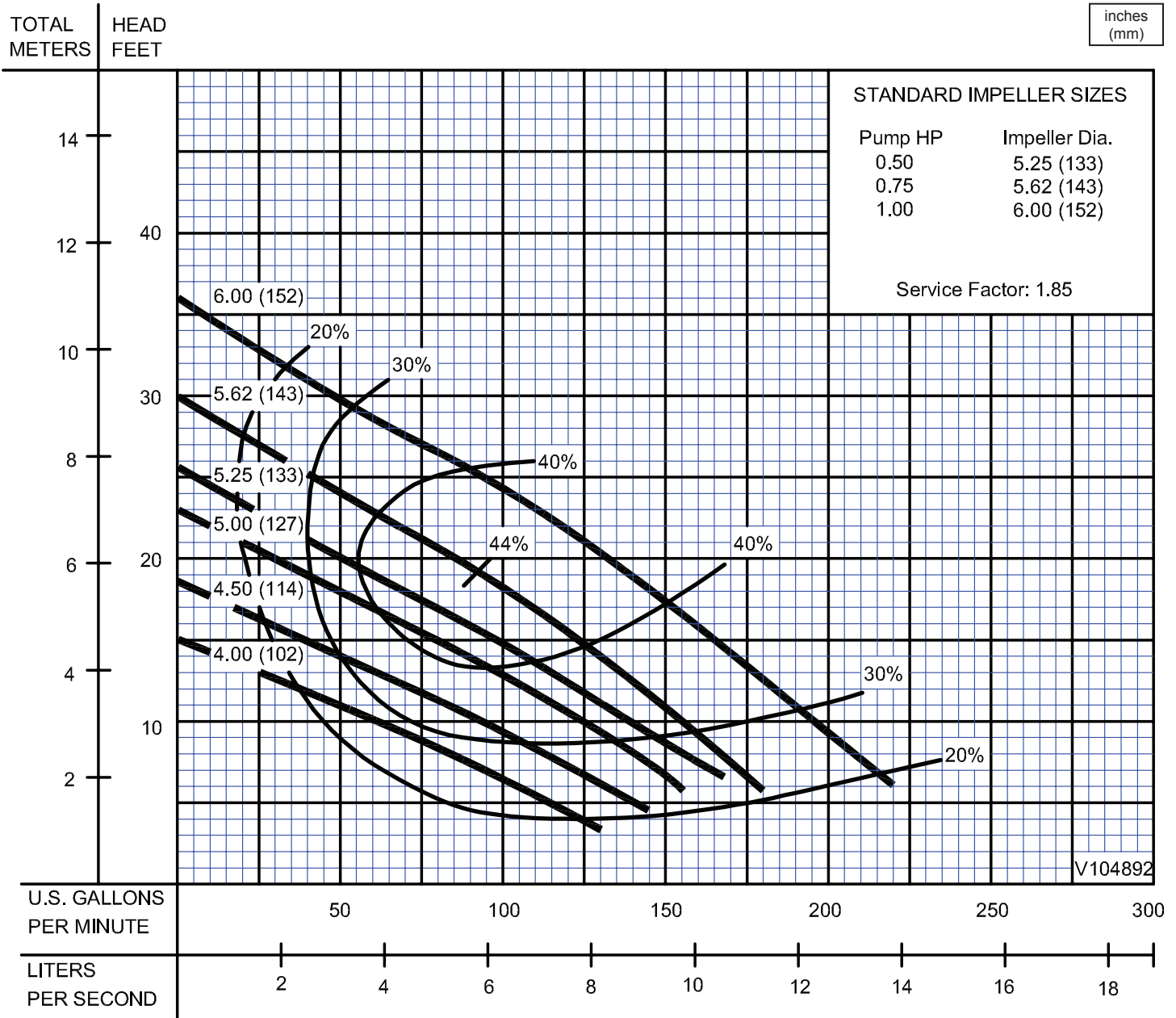
SECTION 1B  
PAGE 38  
DATE 6/13

**CRANE**  
®

A Crane Co. Company

**PUMPS & SYSTEMS**

USA: (937) 778-8947 • Canada: (905) 457-6223 • International: (937) 615-3598



Testing is performed with water, specific gravity 1.0 @ 68° F @ (20°C), other fluids may vary performance