

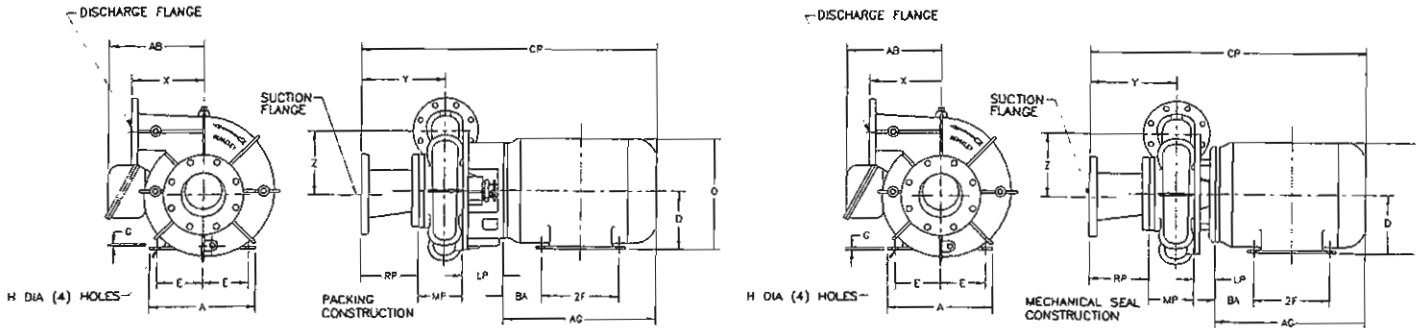


TYPE "B" SINGLE STAGE CENTRIFUGAL PUMP Close Coupled Electric Motor Drive - ODP

Dimension 4075	
Page	4.1
Date	August 1, 1997
Supersedes/New	

B4G

CLOSED COUPLED ELECTRIC MOTOR DRIVE – Models B4GPBH and B4GPBHS



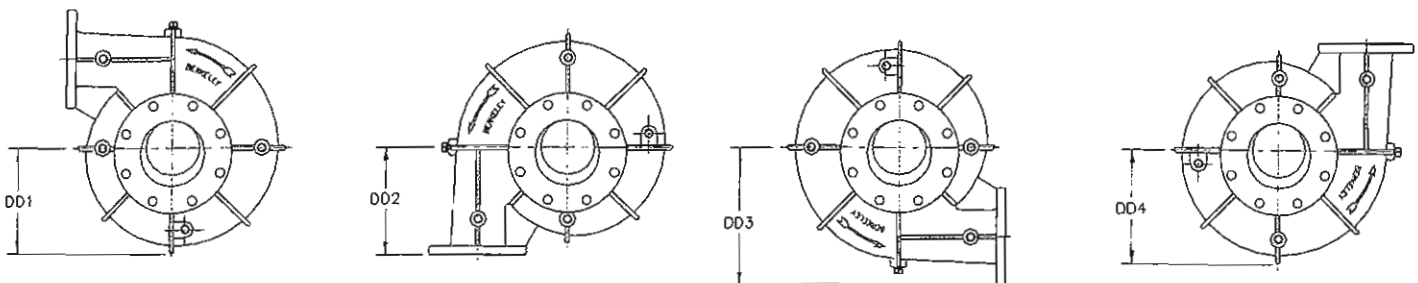
CONSTRUCTION	SUCTION	DISCHARGE	LP	MP	RP	X	Y	Z
Packing	6 x 11	4 x 9	5.44	6.09	8.00	9.88	11.63	8.75
Mechanical Seal	6 x 11	4 x 9	2.69	6.09	8.00	9.88	11.63	8.75

CONSTRUCTION	HP	FRAME	CP	AB	A	E	D	2F	G	H	O	BA	AG
Packing	15	254JP	36.76	8.15	11.24	5.00	6.25	8.25	.21	.53	11.00	5.00	17.17
Packing	20	256JP	38.51	8.15	11.24	5.00	6.25	10.00	.21	.53	11.00	5.00	18.92
Packing	25	284JP	38.65	12.00	13.75	5.50	7.00	9.50	.31	.53	13.81	5.00	19.06
Packing	30	286JP	40.15	12.00	12.75	5.50	7.00	11.00	.31	.53	13.81	5.00	20.56
Packing	40	324JP	40.59	13.06	14.50	6.25	8.00	10.50	.31	.66	15.88	5.50	21.00
Packing	50	326JP	42.09	13.06	16.00	6.25	8.00	12.00	.31	.66	15.88	5.50	22.50
Mechanical Seal	15	254JM	34.01	8.15	11.24	5.00	6.25	8.25	.21	.53	11.00	5.00	17.17
Mechanical Seal	20	256JM	35.76	8.15	11.24	5.00	6.25	10.00	.21	.53	11.00	5.00	18.92
Mechanical Seal	25	284JM	35.90	12.00	13.75	5.50	7.00	9.50	.31	.53	13.88	5.00	19.06
Mechanical Seal	30	286JM	37.40	12.00	13.75	5.50	7.00	11.00	.31	.53	13.88	5.00	20.56
Mechanical Seal	40	324JM	37.84	13.06	14.50	6.25	8.00	10.50	.31	.66	15.88	5.50	21.00
Mechanical Seal	50	326JM	39.34	13.06	14.50	6.25	8.00	12.00	.31	.66	15.88	5.50	22.50

DIMENSIONS FOR:

ELECTRIC MOTOR DRIVE / FRAME MOUNTED PEDESTAL / SAE ENGINE DRIVE MOUNT

DD1	DD2	DD3	DD4
9.80	9.88	13.25	10.55



* Dimensions are for estimating purposes only. Certified dimension drawings available on request.

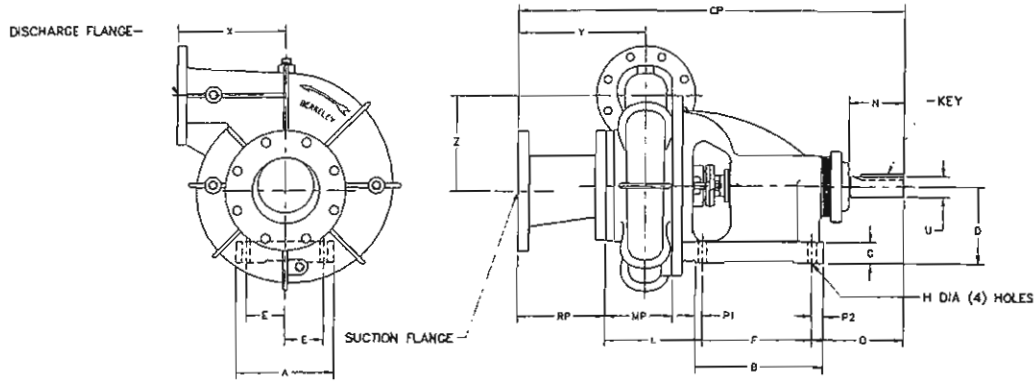


TYPE "B" SINGLE STAGE CENTRIFUGAL PUMP Frame Mounted Pedestal and SAE Engine Drive Mount

Dimension 4075	
Page	4.2
Date	August 1, 1997
Supersedes/New	

B4G

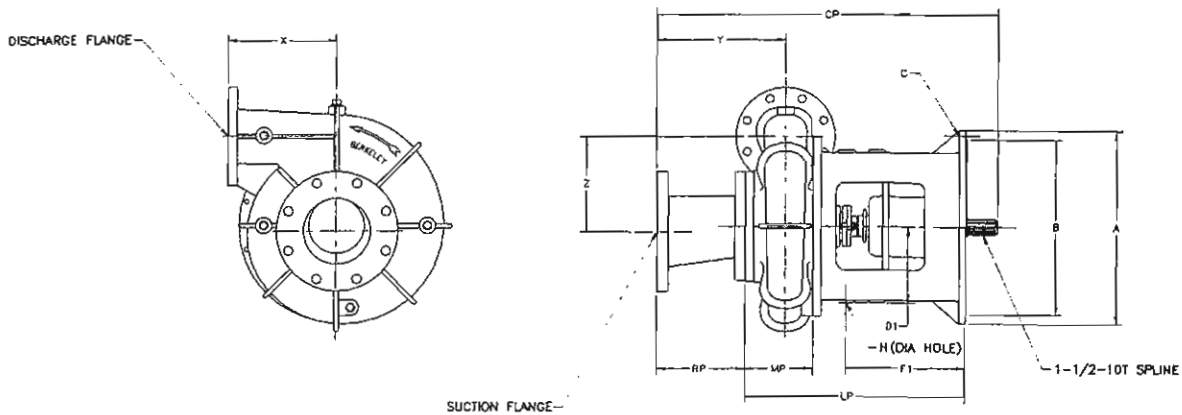
FRAME MOUNTED PEDESTAL – Models B4GRMBH and B4GRMBHS



ROTATION	SUCTION	DISCHARGE	CP	RP	MP	P1	P2
CW	6 x 11	4 x 9	34.95	8.00	6.09	.88	.88

X	Y	Z	A	B	D	E	F	G	H	L	N	Q	U	KEY
9.88	11.63	8.75	8.88	11.50	7.06	3.50	9.88	1.94	.75	8.84	5.06	8.20	1.8745	.50 SQ. x 4.00 LG

SAE ENGINE DRIVE MOUNT – Models B4GQBH and B4GQBHS



SUCTION	DISCHARGE
6 x 11	4 x 9

CONSTRUCTION	SAE	CP	RP	MP	LP	X	Y	Z	A	B	C			F1	H	D1
											B.C.	NO.	SIZE			
Packing	1	30.88	8.00	6.09	22.88	9.88	11.63	8.75	21.75	20.13	20.88	12	.47	10.75	.56	7.00
Packing	2	30.88	8.00	6.09	22.88	9.88	11.63	8.75	19.25	17.63	18.38	12	.44	10.75	.56	7.00
Packing	3	30.88	8.00	6.09	22.88	9.88	11.63	8.75	17.75	16.13	16.88	12	.44	10.75	.56	7.00
Packing	4	30.88	8.00	6.09	22.88	9.88	11.63	8.75	15.88	14.25	15.00	12	.44	10.75	.56	7.00
Mechanical Seal	1	30.88	8.00	6.09	22.88	9.88	11.63	8.75	21.75	20.13	20.88	12	.47	10.75	.56	7.00
Mechanical Seal	2	30.88	8.00	6.09	22.88	9.88	11.63	8.75	19.25	17.63	18.38	12	.44	10.75	.56	7.00
Mechanical Seal	3	30.88	8.00	6.09	22.88	9.88	11.63	8.75	17.75	16.13	16.88	12	.44	10.75	.56	7.00
Mechanical Seal	4	30.88	8.00	6.09	22.88	9.88	11.63	8.75	15.88	14.25	15.00	12	.44	10.75	.56	7.00

* Dimensions are for estimating purposes only. Certified dimension drawings available on request.