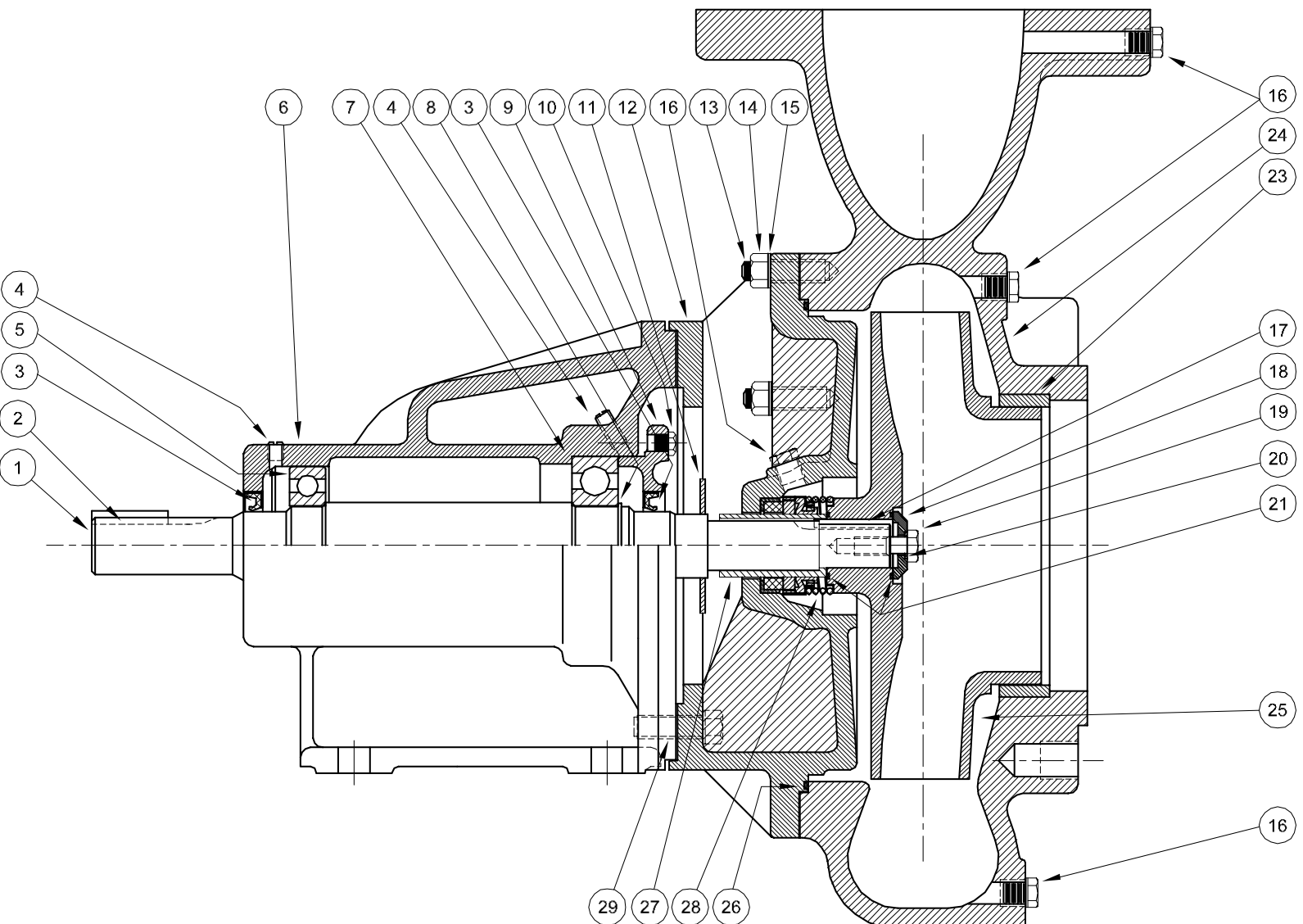


Series: 4GNB9-4F

**BURK'S**<sup>®</sup>  
www.cranepumps.com

*Centrifugals - Base Mounted*



SECTION CBMP  
PAGE 52  
DATE 2/05

**CRANE**<sup>®</sup>

A Crane Co. Company

**PUMPS & SYSTEMS**

USA: (937) 778-8947 • Canada: (905) 457-6223 • International: (937) 615-3598

SYMBOL NUMBER	PART NUMBER	QTY	DESCRIPTION
26	23007	1	O-Ring Gasket - Buna-N (Std)
	23008	1	O-Ring Gasket - Viton
	23009	1	O-Ring Gasket - EPT**
	23010	1	O-Ring Gasket - Teflon
27	22063-C	1	Shaft Sleeve - Bronze
28	09917	1	Mechanical Seal - Buna-N (Std)
	09926	1	Mechanical Seal - Viton
	21271	1	Mechanical Seal - EPT**
29	1-68-6	4	Cap Screw, 1/2-13 x 1¼" Lg
	21062	1	Power Frame Assy. (Includes Symbols 1-11)
<b>DIFFERING PARTS FOR ALL BRONZE CONSTRUCTION</b>			
12	20431-A-1	12	Nut
14	03160-A	1	Adapter - Bronze
19	03289	1	Cap Screw, 3/8-16 x 1" Lg - Bronze
* 24	23383-A	1	Casing Assy, Bronze w/Bronze Wear Ring
29	01638-B	4	Cap Screw
<b>DIFFERING PARTS FOR ALL IRON CONSTRUCTION</b>			
16	04236-A	6	Pipe Plug, 1/4-18 NPT - SS
18	22105-A	1	Washer - Steel
23	23382-A	1	Wear Ring - Steel
* 24	23383-B	1	Casing Assy, Iron w/steel wear ring
25	23384-A	1	Impeller - Iron
27	22063-A	1	Shaft Sleeve - SS

(\*) Casing Assy. 23383, -A, -B are complete casing assemblies consisting of symbols 13, 16, 23 & 24.

(\*\*) For hot water or Caustic service.

SYMBOL NUMBER	PART NUMBER	QTY	DESCRIPTION
1	20977	1	Shaft
2	03234	1	Key, 1/4" Sq x 1¼" Lg
3	20998	2	Seal
4	01691	2	Pipe Plug, 1/8-27 NPT
5	21001	1	Outboard Bearing
6	20967	1	Bearing Housing
7	052935	1	Inboard Bearing
8	030650	1	Retaining Ring
9	20968	1	Cover, Inboard Bearing
10	1-156-6	2	Cap Screw 5/16-18 x 1" Lg
11	09918	1	Slinger Washer
12	20431-1	1	Adapter, Iron
13	20424	12	Stud, 1/2-13 x 2" Lg
14	15-6-6	12	Nut, 1/2-13
15	20059	12	Washer
16	04236	6	Plug, 1/4-18 NPT - Bronze
17	23014	1	Key, 3/16 Sq x 1½" Lg
18	22105-C	1	Washer - Bronze
19	1-529-1	1	Cap Screw, 3/8-16 x 1" Lg, SS
20	22080	1	O-Ring Gasket - Buna-N (Std)
	2-31005-012	1	O-Ring Gasket - Viton
	22093	1	O-Ring Gasket - EPT**
	22082	1	O-Ring Gasket - Teflon
21	22083	2	O-Ring Gasket - Buna-N (Std)
	22084	2	O-Ring Gasket - Viton
	22094	2	O-Ring Gasket - EPT**
	22085	2	O-Ring Gasket - Teflon
23	23382	1	Wear Ring - Bronze
* 24	23383	1	Casing Assy, Iron w/Bronze Wear Ring
25	23384	1	Impeller - Bronze