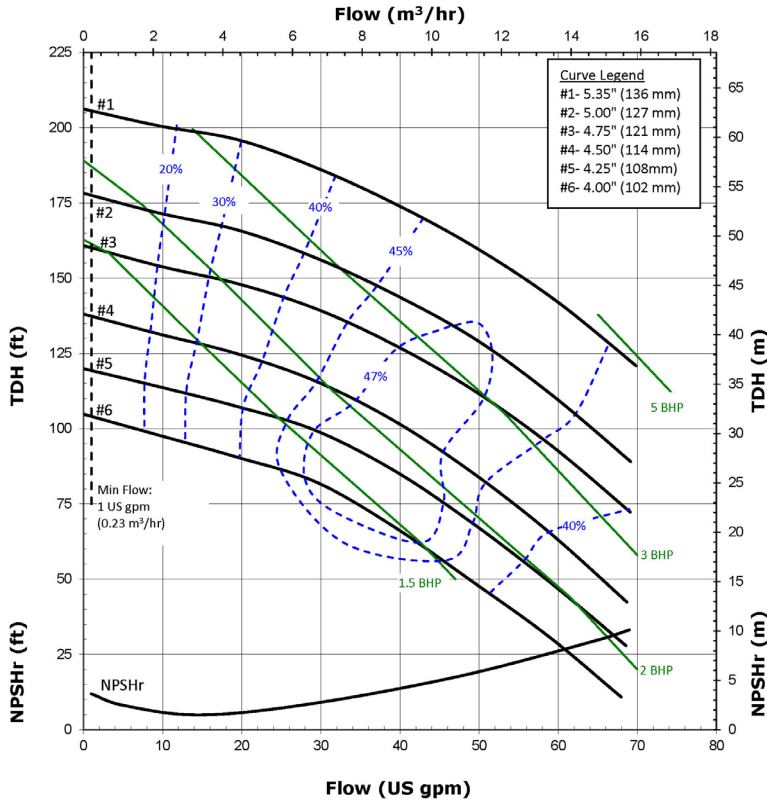
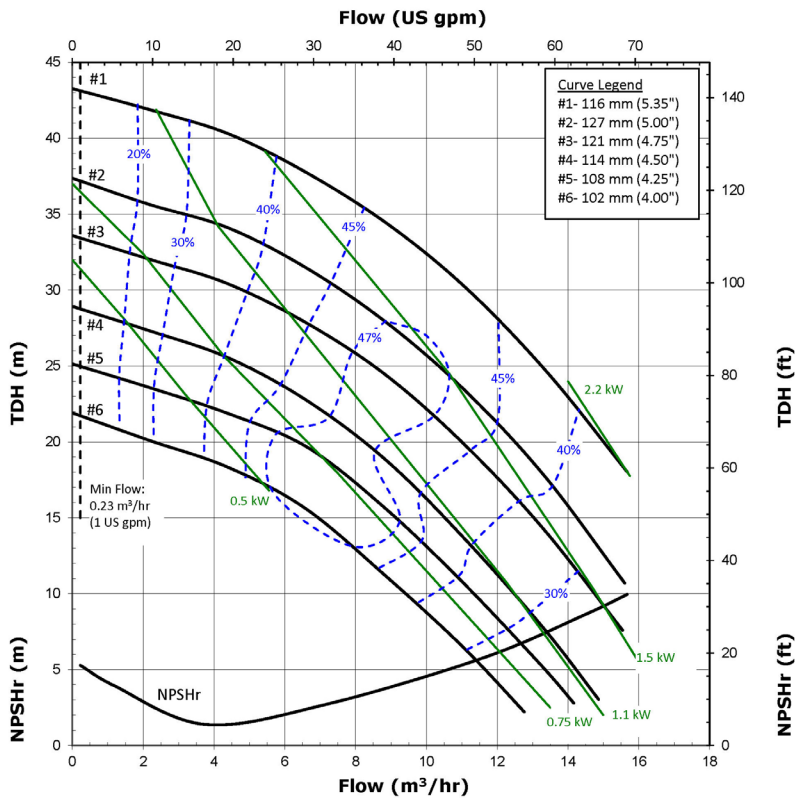




**MSDB2 PERFORMANCE 3450 RPM**



**MSDB2 PERFORMANCE 2900 RPM**



**FEATURES & CAPABILITIES**

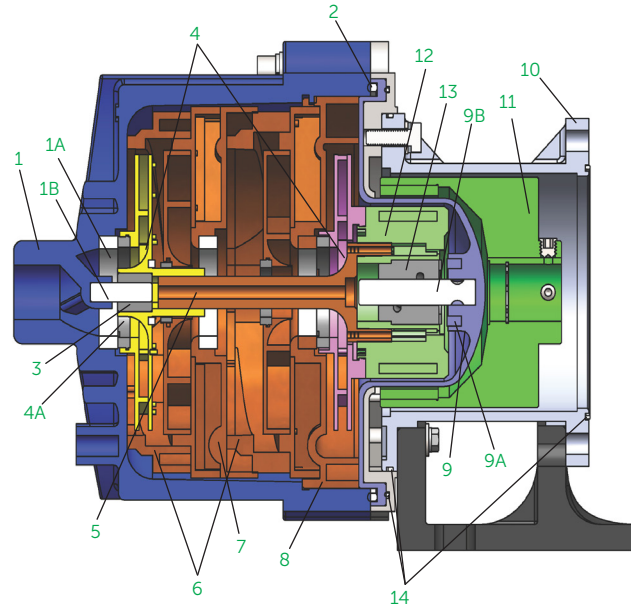
- + Two stage magnetic drive centrifugal pump
- + Five-year warranty
- + Extended run dry ability (with carbon bushing)
- + Easy set, measurement-free drive
- + Polypropylene/Ryton (PPS) or PVDF/Ryton (PPS) construction
- + Powerful neodymium magnets
- + Close-coupled design
- + 1" Threaded (NPT or BSP), or flange connections
- + Vertical installation with IEC motor
- + Back pullout design
- + Mounts to NEMA and IEC motor frames
- + ISO 1940 G2.5 balancing
- + CE certified/ATEX available
- + Working pressure up to 135 PSI (9.3 bar)
- + Specific gravity over 1.8
- + Viscosity up to 150 cP
- + Polypropylene/Ryton (PPS) – 180° F (82° C)
- + PVDF/Ryton (PPS) – 220° F (104° C)

**APPLICATIONS**

- + Chemical processing
- + Plating
- + Water and wastewater
- + Electronics
- + Pharmaceuticals
- + Wet scrubber
- + Spray applications
- + Filtration

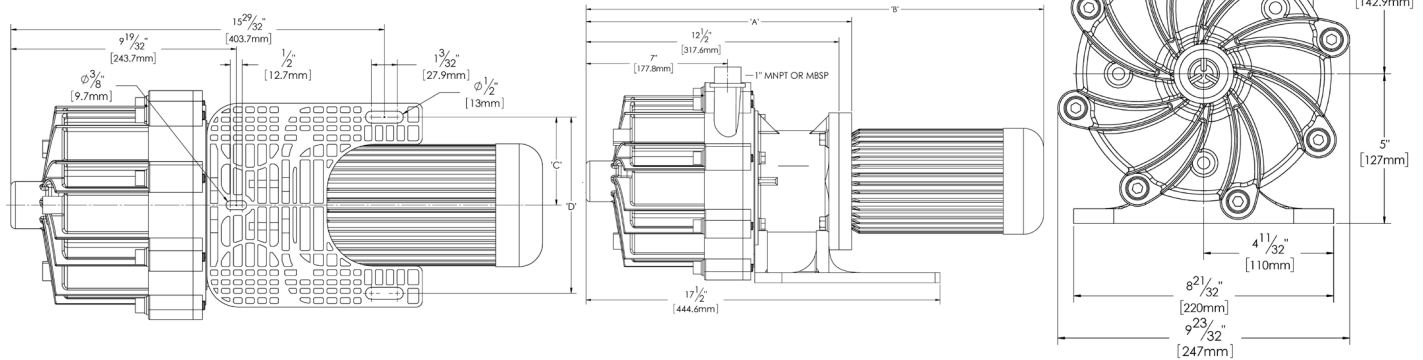
**Specifications**

Description	Polypropylene	PVDF
1 MSDB Housing	Glass-fiber reinforced polypropylene (GF PP)	Carbon-fiber reinforced PVDF (CF PVDF)
1A Housing Thrust Ring	High purity alumina ceramic or silicon carbide (SiC)	
1B Housing Shaft	High purity alumina ceramic or silicon carbide (SiC)	
2 Housing O-ring	FKM, EPDM, Simriz®, or Kalrez	
3 Impeller Bushing	Carbon, glass-filled PTFE, or SiC	
4 Impellers	Ryton® R-4	
4A Impeller Thrust Ring	GF molybdenum disulfide filled PTFE or SiC	
5 Pump Shaft	Ryton® R-4	
6 Diffuser	Ryton® R-4	
7 Middle Housing	Ryton® R-4	
8 Inner Volute	Ryton® R-4	
9 Barrier	GF PP	CF PVDF
9A Barrier Thrust Ring	High purity alumina ceramic	
9B Barrier Shaft	High purity alumina ceramic or SiC	
10 Motor Adapter	GF PP	
11 Outer Drive Hub	Nickel-plated neodymium iron boron magnets/steel	
12 Impeller Drive	Epoxy-coated neodymium iron boron magnets encapsulated in: unfilled polypropylene      unfilled PVDF	
13 Impeller Drive Bushing	Carbon, glass-filled PTFE, SiC	
14 Vapor Protection O-rings	Buna N	



Kalrez® is a registered trademark of DuPont Performance Elastomers  
 Simriz® Perfluoroelastomer is a registered trademark of the Simrit® division of Freudenberg-NOK  
 Hastelloy® C is a registered trademark of Haynes International, Inc.  
 Ryton® is a registered trademark of Solvay SA

**Dimensions**



Motor Frame	A	B†	C	D	lbs. [kg] PP	lbs. [kg] PVDF
NEMA 56C FR.	12-1/2" [31.75 cm]	23-11/16" [60.17 cm]	3-3/4" [9.5 cm]	7-1/2" [19.1 cm]	30 [13.6]	33 [15]
NEMA 143/5 TC FR.	12-1/2" [31.75 cm]	23-21/32" [60.09 cm]	3-3/4" [9.5 cm]	7-1/2" [19.1 cm]	30 [13.6]	33 [15]
NEMA 182/4TC FR.	13-3/8" [33.97 cm]	27-9/32" [69.29 cm]	3-3/4" [9.5 cm]	7-1/2" [19.1 cm]	30 [13.6]	33 [15]
IEC 80 FR. B5/B14	13-1/8" [33.34 cm]	23-3/16" [58.9 cm]	3-3/4" [9.5 cm]	7-1/2" [19.1 cm]	30 [13.6]	33 [15]
IEC 90 FR. B5/14	13-1/8" [33.34 cm]	23-3/8" [59.4 cm]	3-3/4" [9.5 cm]	7-1/2" [19.1 cm]	30 [13.6]	33 [15]
IEC 100 FR. B5/B14	13-3/16" [33.5 cm]	24-7/8" [63.2 cm]	3-5/32" [8.0 cm]	6-10/32" [16.0 cm]	30 [13.6]	33 [15]
IEC 112 FR. B5/B14	13-3/16" [33.5 cm]	25-3/8" [64.5 cm]	3-3/4" [9.5 cm]	7-1/2" [19.1 cm]	30 [13.6]	33 [15]

Note: Contact factory for dimensions on flanged models. \*For B5 weight, add 3 lbs. to 80/90 B14 frame weight and 6 lbs. to 100/112 B14 frame weight.  
 †Varies with motor manufacturer.



**FINISH THOMPSON INC. - HEADQUARTERS**  
 921 Greengarden Road | Erie, PA 16501  
 800.934.9384 | ph 814.455.4478 | fx 814.455.8518  
 email fti@finishthompson.com

**FINISH THOMPSON INC. - EUROPE CENTER**  
 Otto-Hahn-Strasse 16 | Maintal, D-63477 Germany  
 49 (0)6181-90878-0 | fx 49 (0)6181-90878-18  
 email fti@finishthompson.com