

QUANTM™ Pumps, Hygienic Models

3A9287K

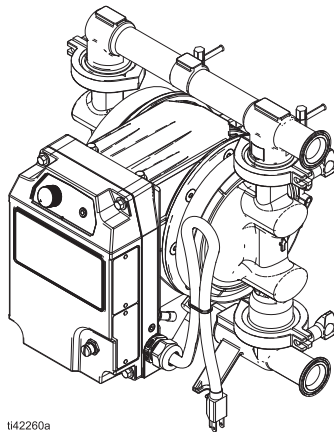
EN

Electric-operated diaphragm (EODD) pumps with an integral electric drive for fluid transfer applications. Not for use with gasoline. For professional use only.



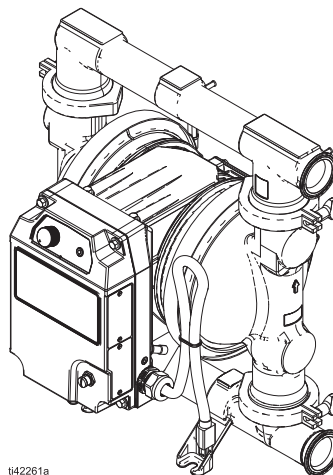
Important Safety Instructions

Read all warnings and instructions in this manual and related manuals before using the equipment. Save these instructions.



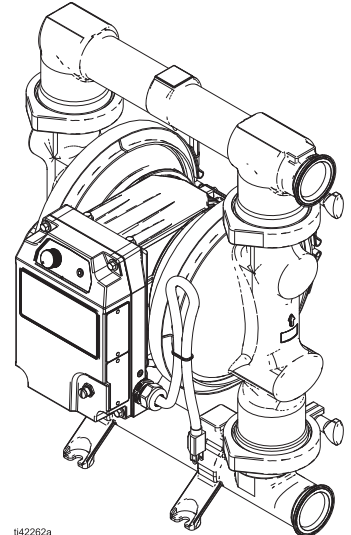
t142260a

h30 (QHC) Model



t142261a

h80 (QHD) Model



t142262a

h120 (QHE) Model

Contents

Related Manuals	2	Checks	19
Configuration Matrix	3	Check Stops (Ball Models Only)	19
Parts	6	Manifold Seals	20
h30 (QHC) Models	6	Fluid Plates	21
h80 (QHD) Models	8	Diaphragms	21
h120 (QHE) Models	11	Diaphragm Fasteners	22
h120 (QHF) Models	13	Stands	22
Parts List	15	Cart	22
Fluid Covers	15	Maintenance Bracket Stand	22
Stator Shield	16	Fluid Repair Kits	23
Manifolds	17	h30 (QHC)	23
Outlet Manifolds	17	h80 (QHD)	23
Inlet Manifolds	17	h120 (QHE)	24
Clamps for Fluid Covers	18	h120 (QHF)	24
Clamps for Manifolds	18	Graco Standard Warranty	26
Seats	18		

Related Manuals

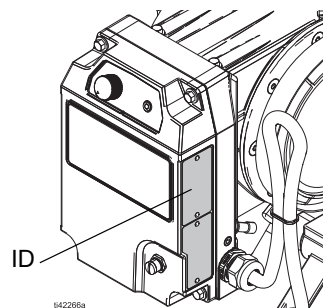
English Manual Number	Description	Reference
3A7637	QUANTM Electric Motor, Repair-Parts	Motor Manual
3A9286	QUANTM Pumps, Hygienic Models, Instructions	Pump Manual

Configuration Matrix

Record the model part number and configuration sequence found on your equipment identification plate (ID) to assist you when ordering replacement parts.

Model Part Number:

Configuration Sequence:



Sample Configuration Sequence: QHC-FGFF1ACACBNBNA10021

Q	H	C	FG	FF1	AC	AC	BN	BN	A1	00	21
Brand	Application	Model	Wetted Section Material	Motor	Seat Material	Check Material	Diaphragm Material	Manifold Seal Material	Connection	Options	Material Certifications

NOTE: Some combinations are not possible. Check with your local distributor.

Brand	Application	Model	Wetted Section Material
Q	QUANTM	H	Hygienic (h)
C		30 (1 in. port)	FG
		80 (1-1/2 in. port)	HS
		120 (2 in. port)	PH
		120 (3 in. port)	3A

Motor

	Drive	Coat	Input Voltage	Phase	Location	Cord/Cable Termination
FF1	Aluminum Direct Drive	Fluorinated ethylene propylene (FEP) coat	200–240 V	3-Phase	Hygienic, Ordinary Locations	Cord with plug
FF2	Aluminum Direct Drive	FEP coat	200–240 V	Single-Phase	Hygienic, Ordinary Locations	Cord with plug
FF3	Aluminum Direct Drive	FEP coat	200–240 V	3-Phase	Hygienic, Hazardous (Classified) Locations	Cable with flying leads
FF4	Aluminum Direct Drive	FEP coat	200–240 V	Single-Phase	Hygienic, Explosive Atmospheres	Cable with flying leads
FF5	Aluminum Direct Drive	FEP coat	100–120 V	Single-Phase	Hygienic, Ordinary Locations	Cord with plug
FF6	Aluminum Direct Drive	FEP coat	100–120 V	Single-Phase	Hygienic, Hazardous (Classified) Locations	Cable with flying leads
FF7	Aluminum Direct Drive	FEP coat	380–480 V	3-Phase	Hygienic, Ordinary Locations (NA)	Cable with flying leads

Motor						
	Drive	Coat	Input Voltage	Phase	Location	Cord/Cable Termination
FF8	Aluminum Direct Drive	FEP coat	380–480 V	3-Phase	Hygienic, Ordinary Locations (WW)	Cable with flying leads
FF9	Aluminum Direct Drive	FEP coat	380–480 V	3-Phase	Hygienic, Hazardous (Classified) Locations (NA)	Cable with flying leads
FFA	Aluminum Direct Drive	FEP coat	380–480 V	3-Phase	Hygienic, Explosive Atmospheres (WW)	Cable with flying leads

Seat Material		Check Material		Diaphragm Material		Manifold Seal Material	
FL	Flapper, for hygienic models only	BN	Buna-N, ball	BN	Buna-N	--	None
SS	316 Stainless Steel	CW	Polychloroprene, weighted, ball	EO	EPDM Overmold	BN	Buna-N
		EP	EPDM, ball	FK	Fluoroelastomer	EP	EPDM
		FK	Fluoroelastomer, ball	PO	PTFE/EPDM Overmold	FK	Fluoroelastomer
		FL	Flapper, Stainless Steel	PS	PTFE/Santoprene, two-piece	PT	PTFE
		PT	PTFE, ball	SP	Santoprene		
		SP	Santoprene, ball				

Connection		Options		Material Certifications	
S13	Stainless Steel, standard ports, hygienic clamp	00	Standard	21	EN 10204 type 2.1
S14	Stainless Steel, standard ports, DIN	SF	Sanitary Flapper	31	EN 10204 type 3.1
SSA	Center-ported tri-clamp				
SSB	Center-ported DIN				
SSE	Horizontal Wye Manifold Tri-Clamp				
SSG	Horizontal No Manifold				

Motor Drive Selection**Hygienic - North America**

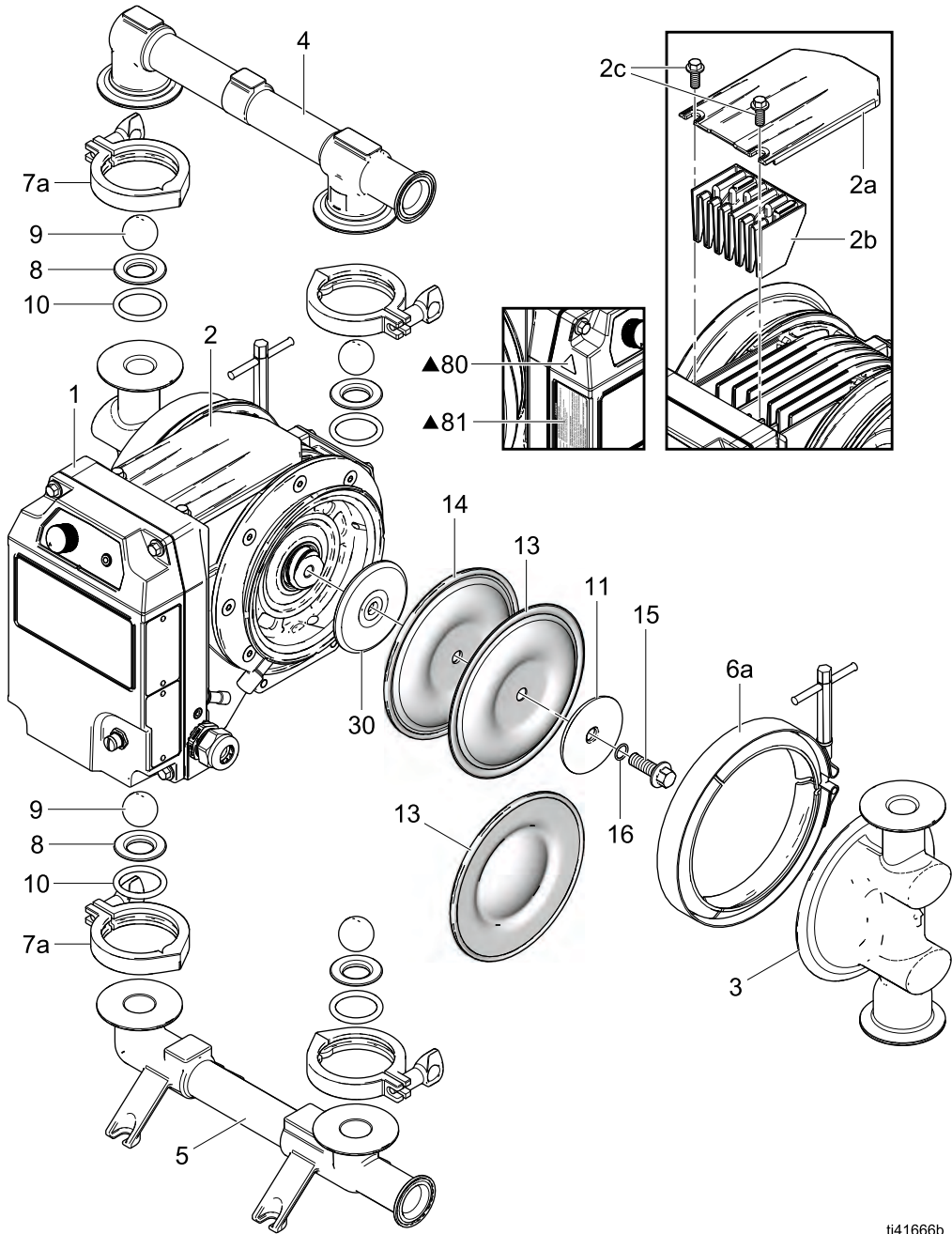
Model	Ordinary Location (NEMA Plug)	Hazardous Location (Flying Leads)	Voltage range/phase count
h30 (QHC)	FF1, FF5	FF3, FF6	200–240 V/3-Phase 100–120 V/Single-Phase
h80 (QHD)	FF1	FF3	200–240 V/3-Phase
h120 (QHE/QHF)	FF1	FF3	200–240 V/3-Phase
h30 (QHC), h80 (QHD), h120 (QHE)	FF7 (Flying leads)	FF9	380–480 V/3-Phase

Hygienic - International

Model	Ordinary Location (IEC Plug)	Hazardous Location (Flying Leads)	Voltage range/phase count
h30 (QHC)	FF2	FF4	200–240 V/Single-Phase
h80 (QHD)	FF2	FF4	200–240 V/Single-Phase
h120 (QHE/QHF)	FF2	FF4	200–240 V/Single-Phase
h30 (QHC), h80 (QHD), h120 (QHE)	FF8 (Flying leads)	FFA	380–480 V/3-Phase

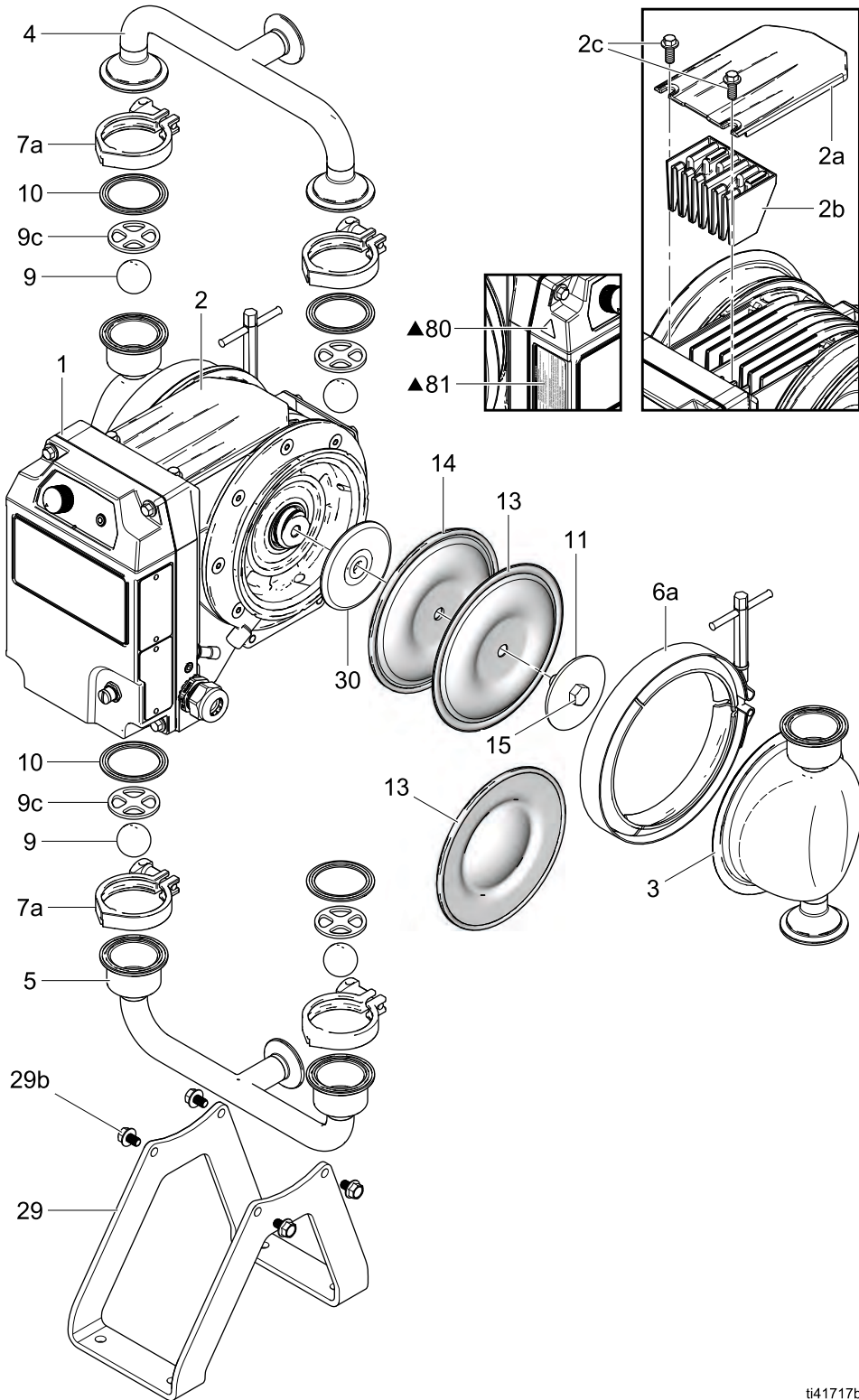
Parts

h30 (QHC) Models



ti41666b

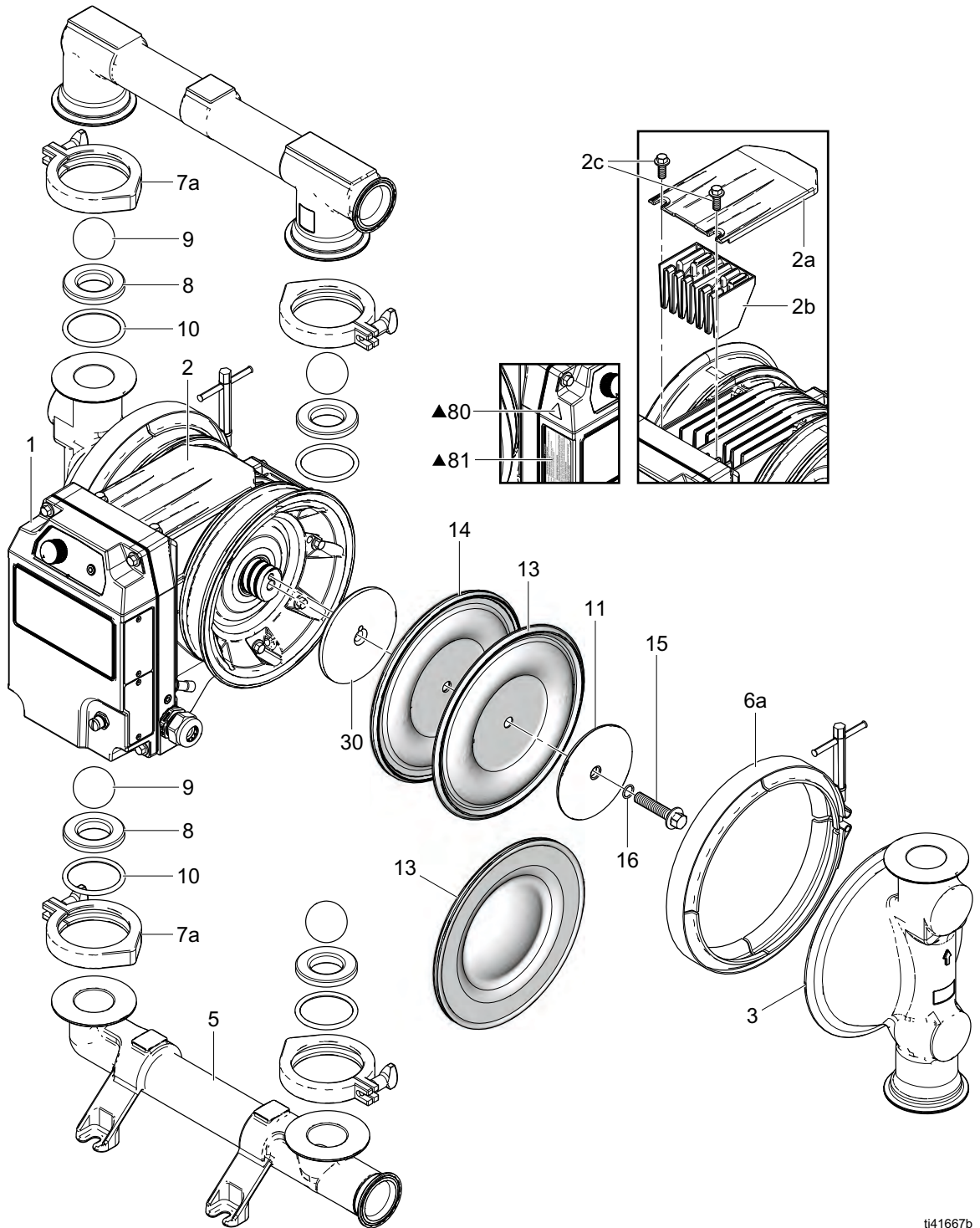
h30 (QHC) Food Grade (FG) model shown



ti41717b

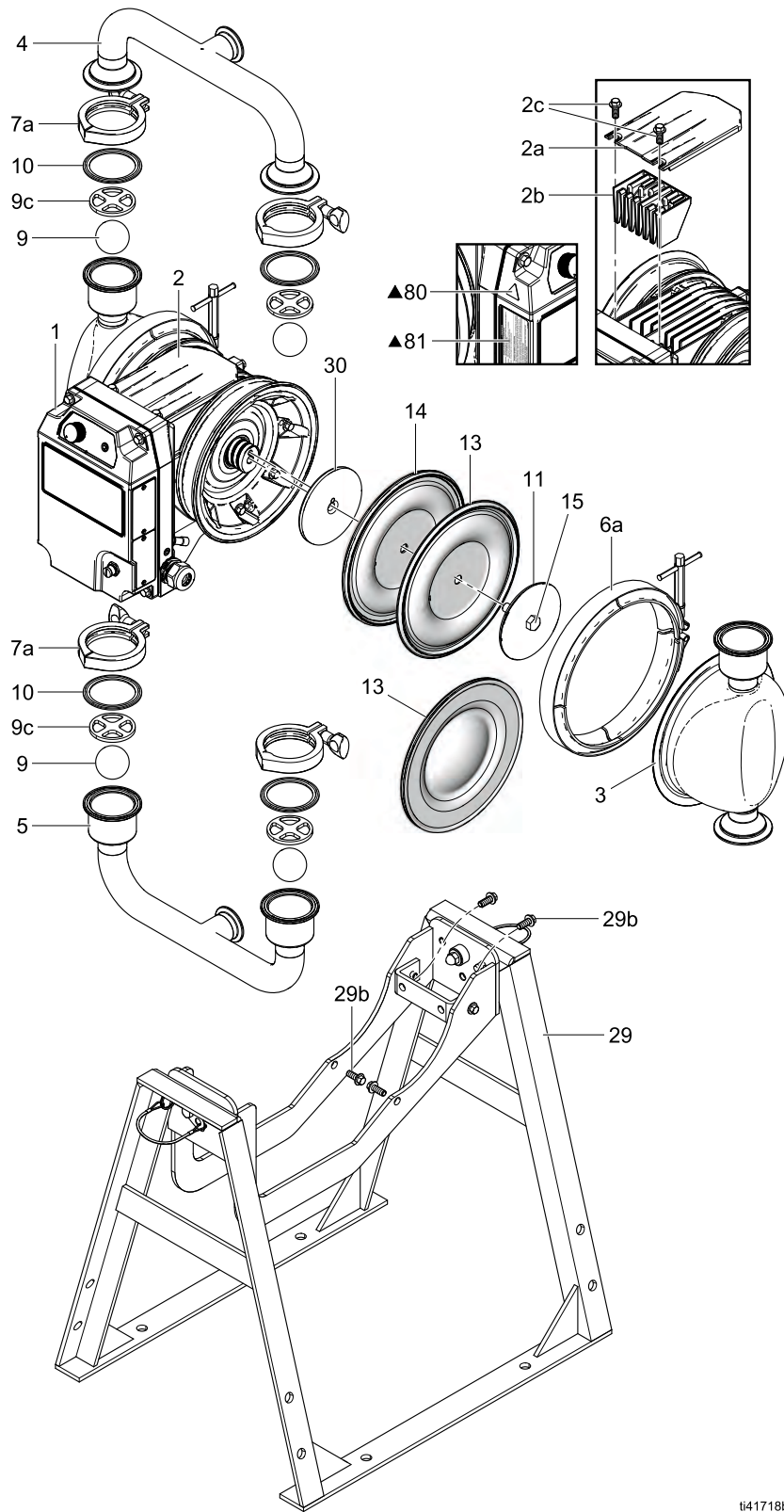
h30 (QHC) High Sanitation (HS, PH, 3A) model shown

h80 (QHD) Models



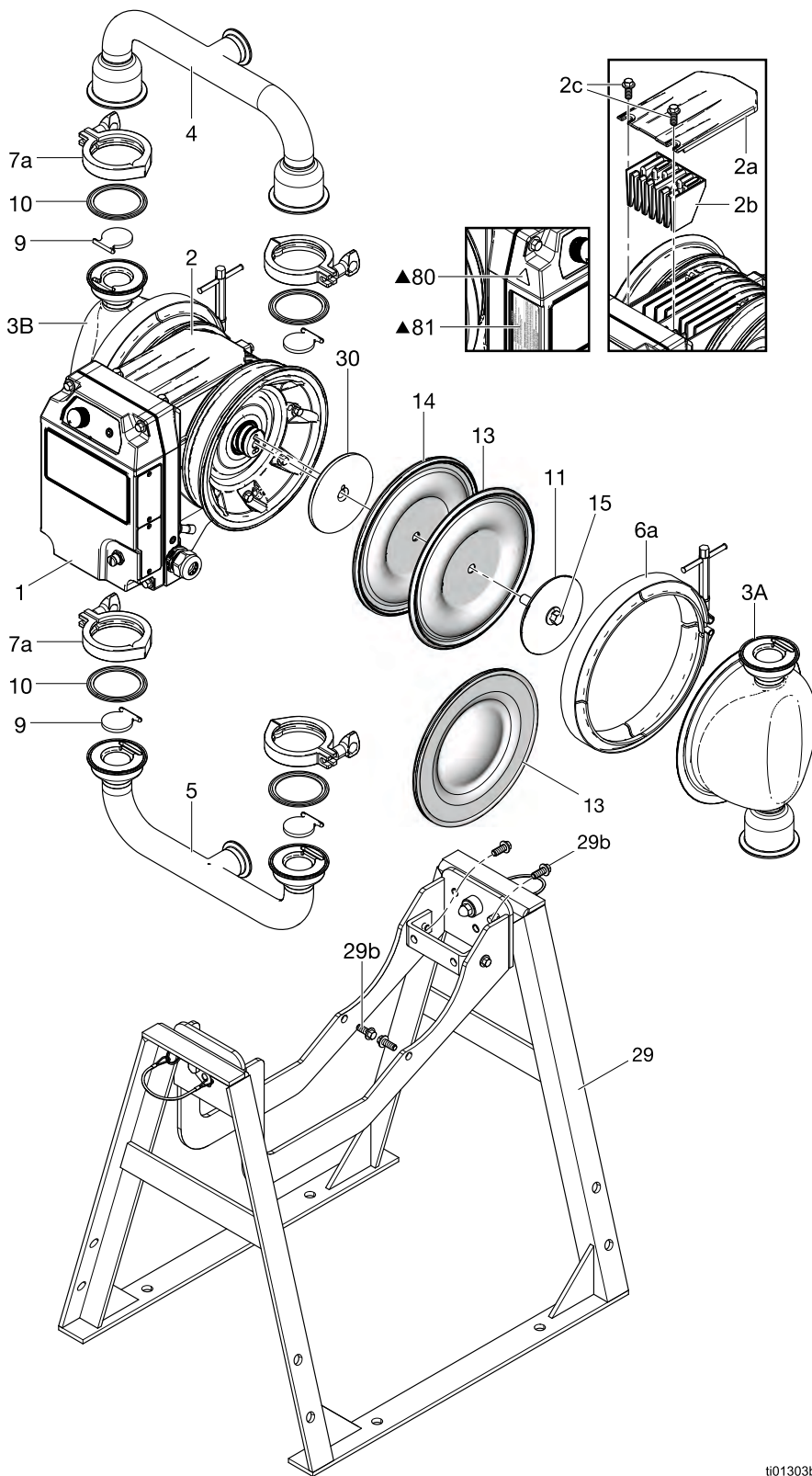
ti41667b

h80 (QHD) Food Grade (FG) model shown



ti41718b

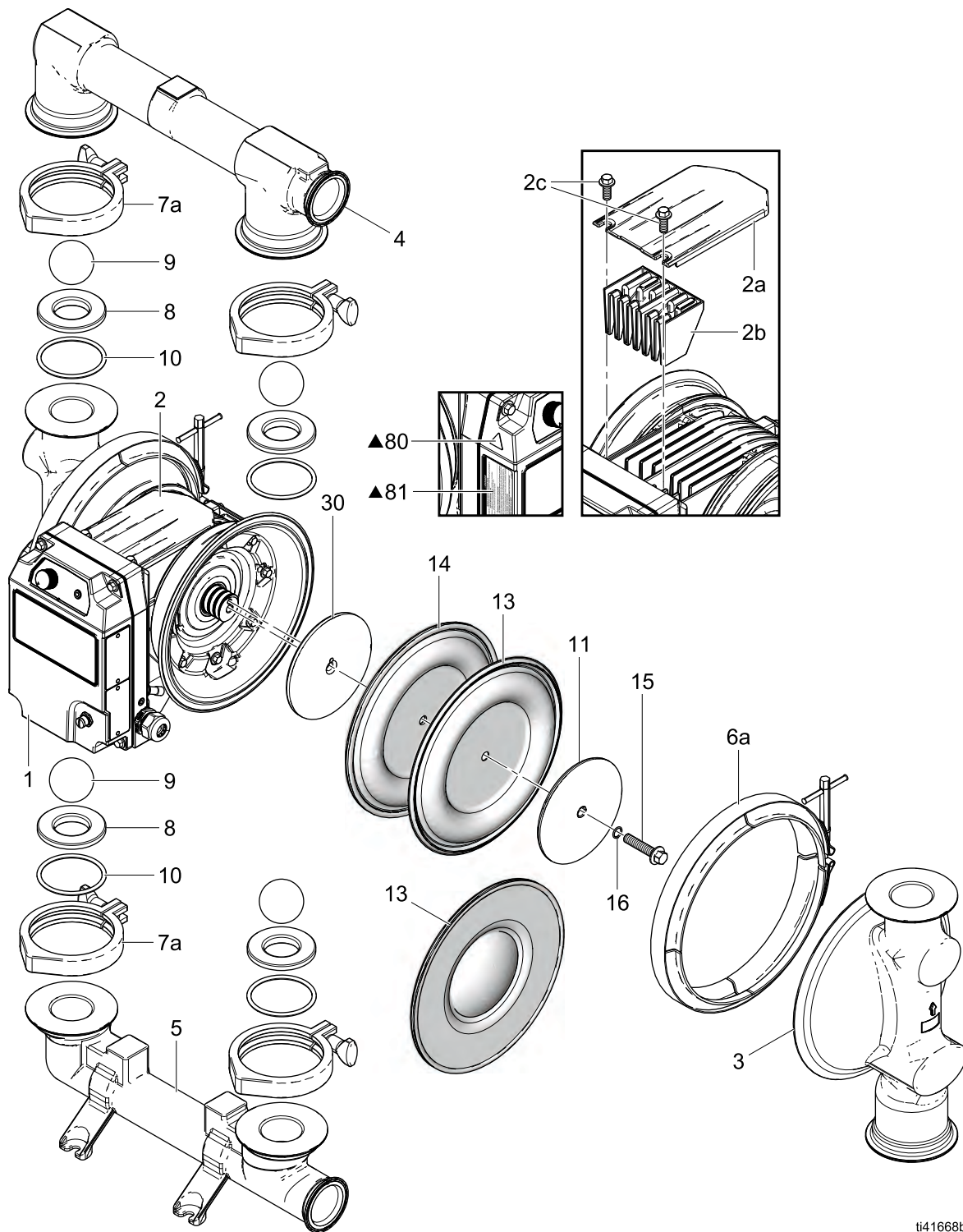
h80 (QHD) High Sanitation (HS, PH, 3A) Ball model shown



ti01303b

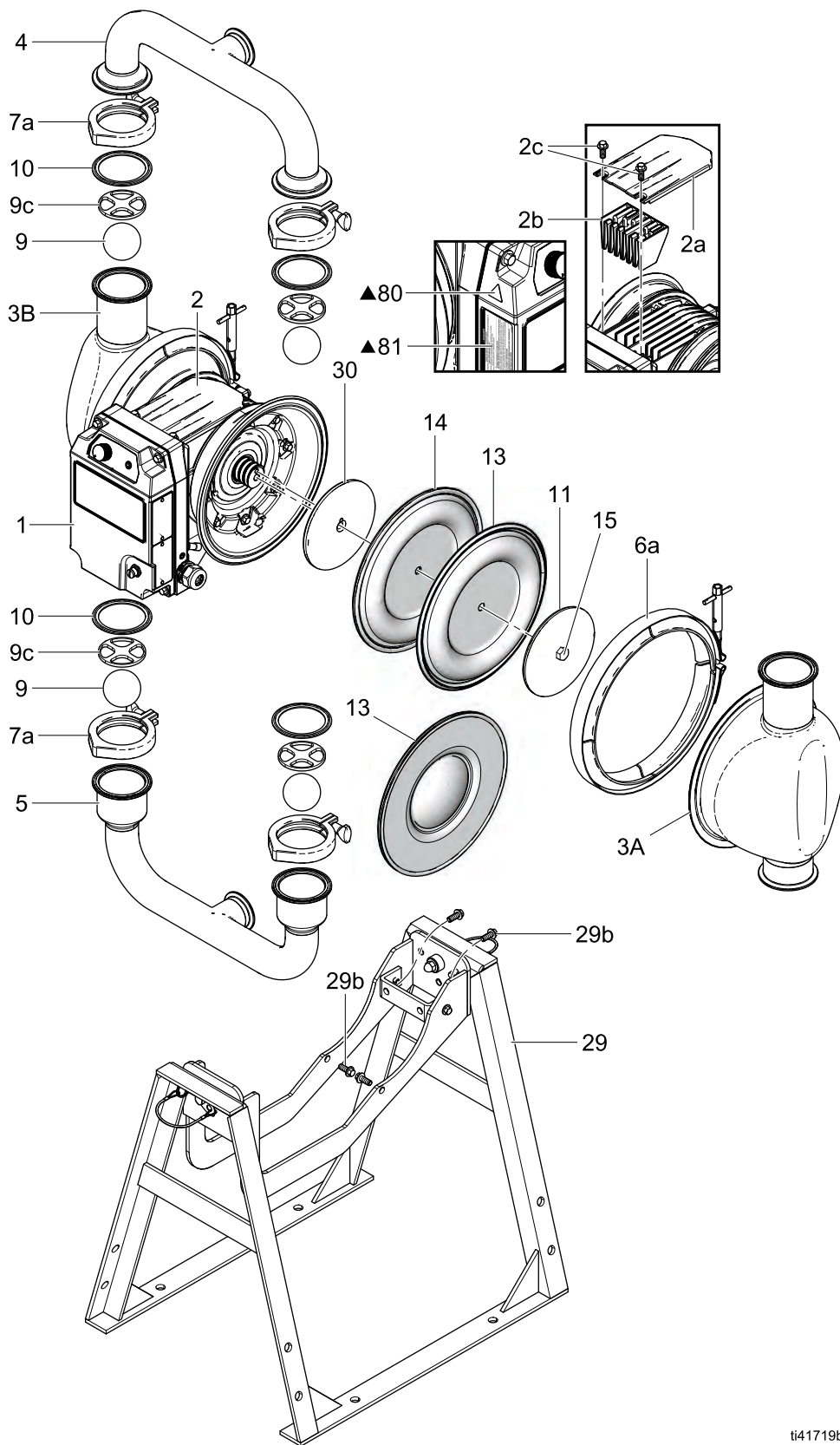
h80 (QHD) High Sanitation (HS) Flapper model shown

h120 (QHE) Models



ti41668b

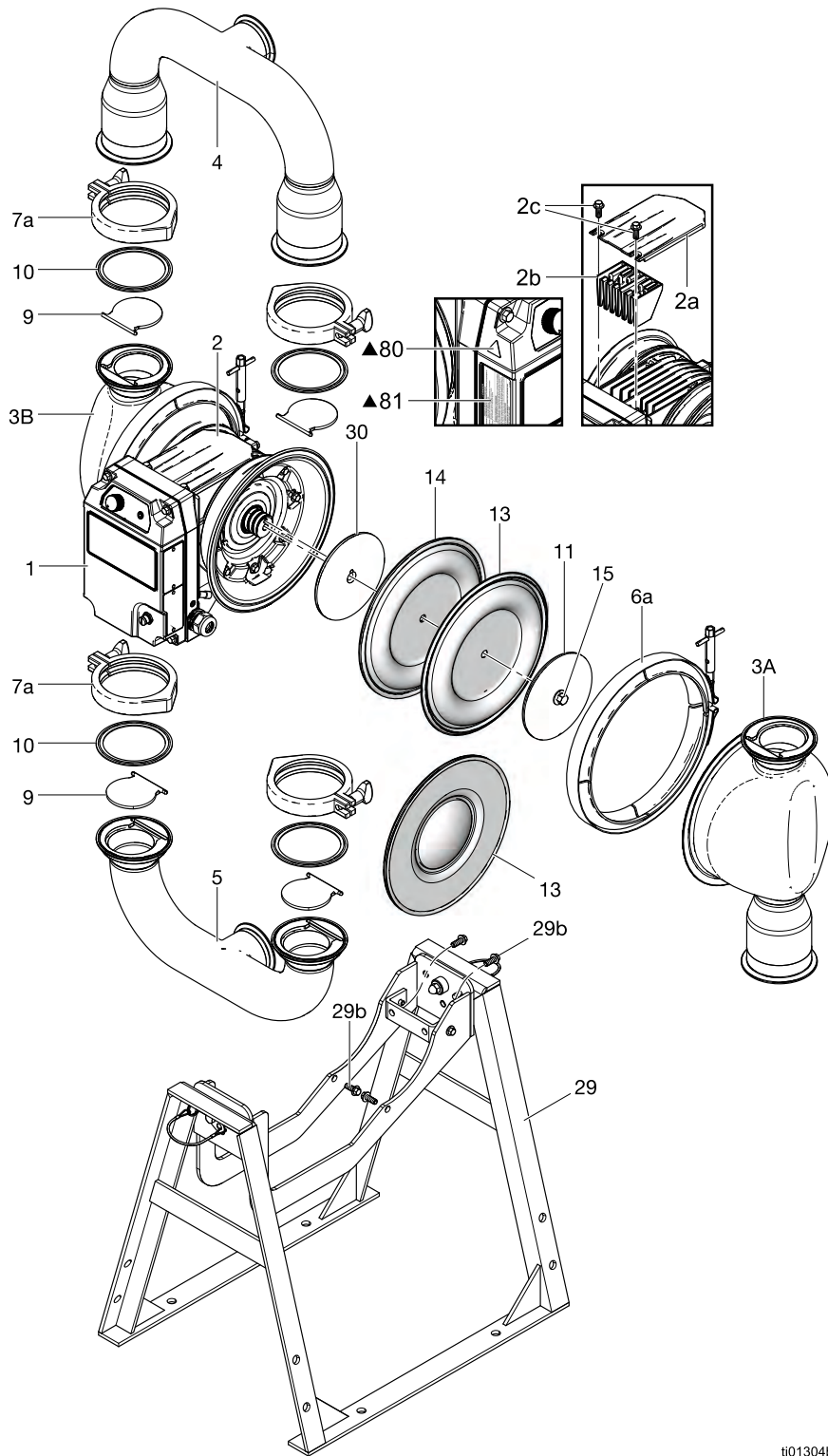
h120 (QHE) Food Grade (FG) model shown



ti41719b

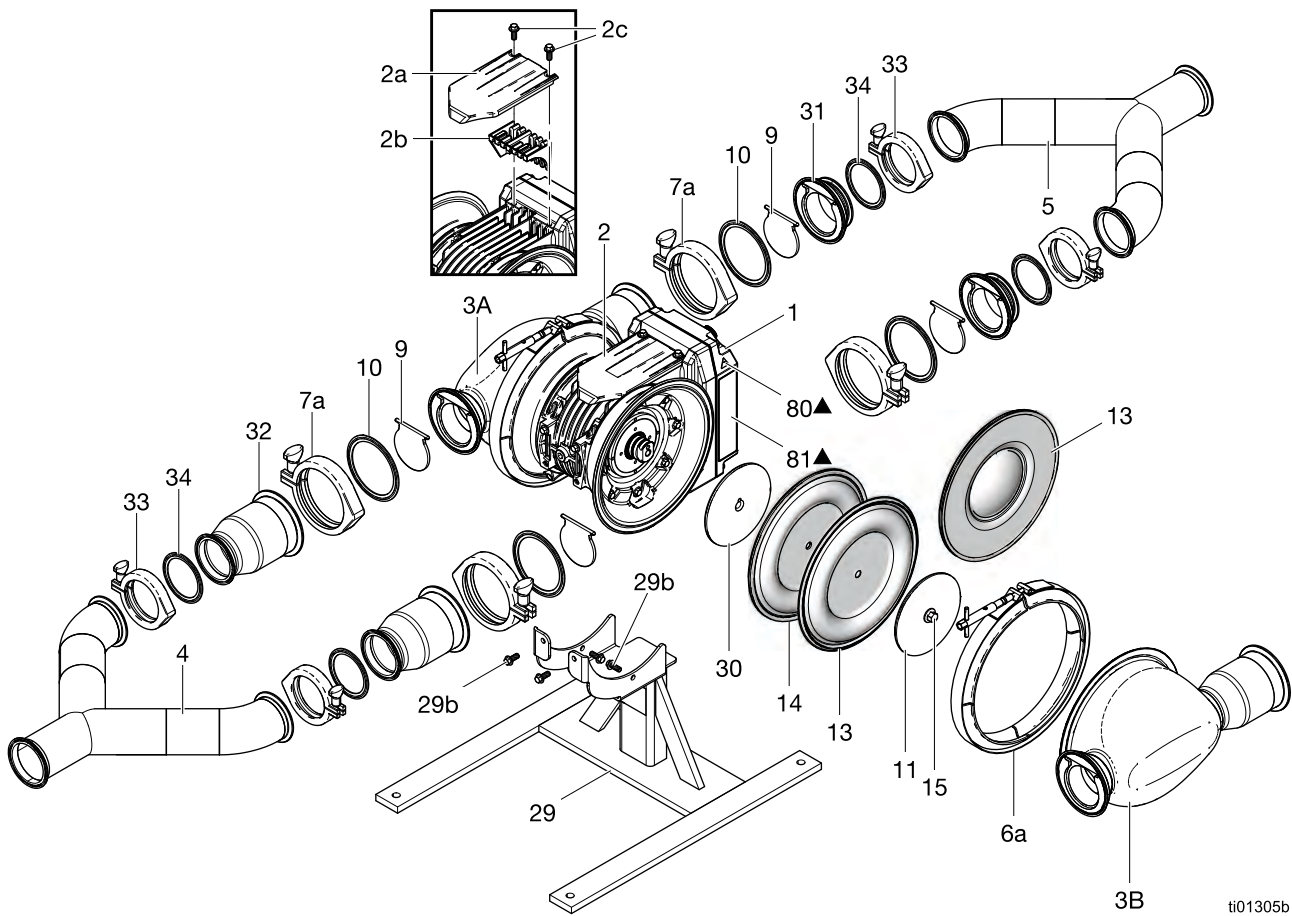
h120 (QHE) High Sanitation (HS, PH, 3A) model shown

h120 (QHF) Models



ti01304b

h120 (QHF) High Sanitation (HS) Vertical Flapper model shown (SSA/SSB)



ti01305b

h120 (QHF) High Sanitation (HS) Horizontal Flapper model shown (SSE/SSG)

Parts List

Parts are sold individually unless otherwise indicated.

Ref.	Part	Description	Qty.
1†	---	MODULE, motor	1
2		MODULE, stator shield, see page 16	1
	25V114	for FG models	
	25V115	for HS, PH, and 3A models	
2a	---	SHIELD, stator	1
2b	---	BAFFLE; not used in 480 V models	1
2c	---	FASTENER; stator shield	2
3A, 3B	---	COVER, fluid; see page 15	1 each
4	---	MANIFOLD, outlet; see page 16	1
4b†	---	PLUG, outlet manifold; supplied with Ref. 4	0 or 1
5	---	MANIFOLD, inlet; see page 16	1
5b†	---	PLUG, inlet manifold; supplied with Ref. 5	0 or 1
6a†	---	CLAMP, fluid cover; see page 18	0 or 2
7a†	---	CLAMP, manifold; see page 18	0 or 4
8	---	SEAT, ball or flapper; see page 26	4
9	---	CHECK, ball or flapper; see page 26	4
9c†	---	STOP, ball; for select models only; not shown; see page 19	0 or 4
10†	---	SEAL, packing, manifold; see page 20	0 or 4 or 8
11	---	PLATE, diaphragm, fluid side; see page 21	2
13	---	DIAPHRAGM	2
14†	---	DIAPHRAGM, backer	0 or 2
15	---	FASTENER; see page 22	2
16†	---	SEAL, packing; see page 26	0 or 2
29†	---	STAND, frame, assembly; for select models only; includes Ref. 29b; see page 22	0 or 1
29b†	---	FASTENER, stand, assembly; for select models only; included with Ref. 29	0 or 6
30		PLATE, diaphragm, air side	2
	2010731	for h30 (QHC) models	
	2003133	for h80 (QHD) flapper models	
	25V496	for h80 (QHD) models	
	2001442	for h120 (QHF) flapper models	
	25V497	for h120 (QHE)	

Additional parts for horizontal flapper pumps (i120 (QTF) SSE/SSG:

Ref.	Part	Description	Qty.
31	25P084	SEAT, inlet	2
32	25P082	CHAMBER, outlet	2
10, 34	25P065	GASKET, pkg of 4 & 4	0 or 8
33	15D475	CLAMPS, manifold	0 or 4
34	25P063	GASKET, pkg of 4	0 or 4

--- Not available separately or part number varies.

† Not included in all models.

‡ See your motor manual for specific motor models. See **Related Manuals**, page 2.

* Part not included in model.

NOTE: Replacement safety labels, tags, and cards are available at no cost.

Fluid Covers

Fluid Covers						
Ref.	Wetted Section Material	Part				
		h30 (QHC)	h80 (QHD)	h120 (QHE/F)		
3A	Metal	FG	277262	277263	277264 (QHE)	
		HS	25N995	25N996	25E575 (QHE)	
				25N997	25E576 (QHF)	
				<i>(for HS models with FL checks)</i>		
3B	Metal	PH	25P040	25P041	25P042 (QHE)	
		3A	---	25N996	25E575 (QHE)	
		FG	277262	277263	277264 (QHE)	
3B	Metal	HS	25N995	25N996	25E575 (QHE)	
				25N997(FL)	25E577 (QHF)	
		PH	25P040	25P041	25P042 (QHE)	
		3A	---	25N996	25E575 (QHE)	

Stator Shield

Carts		
Ref.	Part	Description
2	25V114	KIT,QH HYGIENIC SHIELD
2	25V115	KIT,QH HYGIENIC SHIELD

◆ *Item is a kit.*

Kits include:

- 1 stator shield
- 1 cooling fin baffle (not used in 480 V models)
- 6 fasteners (25V114)
- 4 fasteners (25V115)

Manifolds

Outlet Manifolds

Outlet Manifolds							
Ref.	Wetted Section Material	Connection	Check	Part			
				h30 (QHC)	h80 (QHD)	h120 (QHE)	h120 (QHF)
4	FG	S13	Ball	277266	277268	277270	---
		S14	Ball	24U581	24U583	24U585	---
	HS	SSA	Ball	25P019	25P021	25E578	---
			FL (Flapper)	---	25P023	---	25E579
		SSB	Ball	19B035	19B037	19B031	---
			FL (Flapper)	---	19B041	---	19B028
	SSE	FL (Flapper)	---	---	---	25P028	
	PH	SSA	Ball	17Z575	25P049	25P053	---
		SSB	Ball	---	---	---	---
	3A	SSA	Ball	---	25P021	25E578	---
		SSB	Ball	---	19B037	19B031	---

Inlet Manifolds

Inlet Manifolds							
Ref.	Wetted Section Material	Connection	Check	Part			
				h30 (QHC)	h80 (QHD)	h120 (QHE)	h120 (QHF)
5	FG	S13	Ball	277265	277267	277269	---
		S14	Ball	24U580	24U582	24U584	---
	HS	SSA	Ball	25P018	25P020	25E580	---
			FL (Flapper)	---	25P022	---	25E581
		SSB	Ball	19B034	19B036	19B030	---
			FL (Flapper)	---	19B040	---	19B029
	SSE	FL (Flapper)	---	---	---	25P028	
	PH	SSA	Ball	25P044	25P048	25P052	---
		SSB	Ball	---	---	---	---
	3A	SSA	Ball	---	25P020	25E580	---
		SSB	Ball	---	19B036	19B030	---

Clamps for Fluid Covers

Clamps for Fluid Covers								
Ref.	Wetted Section Material		h30 (QHC)		h80 (QHD)		h120 (QHE)	
			Part	Qty.	Part	Qty.	Part	Qty.
6a	Metal	FG	18F507	2	15G699	2	26C048	2
		HS	18F507	2	15H341	2	25P107	2
		PH	18F507	2	15H341	2	25P107	2
		3A	---	0	15H341	2	25P107	2

Clamps for Manifolds

Clamps for Manifolds										
Ref.	Wetted Section Material		h30 (QHC)		h80 (QHD)		h120 (QHE)		h120 (QHF)	
			Part	Qty.	Part	Qty.	Part	Qty.	Part	Qty.
7a	Metal	FG	620223	4	15D475	4	510490	4	---	---
		HS	500984	4	620223	4	15D475	4	510490	4
		PH	500984	4	620223	4	15D475	4	---	---
		3A	---	0	620223	4	15D475	4	---	---

Seats

Seats					
Ref.	Wetted Section Material	Seat Material	Part		
			h30 (QHC)	h80 (QHD)	h120 (QHE)
8	FG	SS	25A276 [♦]	26B430 [♦]	26C568 [♦]
	HS*	---	---	---	---
	PH*	---	---	---	---
	3A*	---	---	---	---

* Seat (8) included with the manifold (4, 5) or fluid cover (3).

♦ *Item is a kit.*

Kits include:

- 4 seats (8)

Checks

Checks						
Ref.	Check Material		Part			
			h30 (QHC)	h80 (QHD)	h120 (QHE)	h120 (QHF)
9	Plastic	BN	D07070♦	D0B070♦	D0F070♦	---
		EP	26B165♦	25R607♦	26B350♦	---
		FK	D07080♦	24W230♦	D0F080♦	-----
		PT	D07010♦	D0B010♦	D0F010♦	---
		SP	D07060♦	D0B060♦	D0F060♦	---
	Metal	FL	---	25P088♦	---	25E582♦
	Plastic and Metal	CW	25A299♦	26B431♦	D0F0H0♦	---

♦ *Item is a kit.*

Kits include:

- 4 checks (9)

Check Stops (Ball Models Only)

Check Stops				
Ref.	Wetted Section Material	Part		
		h30 (QHC)	h80 (QHD)	h120 (QHE)
9c	FG	---	---	---
	HS	25P089♦	25P100♦	25E584♦
	PH	25P089♦	25P100♦	25E584♦
	3A	25P089♦	25P100♦	25E584♦

♦ *Item is a kit.*

Kits include:

- 4 check stops (9c)

Manifold Seals

Manifold Seals						
Ref.	Manifold Seal Material	Wetted Section Material	Part			
			h30 (QHC)	h80 (QHD)	h120 (QHE)	h120 (QHF)
10	BN	FG	25V081♦	---	---	---
		HS	25R600♦	25R601♦	25R602♦	25R603♦
		PH	25R600♦	25R601♦	25R602♦	---
		3A	25R600♦	25R601♦	25R602♦	---
	EP	FG	26B689♦	---	26B355♦	---
		HS	25P060♦	25P061♦	25P063♦	25P064♦
		PH	25P060♦	25P061♦	25P063♦	---
		3A	25P060♦	25P061♦	25P063♦	---
	FK	FG	24Z915♦	---	26B356♦	---
		HS	26A890♦	26A891♦	26A892♦	26A893♦
		PH	26A890♦	26A891♦	26A892♦	---
		3A	26A890♦	26A891♦	26A892♦	---
	PT	FG	26B690♦	26B255♦	26B354♦	---
		HS	---	26A914†♦	---	26A916†♦
		PH	---	26A914†♦	---	---
		3A	---	26A914†♦	---	---

♦ Item is a kit.

† PTFE/EPDM bonded.

Kits include:

- 4 or 8 seals (10), as applicable

Fluid Plates

Fluid Plates				
Ref.	Wetted Section Material	h30 (QHC)	h80 (QHD)	h120 (QHE, QHF)
11	FG	15C039	189309	189299
	HS	25P117	2014123	189299
	PH	25P117	2014123	189299
	3A	---	2014123	189299

Diaphragms

Diaphragms					
Ref.	Diaphragm Material	Wetted Section Material	Part		
			h30 (QHC)	h80 (QHD)	h120 (QHE, QHF)
13, 14	BN	FG	25V216 [◆]	25V200 [◆]	25V207 [◆]
		HS			
		PH			
		3A	---		
	EO	FG	---	25V228 [◆]	25V215 [◆]
		HS	---		
		PH	---		
		3A	---		
	FK	FG	25V217 [◆]	25V201 [◆]	25V208 [◆]
		HS			
		PH			
		3A	---		
	PO	FG	25V219 [◆]	25V205 [◆]	25V214 [◆]
		HS			
		PH			
		3A	---		
	PS	FG	25P131 [◆]	25P207 [◆]	25P266 [◆]
		HS			
		PH			
		3A	---	---	---
SP	FG	25V218 [◆]	25V203 [◆]	25V209 [◆]	
	HS				
	PH				
	3A	---			

◆ *Item is a kit.*

Kits include:

- 2 diaphragms (13)
- 2 diaphragm backers (14, if applicable)
- 2 seals (16, if applicable)
- 1 packet anaerobic adhesive

Diaphragm Fasteners

Diaphragm Fasteners			
Ref.	Part		
	h30	h80 *	h120
15	189044	189410	189410

* **NOTE:** The h80 Fluid plates for HS, PH, and 3A do not require a separate fastener. The fastener is installed into the fluid plate by the factory for those plates.

Stands

Stands						
Ref.	Wetted Section Material	Part				
		h30 (QHC) 1-inch ports	h80 (QHD) 2-inch ports	h120 (QHE) 2- & 3-inch ports	h120 (QHF) 2- & 3-inch ports Vertical (SSA/SSB)	h120 (QHF) 2- & 3-inch ports Horizontal (SSE/SSG)
29	FG	---	2008444	2008444	---	---
	HS	19C461	---	2008444	2008444	25V102
	PH	19C461	---	2008444	---	---
	3A	19C461	---	2008444	---	---

Cart

Carts			
Ref.	Part		
	h30 (QHC)	h80 (QHD)	h120 (QHE)
	25U599	25U599	25U599
	FDA, HS, PH,3A	FDA only	FDA only

Maintenance Bracket Stand

Maintenance Bracket Stand		
Ref.	Part	Description
31	18F978	STAND, Maintenance Bracket

Fluid Repair Kits

See **Configuration Matrix** on page 3 for definitions of the seat, check, diaphragm, and seals materials.

As applicable, all Fluid Repair Kits include:

- 4 seats
- 4-8 manifold gaskets
- 4 checks
- 2 diaphragms
- 2 diaphragm backers
- 2 diaphragm bolts
- 2 diaphragm bolt O-rings
- 1 adhesive

h30 (QHC)

h30 (QHC)	
Part	Seat, Check, Diaphragm, Seals Materials
Wetted Section: FG	
25V230	SS,CW,PO,PT
25V231	SS,CW,PO,EP
25V232	SS,CW,PS,EP
25V233	SS,CW,PS,PT
25V234	SS,CW,SP,PT
25V235	SS,CW,SP,EP
25V236	SS,FK,FK,FK
25V237	SS,PT,PO,PT
25V238	SS,PT,PO,EP
25V239	SS,PT,PS,PT
25V240	SS,PT,PS,EP
25V242	SS,SP,SP,PT
25V243	SS,SP,SP,EP
25V244	SS,BN,BN,BN
Wetted Section: HS, PH, 3A	
25V246	--,CW,PO,EP
25V247	--,CW,PS,EP
25V250	--,CW,SP,EP
25V251	--,FK,FK,FK
25V253	--,PT,PO,EP

h30 (QHC)	
Part	Seat, Check, Diaphragm, Seals Materials
25V255	--,PT,PS,EP
25V257	--,SP,SP,EP
25V258	--,BN,BN,BN

h80 (QHD)

h80 (QHD)	
Part	Seat, Check, Diaphragm, Seals Materials
Wetted Section: FG	
25V323	SS,CW,PO,PT
25V324	SS,CW,PS,PT
25V325	SS,CW,SP,PT
25V326	SS,CW,SP,EP
25V327	SS,FK,FK,FK
25V328	SS,PT,PO,PT
2009557	SS,PT,PO,EP
25V329	SS,PT,PS,PT
25V330	SS,SP,SP,EP
25V331	SS,BN,BN,EP
25V332	SS,EP,EO,EP
25V333	SS,PT,EO,EP
25V334	SS,CW,EO,EP
Wetted Section: HS, PH, 3A	
25V335	--,CW,PO,EP
25V336	--,CW,PS,EP
25V337	--,CW,SP,EP
25V338	--,FK,FK,FK
25V339	--,PT,PO,EP
25V340	--,PT,PS,EP
25V341	--,SP,SP,EP
25V342	--,BN,BN,BN

h80 (QHD)	
Part	Seat, Check, Diaphragm, Seals Materials
25V343	--,EP,EO,EP
25V344	--,PT,EO,EP
25V345	--,CW,EO,EP
25V346	FL,--,PO,EP
25V347	FL,--,PS,EP
25V348	FL,--,SP,EP
25V349	FL,--,FK,FK
2009558	FL,--,BN,EP

h120 (QHE)

h120 (QHE)	
Part	Seat, Check, Diaphragm, Seals Materials
Wetted Section: FG	
25V375	SS,CW,PO,PT
25V376	SS,CW,PS,PT
25V377	SS,CW,SP,PT
25V378	SS,CW,SP,EP
25V379	SS,FK,FK,FK
25V380	SS,PT,PO,PT
2009559	SS,PT,PO,EP
25V381	SS,PT,PS,PT
25V382	SS,SP,SP,EP
25V383	SS,BN,BN,EP
25V384	SS,EP,EO,EP
25V385	SS,PT,EO,EP
25V386	SS,CW,EO,EP
Wetted Section: HS, PH, 3A	
25V387	--,CW,PO,EP
25V388	--,CW,PS,EP
25V389	--,CW,SP,EP
25V390	--,FK,FK,FK
25V391	--,PT,PO,EP

h120 (QHE)	
Part	Seat, Check, Diaphragm, Seals Materials
25V392	--,PT,PS,EP
25V394	--,SP,SP,EP
25V395	--,BN,BN,BN
25V396	--,EP,EO,EP
25V397	--,PT,EO,EP
25V399	--,CW,EO,EP

h120 (QHF)

h120 (QHF)	
Part	Seat, Check, Diaphragm, Seals Materials
Wetted Section: HS	
2002683	FL, --, PO, EP
2002693	FL, --, PS, EP
2002694	FL, --, SP, EP
2002695	FL, --, FK, EP
2002696	FL, --, BN, EP

Graco Standard Warranty

Graco warrants all equipment referenced in this document which is manufactured by Graco and bearing its name to be free from defects in material and workmanship on the date of sale to the original purchaser for use. With the exception of any special, extended, or limited warranty published by Graco, Graco will, for a period of twelve months from the date of sale, repair or replace any part of the equipment determined by Graco to be defective. This warranty applies only when the equipment is installed, operated and maintained in accordance with Graco's written recommendations.

This warranty does not cover, and Graco shall not be liable for general wear and tear, or any malfunction, damage or wear caused by faulty installation, misapplication, abrasion, corrosion, inadequate or improper maintenance, negligence, accident, tampering, or substitution of non-Graco component parts. Nor shall Graco be liable for malfunction, damage or wear caused by the incompatibility of Graco equipment with structures, accessories, equipment or materials not supplied by Graco, or the improper design, manufacture, installation, operation or maintenance of structures, accessories, equipment or materials not supplied by Graco.

This warranty is conditioned upon the prepaid return of the equipment claimed to be defective to an authorized Graco distributor for verification of the claimed defect. If the claimed defect is verified, Graco will repair or replace free of charge any defective parts. The equipment will be returned to the original purchaser transportation prepaid. If inspection of the equipment does not disclose any defect in material or workmanship, repairs will be made at a reasonable charge, which charges may include the costs of parts, labor, and transportation.

THIS WARRANTY IS EXCLUSIVE, AND IS IN LIEU OF ANY OTHER WARRANTIES, EXPRESS OR IMPLIED, INCLUDING BUT NOT LIMITED TO WARRANTY OF MERCHANTABILITY OR WARRANTY OF FITNESS FOR A PARTICULAR PURPOSE.

Graco's sole obligation and buyer's sole remedy for any breach of warranty shall be as set forth above. The buyer agrees that no other remedy (including, but not limited to, incidental or consequential damages for lost profits, lost sales, injury to person or property, or any other incidental or consequential loss) shall be available. Any action for breach of warranty must be brought within two (2) years of the date of sale.

GRACO MAKES NO WARRANTY, AND DISCLAIMS ALL IMPLIED WARRANTIES OF MERCHANTABILITY AND FITNESS FOR A PARTICULAR PURPOSE, IN CONNECTION WITH ACCESSORIES, EQUIPMENT, MATERIALS OR COMPONENTS SOLD BUT NOT MANUFACTURED BY GRACO. These items sold, but not manufactured by Graco (such as electric motors, switches, hose, etc.), are subject to the warranty, if any, of their manufacturer. Graco will provide purchaser with reasonable assistance in making any claim for breach of these warranties.

In no event will Graco be liable for indirect, incidental, special or consequential damages resulting from Graco supplying equipment hereunder, or the furnishing, performance, or use of any products or other goods sold hereto, whether due to a breach of contract, breach of warranty, the negligence of Graco, or otherwise.

FOR GRACO CANADA CUSTOMERS

The Parties acknowledge that they have required that the present document, as well as all documents, notices and legal proceedings entered into, given or instituted pursuant hereto or relating directly or indirectly hereto, be drawn up in English. Les parties reconnaissent avoir convenu que la rédaction du présente document sera en Anglais, ainsi que tous documents, avis et procédures judiciaires exécutés, donnés ou intentés, à la suite de ou en rapport, directement ou indirectement, avec les procédures concernées.

Graco Information

For the latest information about Graco products, visit www.graco.com.

For patent information, see www.graco.com/patents.

TO PLACE AN ORDER, contact your Graco distributor or call to identify the nearest distributor.

Phone: 612-623-6921 **or Toll Free:** 1-800-328-0211, **Fax:** 612-378-3505

All written and visual data contained in this document reflects the latest product information available at the time of publication. Graco reserves the right to make changes at any time without notice.

Original instructions. This manual contains English. MM 3A9287

Graco Headquarters: Minneapolis

International Offices: Belgium, China, Japan, Korea

GRACO INC. AND SUBSIDIARIES • P.O. BOX 1441 • MINNEAPOLIS MN 55440-1441 • USA
Copyright 2022, Graco Inc. All Graco manufacturing locations are registered to ISO 9001.

www.graco.com

Revision K, February 2026