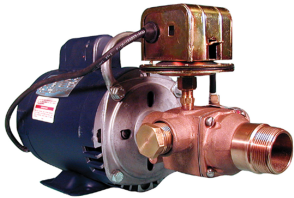


RUBBER IMPELLER PUMP BRONZE CLOSE COUPLED

RUBBER IMPELLER PUMPS SERIES 406M

PERFORMANCE



FEATURES

- All Bronze Construction
- Stainless Steel Shafts
- Portable
- Compact
- Easy Impeller Replacement
- Macerator Easily Replaced
- Reversible Wear Plate
- Vacuum Switch Shut-off Optional

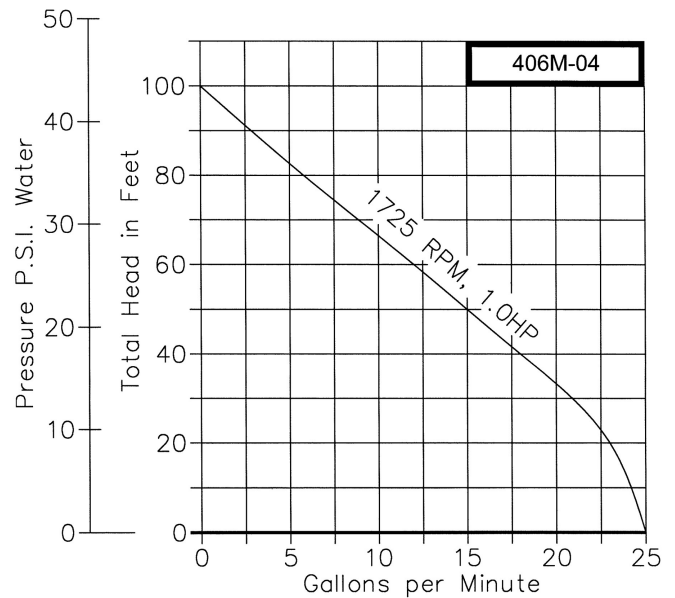
DRIVE

Close coupled Rubber Impeller Pumps are mounted directly onto the electric motor without the use of a shaft coupling. This pump is coupled to a standard motor with Nema C flange. It uses a bronze adapter plate to accommodate the pump.

LIQUIDS AND TEMPERATURE

Liquids handled by Rubber Impeller Pumps with standard Neoprene impellers are primarily fresh or salt water and water solutions. Rubber Impeller Pumps are not suitable for pumping gasoline or solvents. Nitrile impellers can handle oil contaminated water and kerosene at reduced impeller service life.

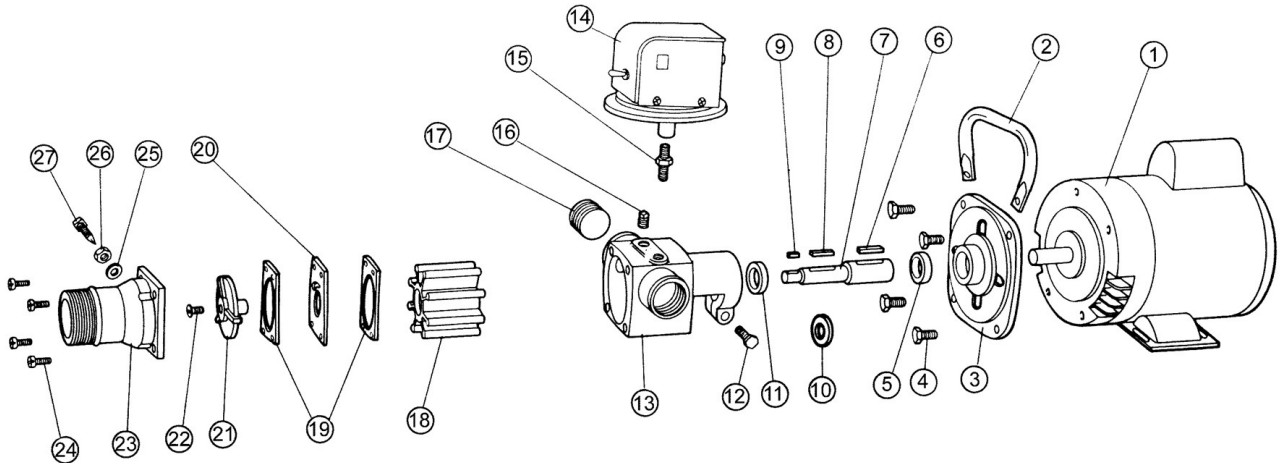
Liquid temperature range is from 40o F to 180oF. If freezing conditions are expected, the pump should be drained by loosening the cover screws and the pump chamber should be filled with antifreeze. Viscous liquids and oils cannot be pumped with Rubber Impeller Pumps.



SUCTION LIFT

On initial start-up, Rubber Impeller Pumps must be primed to prevent dry-running of the impeller. **DO NOT RUN DRY.** Suction lifts of 15 ft. are possible when pump is fully primed. A foot valve with built-in strainer at the beginning of the suction line is recommended. Suction lines should be as short as possible.

EXPLODED VIEW AND PARTS LIST



Part No.	1	2	3	4	5	6	7	8	9	10	11	12	13
	Motor	Handle	Adapter	Screw	Collar	Key	Shaft	Key	Key	Washer	Seal	Screw	Body
	1 Req'd	1 Req'd	1 Req'd	4 Req'd	1 Req'd	1 Req'd	1 Req'd	1 Req'd	1 Req'd	1 Req'd	1 Req'd	1 Req'd	1 Req'd
406M-04	---	---	7459	5411	5886	6845	7519	5475	6947	6631	32230	5595	7040
406M-04N26	7055	9773	7459	5411	5886	6845	7519	5475	6947	6631	32230	5595	7040
406MK-04N26	7055	9773	7459	5411	5886	6845	7519	5475	6947	6631	32230	5595	7040
Part No.	14	15	16	17	18	19	20	21	22	23	24	25	26
	Vacuum	Nipple	Pipe	Pipe	Impeller	Gasket	Plate	Wheel	Screw	Cover	Screw	Washer	Jam Nut
	Switch		Plug	Plug									
	1 Req'd	1 Req'd	2 Req'd	1 Req'd	1 Req'd	2 Req'd	1 Req'd	1 Req'd	1 Req'd	1 Req'd	4 Req'd	1 Req'd	1 Req'd
406M-04	---	---	7043	7189	6603	7188	7101	7075	6437	7100	8229	7255	7256
406M-04N26	---	---	7043	7189	6603	7188	7101	7075	6437	7100	8229	7255	7256
406MK-04N26	7046	7050	7043	7189	6603	7188	7101	7075	6437	7100	8229	7255	7256
Part No.	27	28	29	30	31	32	33	34			*Repair Kits contain items		
	Pick	Cord	Terminal	Wire	Wire	Washer	Screw	Cord	Repair		11, 18 & 19.		
	Screw		Spade	Nut	Nut	(Handle)	(Handle)		Kits*		Vacuum Switch Repair Kit		
	1 Req'd	1 Req'd	1 Req'd	1 Req'd	2 Req'd	2 Req'd	2 Req'd	1 Req'd			is p/n 10798. Kit contains		
406M-04	7258	---	---	---	---	---	---	---	10956		items 14, 15, 29 & 34.		
406M-04N26	7258	7044	7297	9850	9857	6831	5974	---	10956				
406MK-04N26	7258	7044	7297 ¹	9850	9857	6831	5974	7047	10956		¹ Five Required.		
Items 28 - 34 are not shown on illustration.													

DIMENSIONS

