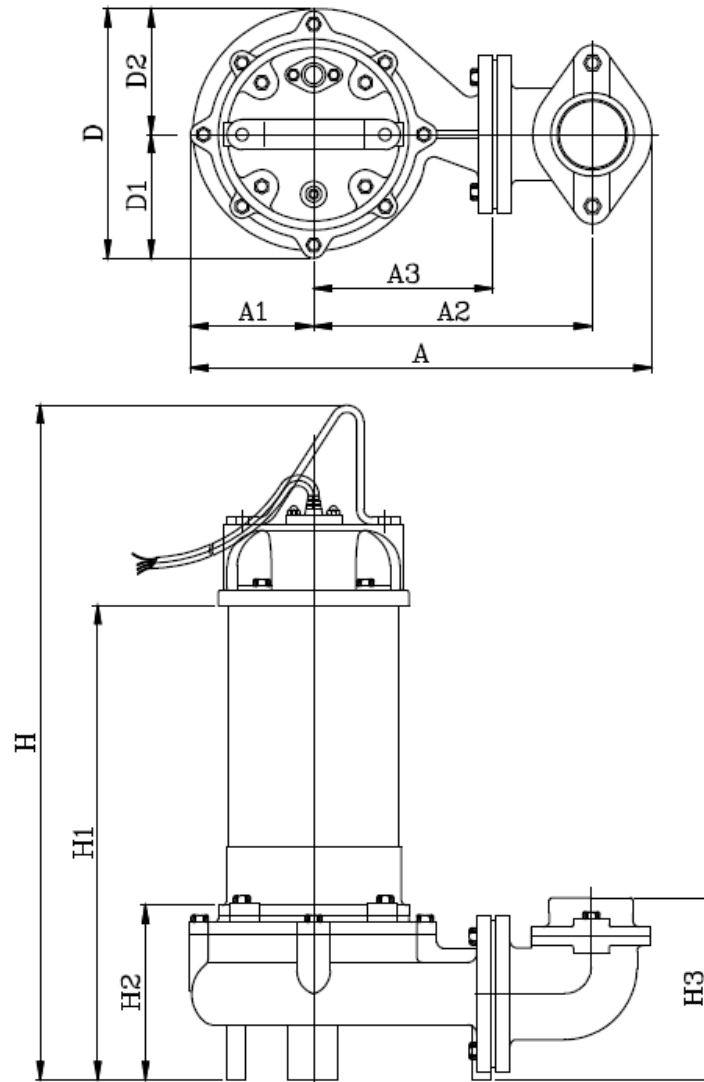




### SS-300



Type	Discharge	A	A1	A2	A3	D	D1	D2	H	H1	H2	H3
Dimensions	2" or 3" NPT Female	15.57"	4.06"	9.26"	5.95"	8.27"	4.14"	4.14"	21.75"	16.55"	5.91"	5.99"

Specifications subject to change without notice