



PVC and CPVC

Now Available in Platinum GFPP!

TB Series True Union Ball Valves

1/4" TO 3/8" PVC AND
1/2" TO 2" PVC, CPVC AND GFPP

KEY FEATURES

- PVC, CPVC and GFPP
- Full Port Design
- Reversible PTFE Seats
- Double O-Ring Stem Seals
- Easily Actuated
- NSF/ANSI 61 Listed (PVC and CPVC)

OPTIONS

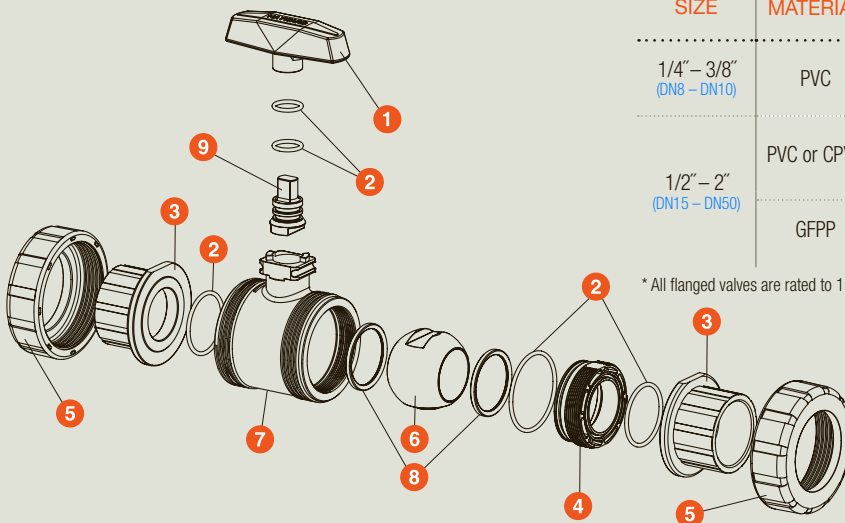
- Lockouts Available
- 2" Square Operating Nut
- Stem Extensions
- Pneumatic and Electric Actuators
- Spring Return Handle

MATERIALS

- PVC Cell Class 12454 per ASTM D1784
- CPVC Cell Class 23447 per ASTM D1784
- GFPP Cell Class 85580 per ASTM D4101
- FPM and EPDM O-Ring Seals

TECHNICAL INFORMATION

EXPLODED VIEW



SELECTION CHART

SIZE	MATERIAL	END CONNECTION	SEALS	PRESSURE RATING
1/4" – 3/8" (DN8 – DN10)	PVC	Socket or Threaded	FPM or EPDM	250 PSI @ 70°F Non-Shock
1/2" – 2" (DN15 – DN50)	PVC or CPVC	Socket and Threaded or Flanged*		
	GFPP	Threaded or Flanged		150 PSI @ 70°F Non-Shock

* All flanged valves are rated to 150 PSI @ 70°F Non-Shock

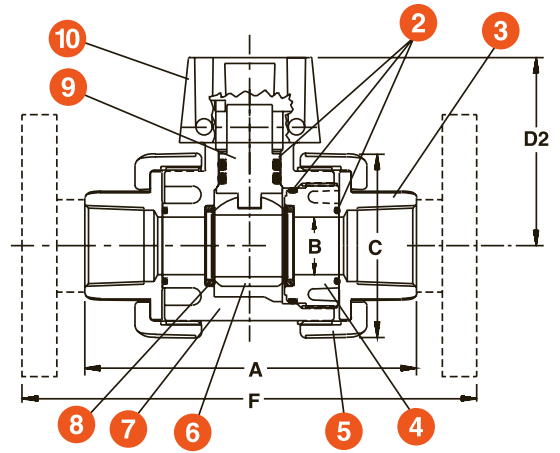
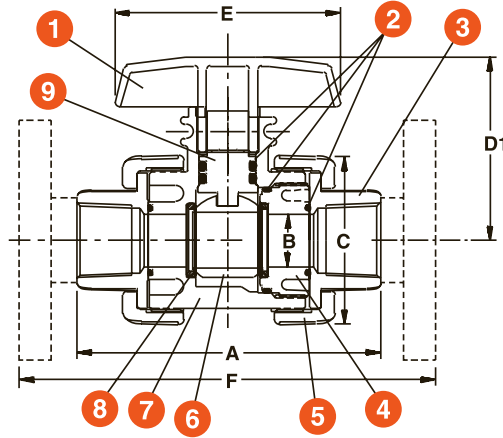
TB Series True Union Ball Valves

1/4" TO 2" PVC, CPVC AND GFPP

TECHNICAL INFORMATION, CONTINUED

PARTS LIST

1. Handle
2. O-Ring Seals
3. End Connector
4. Seal Retainer
5. Union Nut
6. Ball
7. Body
8. PTFE Seat
9. Stem
10. Actuator Mounting Pad



DIMENSIONS

SIZE in/DN	A in/mm	B in/mm	C in/mm	D1 in/mm	D2 in/mm	E in/mm	F in/mm	WEIGHT lbs/kg	
								SOC/THD	FLANGED
1/4/8	4.77/121	.50/13	2.25/57	2.81/71	2.63/67	3.50/89	N/A	.75/.34	N/A
3/8/10	4.77/121	.50/13	2.25/57	2.81/71	2.63/67	3.50/89	N/A	.75/.34	N/A
1/2/15*	4.77/121	.50/13	2.25/57	2.81/71	2.63/67	3.50/89	6.75/171	.75/.34	1.00/.45
3/4/20*	4.85/123	.75/19	2.63/67	3.02/77	2.81/71	3.50/89	7.13/181	.75/.34	1.00/.45
1/25*	5.44/138	.93/24	3.00/76	3.26/83	3.05/77	4.00/102	8.09/205	1.15/.52	2.15/.98
1-1/4/32*	6.30/160	1.50/38	4.00/102	3.92/100	3.48/88	5.00/127	9.19/233	2.15/.98	3.50/1.59
1-1/2/40*	6.85/174	1.50/38	4.00/102	3.92/100	3.48/88	5.00/127	9.88/251	2.15/.98	3.75/1.70
2/50*	8.00/203	1.94/49	4.75/121	4.43/113	4.00/102	5.00/127	11.4/290	3.80/1.72	6.30/2.86

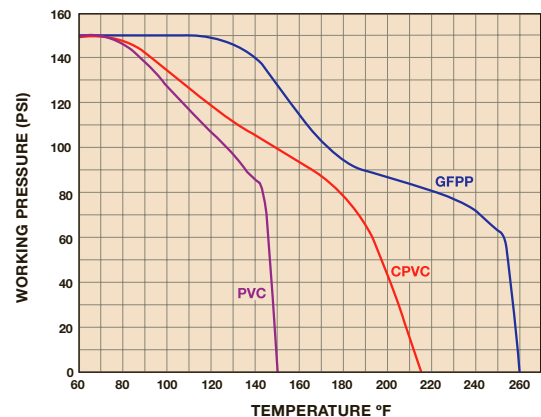
Dimensions are subject to change without notice – consult factory for installation information

* Metric End Connections Available In: BSP – Straight Thread, BSP TR – Tapered Thread and Metric Socket

Cv VALUES

SIZE in/DN	Cv VALUES	SIZE in/DN	Cv VALUES	PRESSURE LOSS CALCULATION FORMULA
1/4/8	1.0	1/25	29.0	$\Delta P = \left[\frac{Q}{Cv} \right]^2$ <p> ΔP = Pressure Drop Q = Flow in GPM Cv = Flow Coefficient </p>
3/8/10	2.8	1-1/4/32	75.0	
1/2/15	8.0	1-1/2/40	90.0	
3/4/20	16.0	2/50	150.0	

OPERATING TEMPERATURE/PRESSURE



Hayward is a registered trademark of Hayward Industries, Inc. © 2015 Hayward Industries, Inc.

Contact Hayward Flow Control with questions: **USA:** 1-888-429-4635 • Fax: 1-888-778-8410 • One Hayward Industrial Drive • Clemmons, NC 27012 USA
Canada: 1.888.238.7665 • Fax: 1.905.829.3636 • 2880 Plymouth Drive • Oakville, ON L6H 5R4 Canada • Email: hflowcanada@haywardnet.com
 Visit us at: www.haywardflowcontrol.com • E-mail: hflow@haywardnet.com