

Yamada America, Inc.
955 East Algonquin Rd
Arlington Heights, IL 60005
Phone: 847.631.9200
Fax: 847.631.9273
www.yamadapump.com

Model: NDP-40BPE
Part # 852422



| Reference No. | Description | Q'ty | Part No. |
|---------------|--------------------|------|----------|
| 1 | Out Chamber | 2 | 780147 |
| 2 | In Manifold | 2 | 780244 |
| 3 | Out Manifold | 2 | 780150 |
| 4 | Center Manifold | 2 | 780248 |
| 5 | Body Assembly | 1 | 803111 |
| 7 | Center Rod | 1 | 711900 |
| 8 | Center Disk | 2 | 711902 |
| 9 | Center Disk | 2 | 771725 |
| 10 | Diaphragm | 2 | 771854 |
| 11 | Valve Seat | 4 | 772096 |
| 12 | Ball | 4 | 770593 |
| 14 | Ball Valve | 1 | 684321 |
| 15 | Elbow | 1 | 682523 |
| 16 | Bushing | 1 | 684339 |
| 19 | Stand Body | 2 | 711925 |
| 20 | Cushion | 4 | 771865 |
| 23 | Bolt | 16 | 686156 |
| 24 | Plain Washer | 68 | 631330 |
| 25 | Spring Lock Washer | 44 | 680257 |
| 26 | Bolt | 16 | 621183 |
| 33 | Bolt | 4 | 621179 |
| 34 | Nut | 24 | 628013 |
| 35 | Bolt | 4 | 621149 |
| 36 | Nut with Flange | 4 | 683837 |
| 37 | Bolt | 8 | 683542 |
| 39 | O-ring | 4 | 683998 |
| 40 | O-ring | 4 | 684121 |
| 46 | Cap | 4 | 683641 |
| 51 | Cushion | 2 | 770582 |
| 53 | O-ring | 4 | 685447 |

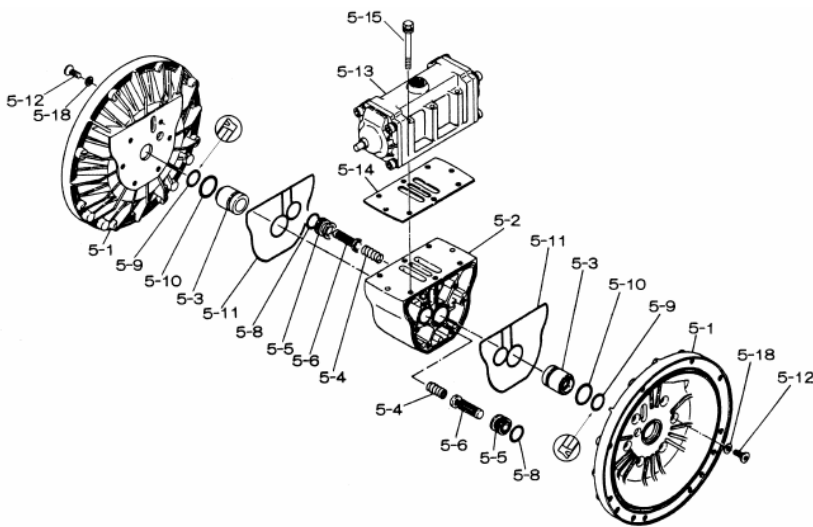
Repair Kits

K40-PE Liquid Side Kit includes the following:

| | | | |
|----|-----------|---|--------|
| 10 | Diaphragm | 2 | 771854 |
| 12 | Ball | 4 | 770593 |
| 53 | O-ring | 4 | 685447 |
| 40 | O-ring | 4 | 684121 |

K45-AM Air Side Kit includes the following:

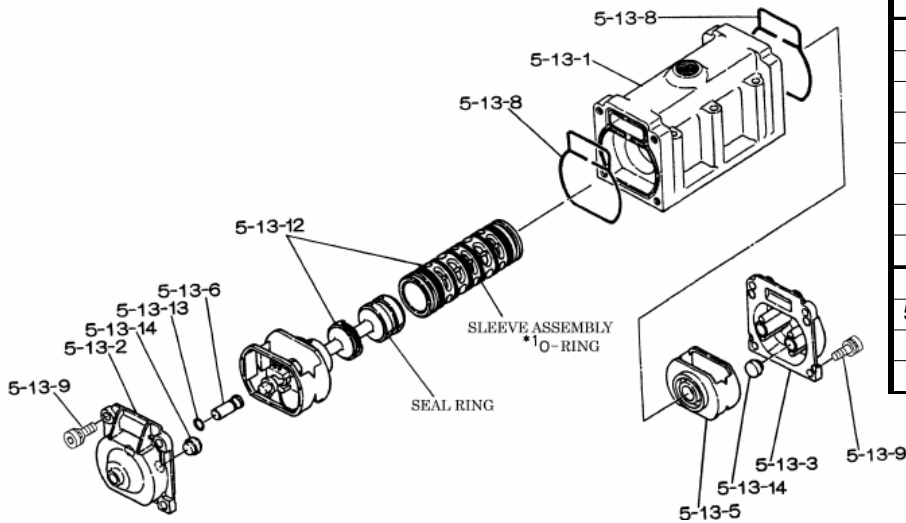
| | | | |
|----------------|----------------------|----|--------|
| 5-3 | Throat Bearing | 2 | 772689 |
| 5-4 | Spring | 2 | 711937 |
| 5-5 | Valve Seat | 2 | 771740 |
| 5-6 | Pilot Valve Assembly | 2 | 832162 |
| 5-8 | O-ring | 7 | 640020 |
| 5-9 | Packing | 2 | 685444 |
| 5-10 | O-ring | 2 | 640029 |
| 5-11 | Gasket | 2 | 771742 |
| 5-14 | Gasket | 1 | 771712 |
| 5-13-8 | Gasket | 2 | 771738 |
| 5-13-12 Seal | Seal Ring | 15 | 771732 |
| 5-13-12 Sleeve | Sleeve Assembly | 1 | 803675 |



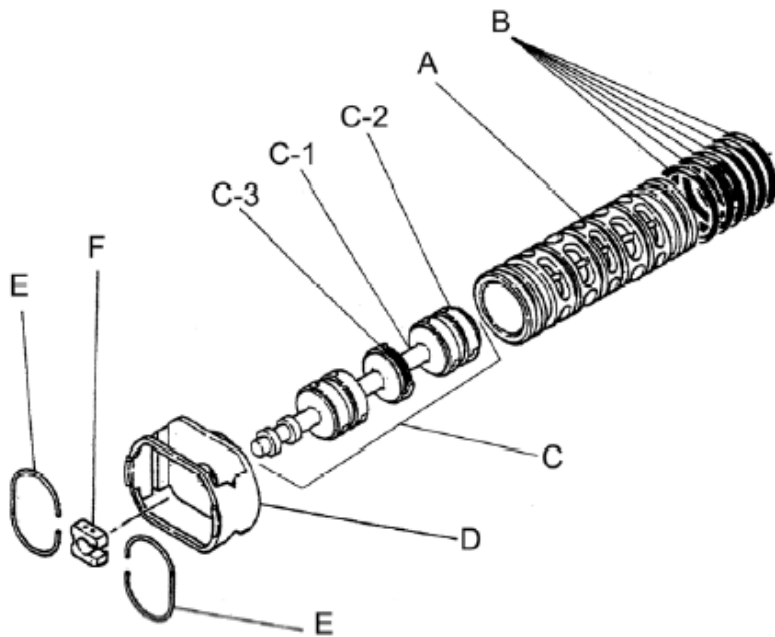
Body Assembly 803111

| Reference No. | Description | Q'ty | Part No. |
|---------------|----------------------|------|----------|
| 5-1 | Air Chamber | 2 | 711933 |
| 5-2 | Body | 1 | 711936 |
| 5-3 | Throat Bearing | 2 | 772689 |
| 5-4 | Spring | 2 | 711937 |
| 5-5 | Pilot Valve Seat | 2 | 771740 |
| 5-6 | Pilot Valve Assembly | 2 | 832162 |
| 5-8 | O-ring | 2 | 640020 |
| 5-9 | Packing | 2 | 685444 |
| 5-10 | O-ring | 2 | 640029 |
| 5-11 | Gasket | 2 | 771742 |
| 5-12 | Flat Head Bolt | 12 | 683812 |
| 5-13 | Valve Body Assembly | 1 | 802971 |
| 5-14 | Gasket | 1 | 771712 |
| 5-15 | Bolt | 6 | 684240 |
| 5-18 | Plain Washer | 12 | 684987 |

Yamada America, Inc.
 955 East Algonquin Rd
 Arlington Heights, IL 60005
 Phone: 847.631.9200
 Fax: 847.631.9273
 www.yamadapump.com



| 802971 Valve Body Assembly | | | |
|----------------------------|---------------------|------|----------|
| Reference No. | Description | Q'ty | Part No. |
| 5-13-1 | Valve Body | 1 | 711931 |
| 5-13-2 | Cap A | 1 | 580999 |
| 5-13-3 | Cap B | 1 | 581000 |
| 5-13-5 | Spring Stopper | 1 | 771735 |
| 5-13-6 | Reset Button | 1 | 712976 |
| 5-13-8 | Gasket | 2 | 771738 |
| 5-13-9 | Bolt | 8 | 685036 |
| 5-13-12 | C Spool Valve Assy. | 1 | 803115 |
| 5-13-12 Seal | Seal Ring | 15 | 771732 |
| 5-13-12 Sleeve | Sleeve Assembly | 1 | 803675 |
| 5-13-13 | O-ring | 1 | 640005 |
| 5-13-14 | Cushion | 4 | 684128 |



| 803115 Air Valve Assembly (5-13-12) | | | |
|-------------------------------------|-----------------|------|----------|
| Reference No. | Description | Q'ty | Part No. |
| A | Sleeve | 1 | 803675 |
| B | O-ring | 6 | 640036 |
| C | Spool Assembly | 1 | 803114 |
| C-1 | Spool | 1 | 771733 |
| C-2 | Seal Ring | 15 | 771732 |
| C-3 | O-ring | 5 | 640020 |
| D | Spring Retainer | 1 | 771735 |
| E | C-Spring | 2 | 711932 |
| F | Block | 1 | 771734 |

Yamada America, Inc.
955 East Algonquin Rd
Arlington Heights, IL 60005
Phone: 847.631.9200
Fax: 847.631.9273
www.yamadapump.com