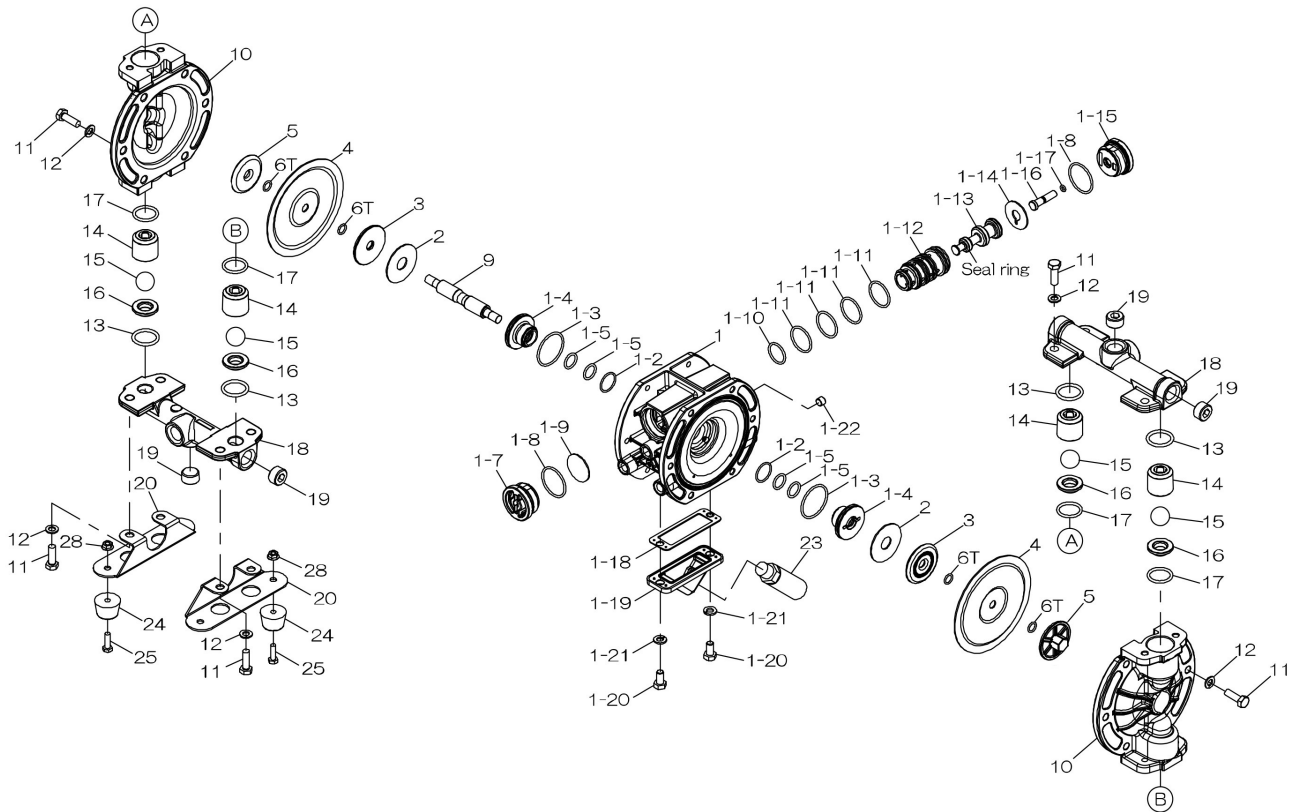
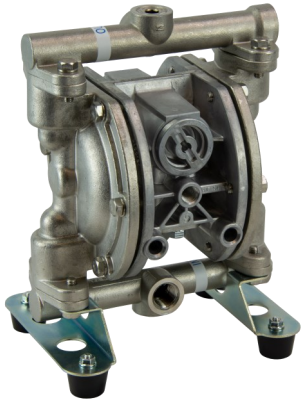


EXPLODED VIEW & PARTS LISTING

Model: G15ST11
Model #: 854735

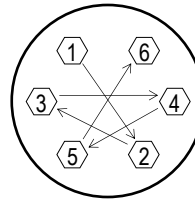


Air Operated Double Diaphragm Pump



Air Operated Double Diaphragm Pump

REF.NO.	PART NO.	DESCRIPTION	QTY.	REORDER
1	805130	BODY ASSY NPT	1	
1-1	717082	BODY NPT	1	
1-2	684725	O RING (NBR)	2	
1-3	686733	O RING (NBR)	2	
1-4	773279	GUIDE BUSH	2	
1-5	640015	O RING	4	
1-7	716917	CAP A	1	
1-8	686734	O RING (NBR)	2	
1-9	773280	CUSHION	1	
1-10	685276	O RING	1	
1-11	686029	O RING (BUNA)	4	
1-12	716950	SLEEVE	1	
1-13	805131	SPOOL ASSY	1	
1-14	773281	CUSHION	1	
1-15	716918	CAP B	1	
1-16	717035	RESET BUTTON	1	
1-17	640002	O RING	1	
1-18	773283	GASKET	1	
1-19	717083	COVER NPT	1	
1-20	611145	BOLT	2	
1-21	631916	WAVE WASHER M8	2	
1-22	634360	PLUG 1/8"	1	
2	773278	CUSHION	2	
3	716923	CENTER DISK	2	
4	773276	DIAPHRAGM (PTFE)	2	
5	717215	CENTER DISK	2	
6T	643007	O RING	4	
9	717100	CENTER ROD	1	
10	716927	OUT CHAMBER	2	
11	621149	BOLT HET FT	20	
12	631936	WAVE WASHER	20	
13	643025	O RING	4	
14	717208	VALVE STOPPER	4	
15	773423	BALL (PTFE)	4	
16	717210	VALVE SEAT	4	
17	643130	O RING	4	
18	716929	MANIFOLD NPT	2	
19	686789	PLUG 1/8"	4	
20	717186	BASE	2	
23	682520	SILENCER NPT 3/8	1	
24	771123	FOOT RUBBER	4	
25	611101	BOLT	4	
28	682817	NUT W/ FLANGE	4	
KIT	KG15-MT	LIQUID END KIT		
KIT	KG15-AM-M	AIR MOTOR KIT		



Tightening torque for center rod and out chambers.

Center Rod 160 in-lbf {18 N-m}
Out Chambers 105 in-lbf {12 N-m}

Tightening torque for manifold retainer bolts.

G15ST 160 in-lbf {18 N-m}

General Tools:

- Socket wrench - 10mm, 13mm, 17MM
- Hexagonal box wrenches - 5mm
- Open-end wrench - 10mm, 13mm, 17mm

Special Tools (sold separately):

- Cap & disc remover (771132)
- Sleeve remover (713148)

Miscellaneous:

- Assembly Oil—turbine oil none additional class 1 (equivalent to ISO VGA32 grade)
- Urea grease grade (NLGI) No. 2
- Thread locking agent (equivalent to LOCTITE® 222)

Customer Notes

Model #: _____
 Description: _____
 Serial #: _____
 Date Installed: _____
 Department Location: _____
 Tag/Project: _____