

SALES & ENGINEERING DATA

RATIO SERIES: **1:1**

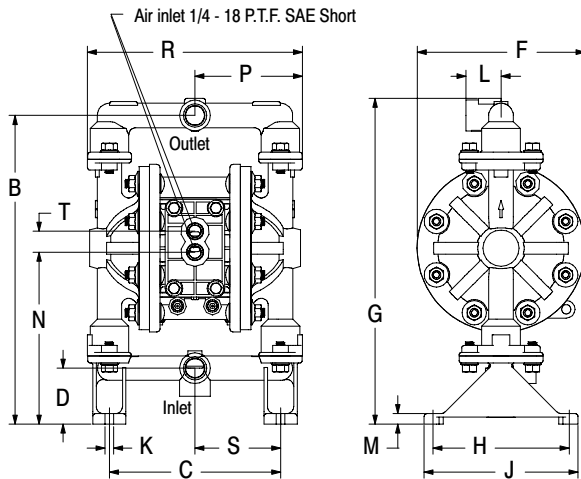
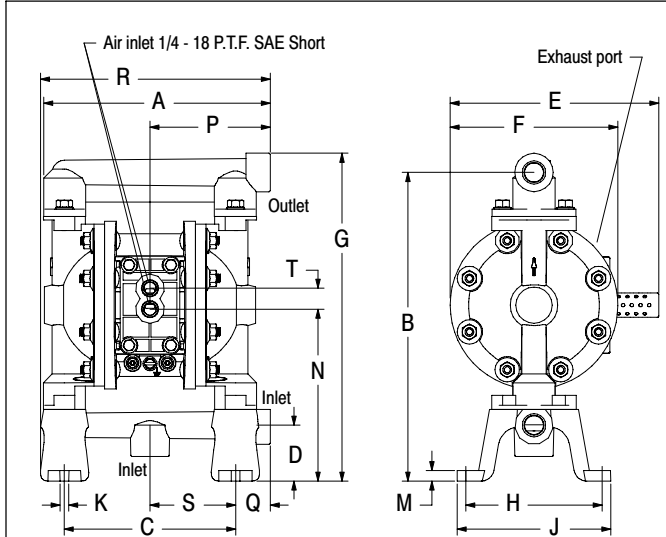
FLUID P.S.I. RANGE: **10 - 100**

PE05A-XXS-XXX-B0S & PE05R-XXS-XXX-B0S

1/2" METALLIC DIAPHRAGM PUMP

RELEASED: 12-9-05
 REVISED: 6-9-10
 (REV. 03) S-1389

DIMENSIONAL DATA



DIMENSIONS

A 8-1/8" (206.0 mm)	G see below	N 6-5/32" (156.3 mm)
B 11-1/16" (280.4 mm)	H 4-7/8" (123.8 mm)	P see below
C 6-1/8" (155.6 mm)	J 5-1/2" (139.7 mm)	Q 1-1/4" (31.6 mm)
D 2" (50.8 mm)	K 5/16" (7.9 mm)	R see below
E 7-15/32" (189.7 mm)	L 1-1/4" (31.8 mm)	S 3-1/16" (77.8 mm)
F 6" (152.4 mm)	M 3/8" (9.5 mm)	T 3/4" (19.1 mm)

Dimension	PE05A-XXS-XXX-B0S	PE05R-XXS-XXX-B0S
"G"	11-3/4" (297.9 mm)	11-21/32" (296.0 mm)
"P"	4-5/16" (109.3 mm)	3-27/32" (97.4 mm)
"R"	8-7/32" (208.5 mm)	7-11/16" (195.2 mm)

NOTE: Dimensions are shown in inches and (mm) and are supplied for reference only.

SPECIFICATIONS

CONSTRUCTION

Model Series	PE05X-XXS-XXX-B0S
Pump Type	Metallic, Air Operated, Double Diaphragm
Ratio	1:1
Material Inlet / Outlet (female)	
PE05X-AXS-XXX-B0S	1/2 - 14 N.P.T.F. - 1
PE05X-BXS-XXX-B0S	Rp 1/2 (1/2 - 14 BSP parallel)
Air Inlet (female)	1/4 - 18 P.T.F. SAE short
Air Exhaust (PE05A-XXS-XXX-B0S)	3/8 - 18 N.P.T.F. - 1
(PE05R-XXS-XXX-B0S)	internal
(optional) (PE05R-X-X-B0S)	3/8 - 18 N.P.T.F. - 1
Weight	
PE05A-XAS-XXX-B0S	8.87 lbs (4.02 kgs)
PE05A-XSS-XXX-B0S	15.08 lbs (6.84 kgs)
PE05R-XAS-XXX-B0S	7.62 lbs (3.46 kgs)
PE05R-XSS-XXX-B0S	13.83 lbs (6.27 kgs)
Air Section Service Kit	637428
Fluid Section Service Kit	637427-XX

PE05X-XXS-X -B0S

637427 -

Diaphragm Material
Ball Material

EXAMPLE: Model #PE05R-AAS-SST-B0S
Fluid Section Service Kit is 637427-ST

PERFORMANCE

Air Inlet Pressure Range	10 - 100 p.s.i. (0.69 - 6.9 bar)
Maximum Material Inlet Pressure	10 p.s.i. (0.69 bar)
Fluid Outlet Pressure Range	10 - 100 p.s.i. (0.69 - 6.9 bar)
Maximum Flow Rate (flooded inlet)	12.0 g.p.m. (45.4 l.p.m.)
Displacement / Cycle @ 100 p.s.i.	0.039 gal. (0.15 lit.)
Maximum Particle Size	3/32" dia. (2.4 mm)
Maximum Temperature Limits (diaphragm / ball / seat material)	
E.P.R. / EPDM	-60° to 280° F (-51° to 138° C)
Hytrek	-20° to 150° F (-29° to 66° C)
Nitrile	10° to 180° F (-12° to 82° C)
Polypropylene	35° to 150° F (2° to 66° C)
Polyurethane	10° to 150° F (-12° to 66° C)
Santoprene	-40° to 225° F (-40° to 107° C)
PTFE	40° to 225° F (4° to 107° C)
Viton	-40° to 350° F (-40° to 177° C)
Noise Level @ 70 p.s.i. - 60 c.p.m.①	75.0 db(A)②

Notes:

- ① Tested with 67367 muffler assembly installed.
- ② The pump sound pressure level has been updated to an Equivalent Continuous Sound Level (L_{Aeq}) to meet the intent of ANSI S1. 13-1971, CAGI-PNEUROPS S5.1 using four microphone locations.

ACCESSORIES:

637438 Ported Exhaust Kit
93110 Muffler

PERFORMANCE CURVES

PE05X-XXS-XXX-B0S 1/2" METALLIC DIAPHRAGM PUMP

