

SALES & ENGINEERING DATA

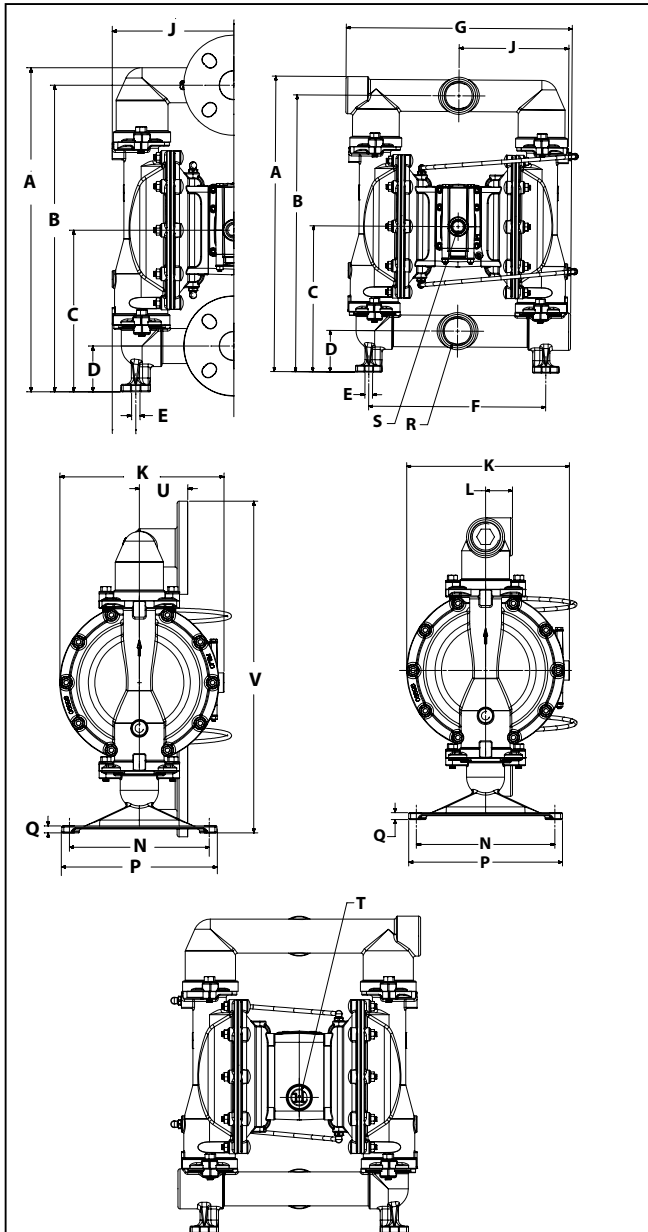
RATIO SERIES: **2:1**

FLUID P.S.I. RANGE: **10 - 200**

RELEASED: 12-14-12
(REV. A) S-1523

PH15F-XXX-XXX-X 1.5" Metallic Diaphragm Pump

DIMENSIONAL DATA



DIMENSIONS

A - 19.609" (498.1 mm)	E - 4 x .500" slot (12.7 mm)
B - 18.375" (466.7 mm)	F - 11.750" (298.5 mm)
C - 9.687" (246.0 mm)	G - 14.875" (377.8 mm)
D - 2.750" (69.9 mm)	J - 2 x (7.284") slot
K - 10.575" (268.6 mm)	S - Air Inlet 1/2 - 14 NPTF
L - 2 x 1.750" (44.5 mm)	T - Exhaust port 3/4 - 14 N.P.T.
N - 9.000" (228.6 mm)	U - 2 x 3.125" (79.4 mm)
P - 10.000" (254.0 mm)	V - 21.438" (543.9 mm)
Q - 0.450" (11.4 mm)	

NOTE: Dimensions are shown in inches and (mm) and are supplied for reference only.

"R" Inlet / Outlet

PH15F-ASP-XXX-AXXXX 1-1/2 - 11-1/2 NPTF
PH15F-BSP-SXX-AXXXX Rp 1 - 1/2 (1 - 1/2" 11 BSP)

SPECIFICATIONS

Model Series PH15F-XXX-XXX-X
Pump Type Metallic, air operated, double diaphragm pump
Ratio 2:1
Material Inlet / Outlet (female)
 PH15F-ASX-SXX-AXXXX 1-1/2 - 11-1/2 NPTF - 1
 PH15F-BSX-SXX-AXXXX Rp 1 - 1/2 (1 - 1/2" 11 BSP)
 PH15F-ESX-SXX-AXXXX 1-1/2 ANSI / DIN Flange
Air Inlet (female) 1/2 - 14 NPTF
Air Exhaust (female) 3/4 - 14 N.P.T.
Weight 88 lbs (39.9 kgs)
Air Section Service Kit 637389
Fluid Section Service Kit 637445-XX

PH15F - ASP-S-XX-X

637445 - XX

Diaphragm Material
Ball Material

EXAMPLE: Model ##PH15F-ASP-SAA-X
Fluid Section Service Kit # 637445-XX

PERFORMANCE

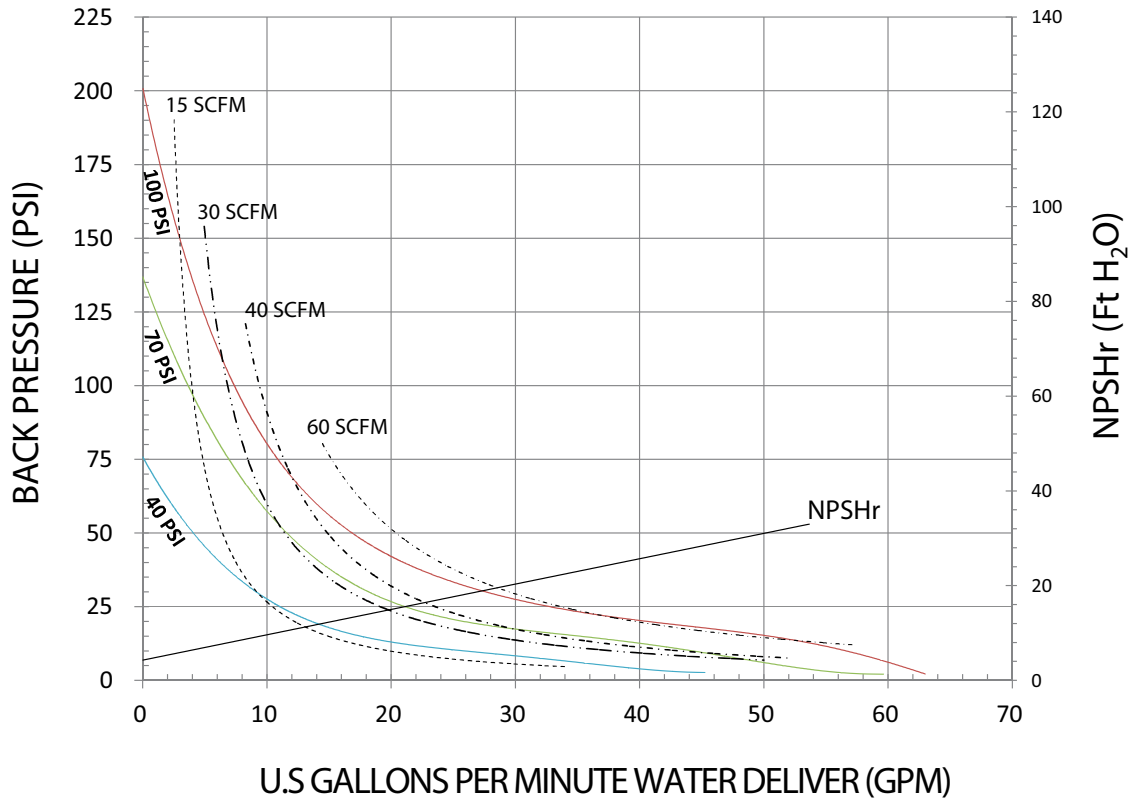
Air Inlet Pressure Range 10 - 100 p.s.i.g. (0.69 - 8.3 bar)
Maximum Material Inlet Pressure ... 10 p.s.i.g. (0.69 bar)
Fluid Pressure Range 20 - 200 p.s.i.g. (1.38 - 13.8 bar)
Maximum Flow Rate (flooded inlet) ... 63 g.p.m. (238 l.p.m.)
Displacement / Cycle @ 100 p.s.i. ... 0.88 gal. (3.33 lit.)
Maximum Particle Size 1/4" dia. (6.4 mm)
Maximum Temperature Limits (diaphragm / ball / seal / seat material)
 E.P.R. / EPDM -60° to 280° F (-51° to 138° C)
 Hytrel® -20° to 150° F (-29° to 66° C)
 Polypropylene 35° to 175° F (2° to 79° C)
 Santoprene® -40° to 225° F (-40° to 107° C)
 PTFE 40° to 225° F (4° to 107° C)
 Viton® -40° to 350° F (-40° to 177° C)
Noise Level @ 70 p.s.i. - 54 c.p.m. ① ... 75.6 db(A)②

① Tested with 350-568 muffler assembly installed.

② The pump sound pressure level has been updated to an Equivalent Continuous Sound Level (L_{Aeq}) to meet the intent of ANSI S1.13-1971, CAGI-PNEUROP S5.1 using four microphone locations.

PERFORMANCE CURVES

AIR CONSUMPTION (SCFM)



AIR CONSUMPTION (NCMH or Nm³/hr)

