

# **BALDOR® • RELIANCE**

## **Product Information Packet**

# **CDP3316**

**.33HP, 1750RPM, DC, 56C, 3327P, TENV, F1**

Part Detail							
Revision:	X	Status:	PRD/A	Change #:		Proprietary:	No
Type:	DC	Prod. Type:		Elec. Spec:	33WGZ131	CD Diagram:	CD0194
Enclosure:	TENV	Mfg Plant:		Mech. Spec:	33-2051	Layout:	33LY2051
Frame:	56C	Mounting:	F1	Poles:	///	Created Date:	
Base:	RG	Rotation:	R	Insulation:	F	Eff. Date:	04-13-2016
Field Type:		Literature:		Elec. Diagram:		Replaced By:	

Nameplate NP0891L			
CAT.NO.	CDP3316		
SPEC.	33-2051Z131		
HP	.33	ENCL	TENV
RPM	1750		
FRAME	56C	TYPE	3327P
ARM V	180	ARM A	1.6
FLD V		FLD A	
INSUL	F	AMB.	40
DUTY	CONT	SUPPLY	1.3
BRG/DE	6203	BRG/ODE	6203
BRUSHES	2/BP5011CV01		
SER.		BLANK	
BLANK	IP44		
APRV-CE	<input type="checkbox"/> Y	APRV-CSA	<input type="checkbox"/> Y
		APRV-UL	<input type="checkbox"/> Y

Parts List		
Part Number	Description	Quantity
SA005040	SA 33-2051Z131	1.000 EA
AA002689	AA 33-2051Z131	1.000 EA
BP5011CV01SP	CARBON BRUSH - 33P, 180V	1.000 EA
BP5012A04SP	BRUSH SPRING FOR DC MOTORS	1.000 EA
33CB5000A03	33P BOX & LEAD ASSY	1.000 EA
33GS1006A01	GASKET CONDUIT BOX (LEXIDE)	1.000 EA
51XT0832A08	8-32 X 1/2 TY23 HXWS SLDSR	3.000 EA
51XW0832G07	8-32 X 7/16 TY23 HXWS SLDSR GR	1.000 EA
51XW0832A07	8-32 X .44, TAPTITE II, HEX WSHR SLTD SE	4.000 EA
33EP3101A04	FR ENDPLATE, MACH	1.000 EA
33CB4501A01SP	BRUSH INSPECTION COVER	2.000 EA
33GS1005A01	GASKET, BRUSH INSP. COVERELECTRICLY NON-	2.000 EA
51XW0832A07	8-32 X .44, TAPTITE II, HEX WSHR SLTD SE	4.000 EA
HW5100A03SP	WAVY WASHER (W1543-017)	1.000 EA
33EP3302A10	PU ENDPLATE, MACH	1.000 EA
51XN1032A20	10-32 X 1 1/4 HX WS SL SR	2.000 EA
HA6887	SHAFT PROTECTOR STAMPED STEEL 20 GA.	1.000 EA
10XN2520A06	1/4 20X3/8 HX HD CAP	2.000 EA
34CB4512	34 CB LID	1.000 EA
34GS1001	GASKET, STD CONDUIT BOX LID (LEXIDE)	1.000 EA
51XW0832A07	8-32 X .44, TAPTITE II, HEX WSHR SLTD SE	4.000 EA
HW2501D13	KEY, 3/16 SQ X 1.375	1.000 EA
HA7000A04	KEY RETAINER 0.625 DIA SHAFTS	1.000 EA
HW3001B02	BRASS CUP WASHER W/GROUND SYMBOL TAB,	1.000 EA

<b>Parts List (continued)</b>		
<b>Part Number</b>	<b>Description</b>	<b>Quantity</b>
MG1000G27	MED CHARCOAL METALLIC GREY 400-0096	0.013 GA
10XF0440S02	04-40 X 1/8 TYPE F HEX HD STAINLESS STIC	2.000 EA
33RK5004SP	ROCKERARM	1.000 EA
HA3100S02	THRUBOLT - 10-32 X 9.00 SS	2.000 EA
LB1119N	WARNING LABEL	1.000 EA
LB1417	LABEL CARTON 6X4 PERFORATED BLANK ROLLS	1.000 EA
MN416A01	TAG-INSTAL-MAINT no wire (1200/bx) 11/14	1.000 EA
LC0194	CONNECTION LABEL	1.000 EA
NP0891L	NP STD LASER ENGRAVED DC MTRS, UL CSA CE	1.000 EA
27PA1001	PKG GRP, PRINT PK1027A06	1.000 EA

<b>Accessories</b>		
<b>Part Number</b>	<b>Description</b>	<b>Multiplier</b>
TK3300	TACHO MOUNTING KIT TK3300	A8
TK3300-HPU	HPU10 MOUNTING KIT 33P/34P TENV	

**DC Motor Performance Data**

Record # 217 - Typical performance - not guaranteed values

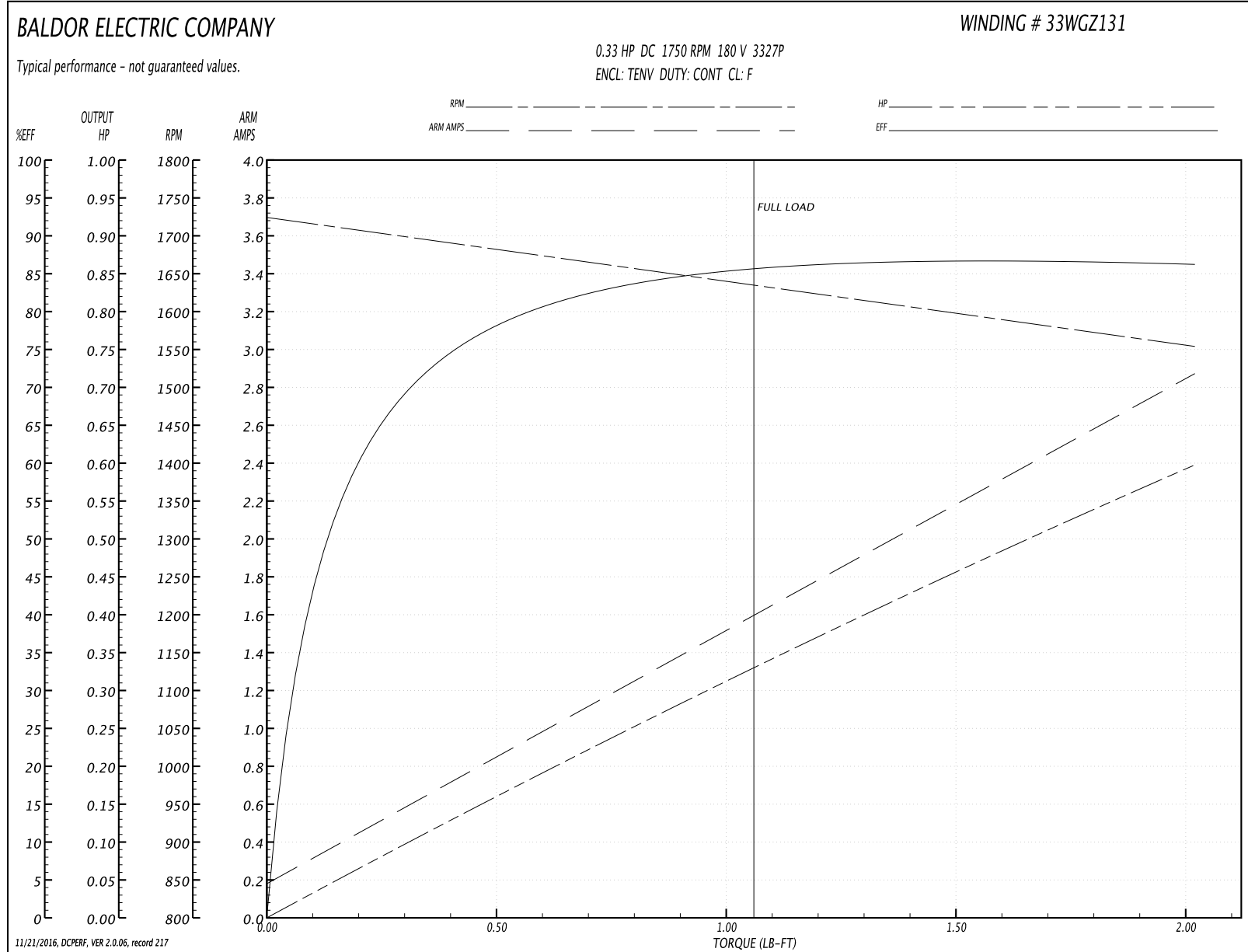
<b>Winding:</b> 33WGZ131-R001	<b>Type:</b> 3327P	<b>Enclosure:</b> TENV
-------------------------------	--------------------	------------------------

Nameplate Data		General Characteristics	
Rated Output (HP)	0.33	Armature Resistance @ 25°C	4.331 Ω
R.P.M.	1750		
Armature Volts	180		
Armature Amps	1.6		
Field Volts		Armature Inductance	39.666 mH
Field Amps			
Rating - Duty	40C AMB-CONT		
Form Factor	1.3		

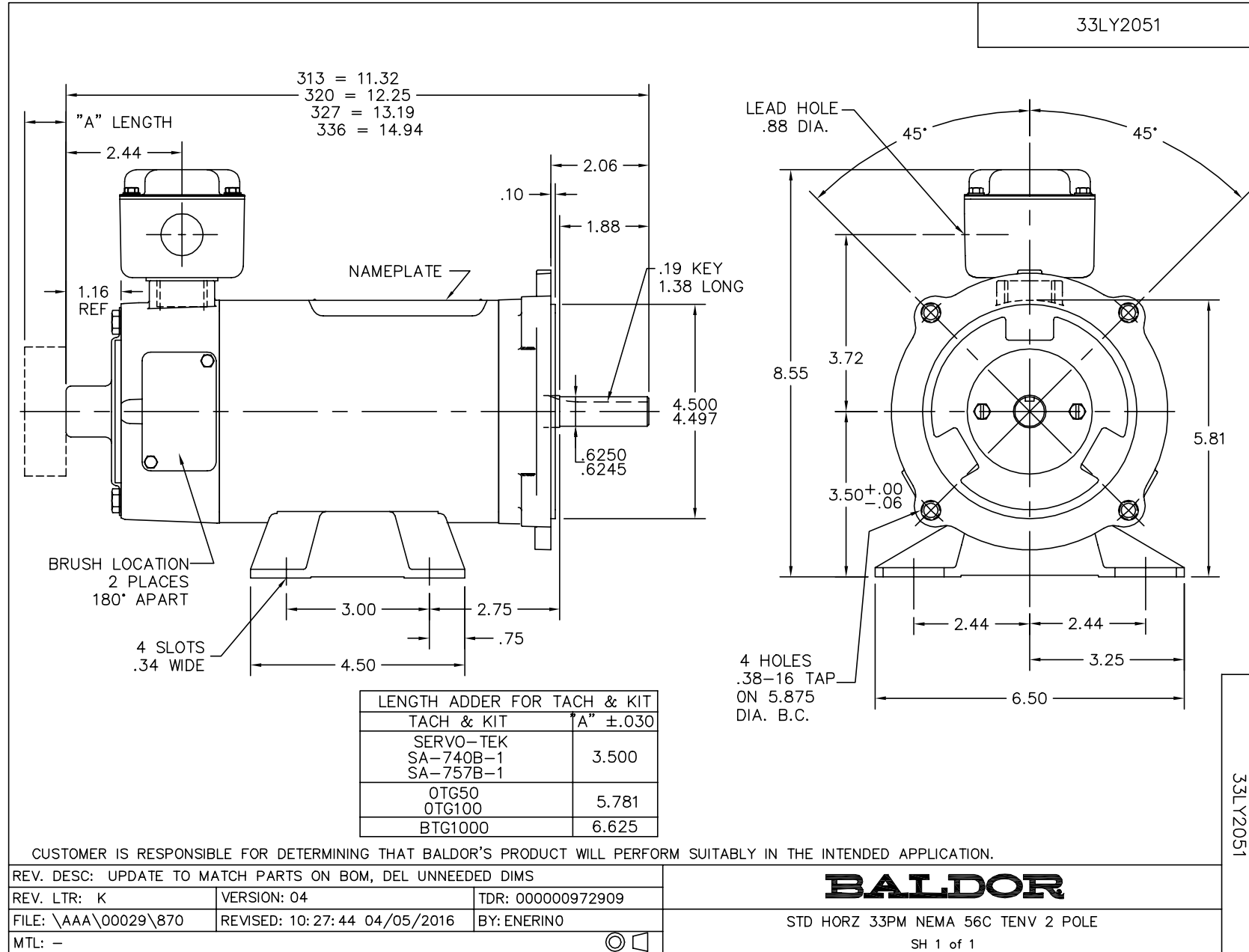
Load Characteristics at 180 Armature Volts

Load Point	1	2	3	4	5	6	7
Armature Amps	0.18	0.89	1.16	1.53	1.88	2.22	2.87
R.P.M.	1727	1679	1662	1633	1620	1595	1556
Torque ( LB-FT )	0	0.516	0.752	1.01	1.268	1.525	2.02

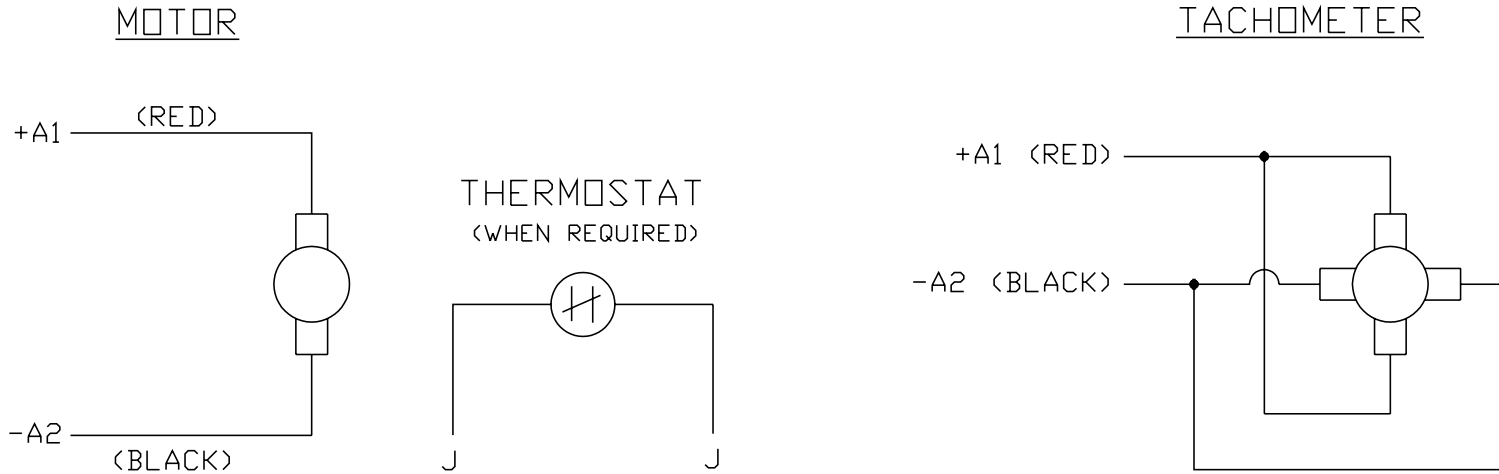
Performance Graph at 180.0 Arm V, 0.33HP Typical performance - Not guaranteed values







CD0194



NOTES:

1. CCW ROTATION AS SHOWN FACING COMMUTATOR END. TO REVERSE MOTOR ROTATION OR TACHOMETER OUTPUT POLARITY INTERCHANGE LEADS A1(RED) & A2(BLACK)
2. LEAD COLORS FOR REFERENCE ONLY & NOT SPECIFIED BY THIS DRAWING. LEAD COLORS SPECIFIED BY LAYOUT DRAWING & BILL OF MATERIAL ONLY.

MATL: -			
REV: E	ADDED NOTE "LEAD COLORS FOR REFERENCE ONLY &..."		
CD0194	SCALE: -	BY: CK	REVISED: 07/28/95
	FILE: AAA00004503		TDR: 0078737

**BALDOR ELECTRIC Co.**

CD TYPE P DC PERMANENT MAGNET MOTORS AND TACHOMETERS

CD0194