

BALDOR® • RELIANCE

Product Information Packet

CJEWDM3555

2HP,3450RPM,3PH,60HZ,56J,3526M,TEFC,F1,N

Part Detail							
Revision:	D	Status:	PRD/A	Change #:		Proprietary:	No
Type:	AC	Prod. Type:	3526M	Elec. Spec:	35WGM774	CD Diagram:	CD0005
Enclosure:	TEFC	Mfg Plant:		Mech. Spec:	35E2234	Layout:	35LYE2234
Frame:	56J	Mounting:	F1	Poles:	02	Created Date:	07-02-2015
Base:	RG	Rotation:	R	Insulation:	F	Eff. Date:	10-31-2016
Leads:	9#18					Replaced By:	
Literature:		Elec. Diagram:					

Nameplate NP2179L										
CAT.NO.	CJEWDM3555									
SPEC.	35E2234M774G1									
HP	2									
VOLTS	230/460									
AMP	5/2.5									
RPM	3450									
FRAME	56J				HZ	60			PH	3
SER.F.	1.20		CODE	M	DES	B		CLASS	F	
NEMA-NOM-EFF	85.5		PF	88						
RATING	40C AMB-CONT									
CC	010A				USABLE AT 208V		6.2			
DE	6205			ODE	6203					
ENCL	TEFC		SN							
BLANK	SFA 5.8/2.9									

Parts List		
Part Number	Description	Quantity
SA303595	SA 35E2234M774G1	1.000 EA
RA290726	RA 35E2234M774G1	1.000 EA
S/P107-000-001	SUPER E PROC'S-FS, WS & CK PLTS	1.000 EA
NS2512A01	INSULATOR, CONDUIT BOX X	1.000 EA
35CB3008A01W	35 CB .50 NPT @ 6, MACH WHITE EPOXY	1.000 EA
35GS1022A03	GASKET BOX .125 THK WHITE NEOPRENE	1.000 EA
51XB1016A07	10-16 X 7/16 HXWSSLD SERTYB	2.000 EA
11XW1032G06	10-32 X .38, TAPTITE II, HEX WSHR SLTD U	1.000 EA
35EP3100M87MW	FREP TEFC,"O" DRILLS,NO GRSSR, MACH.WHITE	1.000 EA
HW4032A01	BLACK DRAIN PLUG FOR WASH DOWN MOTORS	3.000 EA
HW5100A03SP	WAVY WASHER (W1543-017)	1.000 EA
HW4600B39SP	V-RING SLINGER 0.550 X 0.790 X .18 VITON	1.000 EA
12XN1032S20	10-32 X 1-1/4 HEX M.S. , STAINLESS STEEL	2.000 EA
35EP3300A48MW	SPL FACE MTD EP - 205 BRG - W/SEAL FOR W	1.000 EA
HW4032A01	BLACK DRAIN PLUG FOR WASH DOWN MOTORS	3.000 EA
HW4600B49	SEAL 0.938 X 1.624 X 0.250 SINGLE LIP DB	1.000 EA
HW4600B46	V-RING SLINGER 0.875 X 1.420 X .24 VITON	1.000 EA
35FH4005A55	IEC FH NO GRSSR,3 MTG HOLE NO DIMPLES,	1.000 EA
11XW1032S06	10-32 X .38, TAPTITE II, HEX WSHR SLTD U	3.000 EA
WD4100A10	465 NIAGARA PLUG (SO ELEC),FOR 1.093 DIA	1.000 EA
35CB4522	35 LIPPED CB LID PRIMED	1.000 EA
35GS1030A02	35 GS FOR CB LID - WHITE NEOPRENE	1.000 EA
59XW0832S07	TAPTITE II,HEX WSHR UNSLTD SER,410 S.S.,	4.000 EA
MJ5001A27	32220KN GRAY SEALER *MIN BUY 4 QTS=1GAL	0.001 QT

Parts List (continued)		
Part Number	Description	Quantity
85XU0407S04	4X1/4 U DRIVE PIN STAINLESS	2.000 EA
LB1164	LABEL,WARNING AND DRAIN	1.000 EA
HA5027A01	HA4066A01 T-DRAIN X2 BAGGED	1.000 EA
RM1010A12	.437 I.D. 1" VINYL CAP (SHORT) MOCAP	1.000 EA
MJ1000A02	GREASE, POLYREX EM EXXON (USe 4824-15A)	0.050 LB
34FN3002B01	EXTERNAL FAN, PLASTIC, .637/.639 HUB W/	1.000 EA
51XB1214A16	12-14X1.00 HXWSSLD SERTYB	1.000 EA
MG1025W01	WILKOFAS, 781.01, SIGNAL WHITE #9003	0.017 GA
MG1500Y02	PRIMER,347.29+347.29C ACTIVATOR WILKOPON	0.017 GA
HA3100S07	THRUBOLT 10-32 X 8.375 SS	4.000 EA
MN416A01	TAG-INSTAL-MAINT no wire (1200/bx) 11/14	1.000 EA
LC0005	CONN.DIA.,TY M,9-LD,DUAL VOLT,REVERSING	1.000 EA
NP2179L	SS WD SUPER-E UL CSA CC REV MTG	1.000 EA
36PA1000	PKG GRP, PRINT PK1016A06	1.000 EA

AC Induction Motor Performance Data

Record # 51668 - Typical performance - not guaranteed values

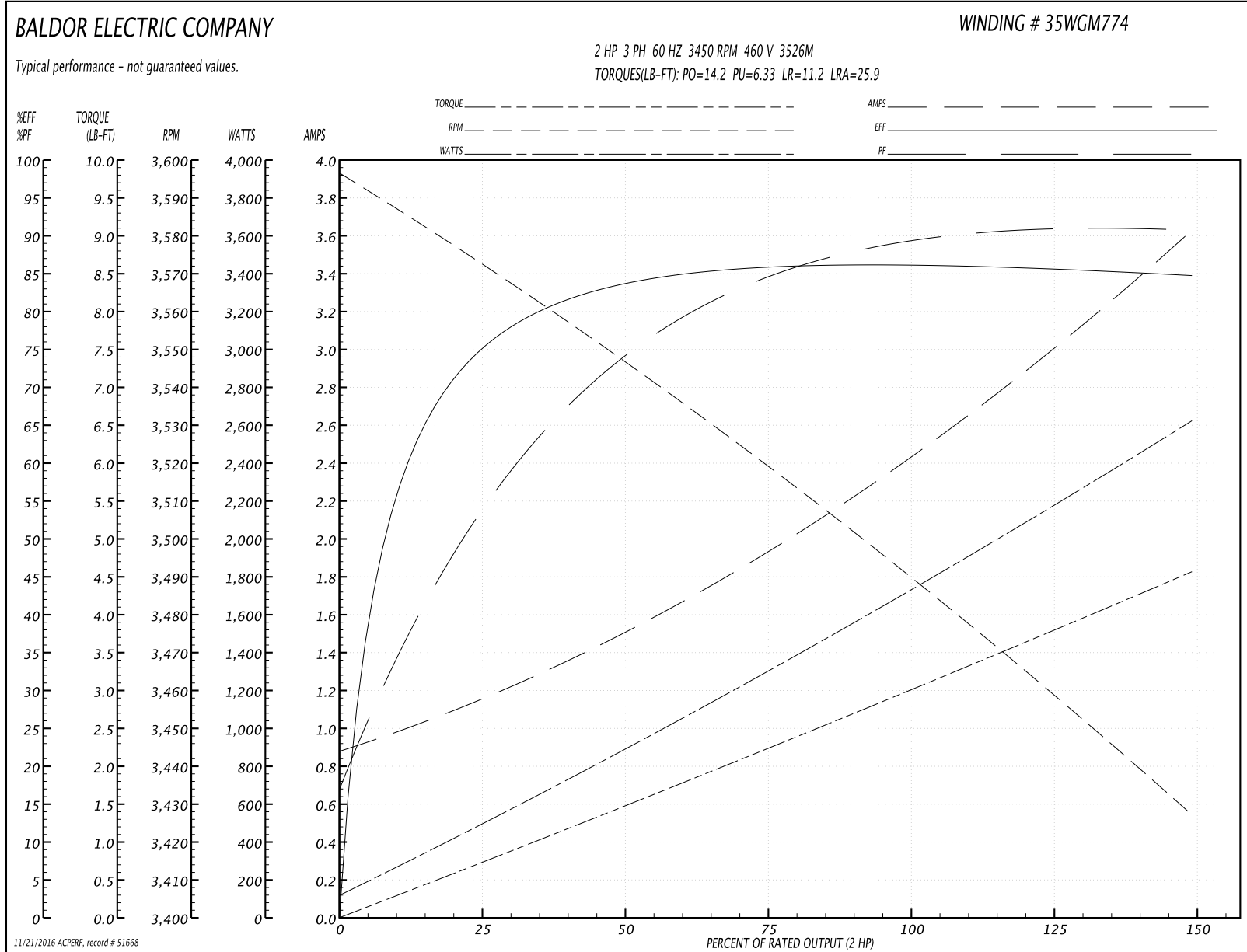
Winding: 35WGM774-R069	Type: 3526M	Enclosure: TEFC
-------------------------------	--------------------	------------------------

Nameplate Data				460 V, 60 Hz: High Voltage Connection	
Rated Output (HP)	2			Full Load Torque	2.98 LB-FT
Volts	230/460			Start Configuration	direct on line
Full Load Amps	5/2.5			Breakdown Torque	14.2 LB-FT
R.P.M.	3450			Pull-up Torque	6.33 LB-FT
Hz	60	Phase	3	Locked-rotor Torque	11.2 LB-FT
NEMA Design Code	B	KVA Code	M	Starting Current	25.9 A
Service Factor (S.F.)	1.2			No-load Current	0.912 A
NEMA Nom. Eff.	85.5	Power Factor	88	Line-line Res. @ 25°C	6.88 Ω
Rating - Duty	40C AMB-CONT			Temp. Rise @ Rated Load	44°C
S.F. Amps	5.8/2.9			Temp. Rise @ S.F. Load	55°C
				Locked-rotor Power Factor	49.9
				Rotor inertia	0.0719 LB-FT ²

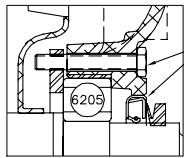
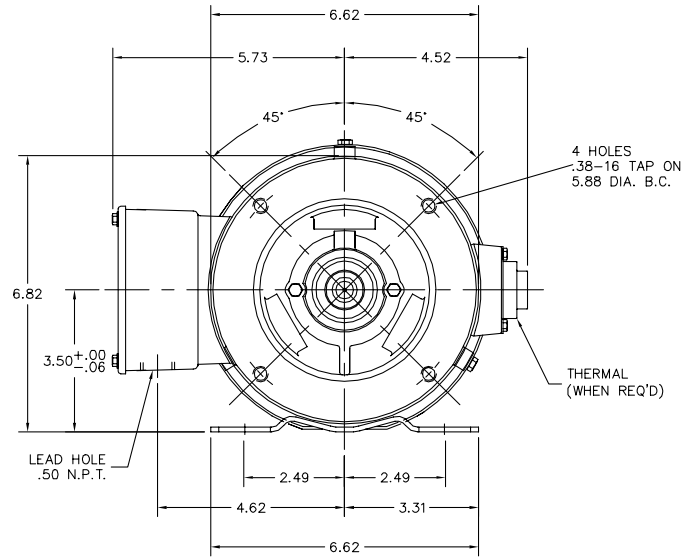
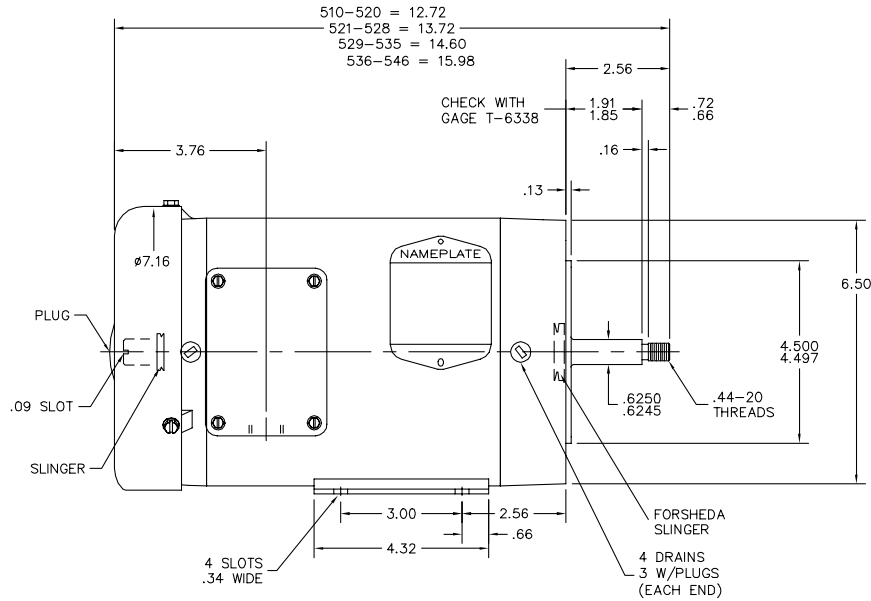
Load Characteristics 460 V, 60 Hz, 2 HP

% of Rated Load	25	50	75	100	125	150	S.F.
Power Factor	55	75	84	88	90	91	90
Efficiency	73.4	83.6	85.8	86.3	85.8	84.7	85.9
Speed	3572	3547	3520	3492	3461	3426	3467
Line amperes	1.1	1.47	1.93	2.44	3	3.61	2.89

Performance Graph at 460V, 60Hz, 2.0HP Typical performance - Not guaranteed values



35LYE2234



PULLEY END DETAIL

OMIT LOCK-WASHERS &
 APPLY COAT OF SEALER
 UNDER BEARING RETAINER
 SCREW HEADS & HOUSING O.D.
 BEFORE PRESSING IN SEAL

CUSTOMER IS RESPONSIBLE FOR DETERMINING THAT BALDOR'S PRODUCT WILL PERFORM SUITABLY IN THE INTENDED APPLICATION.

REV. DESC: UPDATE PARTS TO MATCH BOM & CLEAN UP LINES		
REV. LTR: B	VERSION: 02	TDR: 00000981700
FILE: \AAA\00204\178	REVISED: 04:15:52 06/01/2016	BY: ENERINO
MTL: -		

BALDOR

HORZ 56J TEFC 35M WD (S/P9) W/FULL LENGTH SS SHAFT

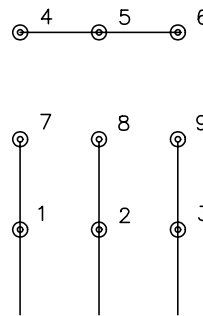
SH 1 of 1

35LYE2234

CD0005

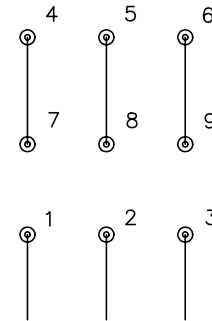


LOW VOLTAGE
(2Y)



LINE

HIGH VOLTAGE
(1Y)



LINE

NOTES:

1. INTERCHANGE ANY TWO LINE LEADS TO REVERSE ROTATION.
2. OPTIONAL THERMOSTATS ARE PROVIDED WHEN SPECIFIED.
3. ACTUAL NUMBER OF INTERNAL PARALLEL CIRCUITS MAY BE A MULTIPLE OF THOSE SHOWN ABOVE.
4. LEAD COLORS ARE OPTIONAL. LEADS MUST ALWAYS BE NUMBERED AS SHOWN.

REV. DESC: REVISE TO SHOW OPTIONAL COLORS

REV. LTR: E BY: JLP

REVISED: 01/19/99 10:15

TDR: 0171435

9000D

FILE: AAA00005140

MDL: -

MTL: -

BALDOR ELECTRIC Co.

3PH, DV, 9 LEADS

CD0005