

BALDOR® • **RELIANCE**

Product Information Packet

CL5023-50

1HP,1425RPM,1PH,50HZ,56,C,3528L,XPFC,F1

Part Detail							
Revision:	M	Status:	PRD/A	Change #:		Proprietary:	No
Type:	AC	Prod. Type:	3532L	Elec. Spec:	35WGY990	CD Diagram:	CD0001
Enclosure:	XPFC	Mfg Plant:		Mech. Spec:	35E363	Layout:	35LYE363
Frame:	56C	Mounting:	F1	Poles:	04	Created Date:	12-01-2005
Base:	RG	Rotation:	R	Insulation:	B	Eff. Date:	04-02-2015
Leads:	4#16 A PH,2#18 B PH					Replaced By:	
Literature:		Elec. Diagram:					

Nameplate NP0015XPSL	
NO.	<input type="text"/>
SER.	<input type="text"/>
SPEC.	35E363Y990G1
CAT.NO.	CL5023-50
HP	1
VOLTS	110/220
AMPS	12.4/6.2
RPM	1425
HZ	50
SER.F.	1.00
RATING	40C AMB-CONT
FRAME	56C
USABLE AT 208V	<input type="text"/>
BLANK	<input type="text"/>
	CC <input type="text"/>
	T. CODE T3C
	PH 1 CL B
	DES L CODE J
	NEMA-NOM-EFF 68
	PF 82

Parts List		
Part Number	Description	Quantity
SA136225	SA 35E363Y990G1	1.000 EA
RA125914	RA 35E363Y990G1	1.000 EA
EC1270A02SP	ELEC CAP, 270-324 MFD, 125V, 1.48D X 3.	2.000 EA
35CB3001A01SP	EXPL CONDUIT BOX, MACH, 1/2" PIPE TAP LE	1.000 EA
11XW1032G06	10-32 X .38, TAPTITE II, HEX WSHR SLTD U	1.000 EA
HW3001B01	BRASS CUP WASHER, FOR #8 SCREW	1.000 EA
51XW0832A07	8-32 X .44, TAPTITE II, HEX WSHR SLTD SE	2.000 EA
35EP3700A01SP	FR ENDPLATE, XPFC	1.000 EA
HW5100A03SP	WAVY WASHER (W1543-017)	1.000 EA
35EP3702A01SP	PU EP-205 BRG-35X-56C-143-5TC	1.000 EA
51XN1032A18	10-32 X 1 1/8 HX WS SL SR (ESKAY)	2.000 EA
HA3013A01	1/2-20X5/8 SPL.HX BOLT	2.000 EA
HW3021C06	3/32 DI X .625 PIN (F/S)	2.000 EA
XY3118A12	5/16-18 HEX NUT DIRECTIONAL SERRATION	4.000 EA
35FN3002A05	EXFN, PLASTIC, 6.376 OD, .638 ID	1.000 EA
51XB1214A16	12-14X1.00 HXWSSLD SERTYB	1.000 EA
51XW1032A06	10-32 X .38, TAPTITE II, HEX WSHR SLTD S	3.000 EA
35CB3500A01SP	CONDUIT BOX LID, MACH	1.000 EA
51XN2520A16	SCREW, HEX WS SLT, ZN, 1/4-20 X 1.00	4.000 EA
HW2501D13	KEY, 3/16 SQ X 1.375	1.000 EA
HA7000A04	KEY RETAINER 0.625 DIA SHAFTS	1.000 EA
85XU0407S04	4X1/4 U DRIVE PIN STAINLESS	6.000 EA
HA6003A52	CLAMP, CAPACITOR, WHITE ZINC PLATED	2.000 EA
51XW0832A07	8-32 X .44, TAPTITE II, HEX WSHR SLTD SE	2.000 EA

Parts List (continued)		
Part Number	Description	Quantity
MJ1000A02	GREASE, POLYREX EM EXXON (USe 4824-15A)	0.050 LB
35FH4005A01SP	IEC FH NO GREASER W/PRIMED	1.000 EA
MG1025G29	WILKOFASST, 789.229, DARK CHARCOAL GRAY	0.017 GA
HA3104A10	THRUBOLT, 5/16-18 X 10.25	4.000 EA
SP5055A11	MODEL 35 TYPE L STATIONARY SWITCH WITH L	1.000 EA
LB1119N	WARNING LABEL	1.000 EA
LC0081	CONNECTION LABEL X	1.000 EA
NP0015XPSL	SS XP UL CSA CC CL-I GP-D	1.000 EA
NP0018F	ALUM UL XP CONDUIT BOX NAMEPLATE	1.000 EA
36PA1000	PKG GRP, PRINT PK1016A06	1.000 EA
MN416A01	TAG-INSTAL-MAINT no wire (1200/bx) 11/14	1.000 EA

AC Induction Motor Performance Data

Record # 36900 - Typical performance - not guaranteed values

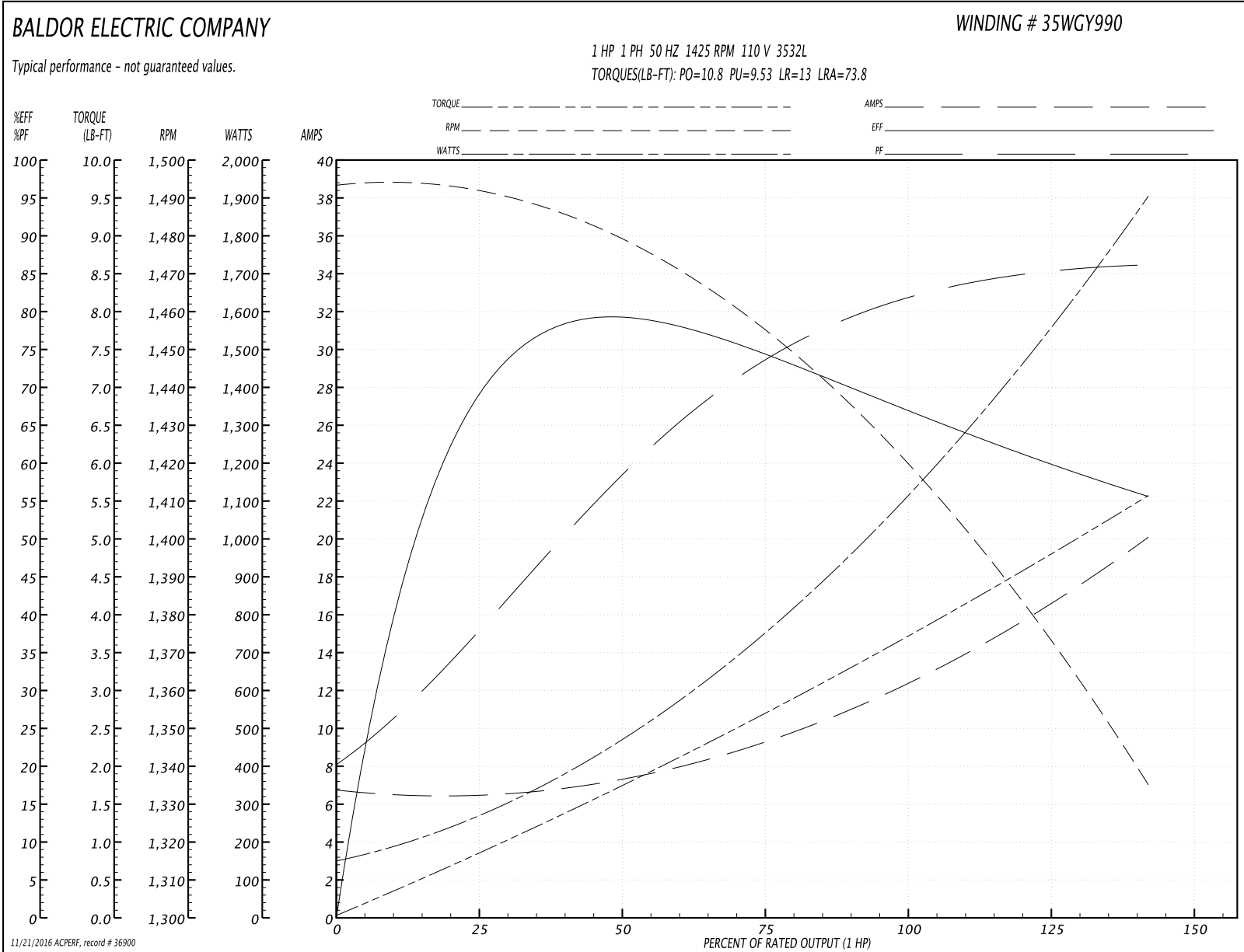
Winding: 35WGY990-R002	Type: 3532L	Enclosure: XPFC
-------------------------------	--------------------	------------------------

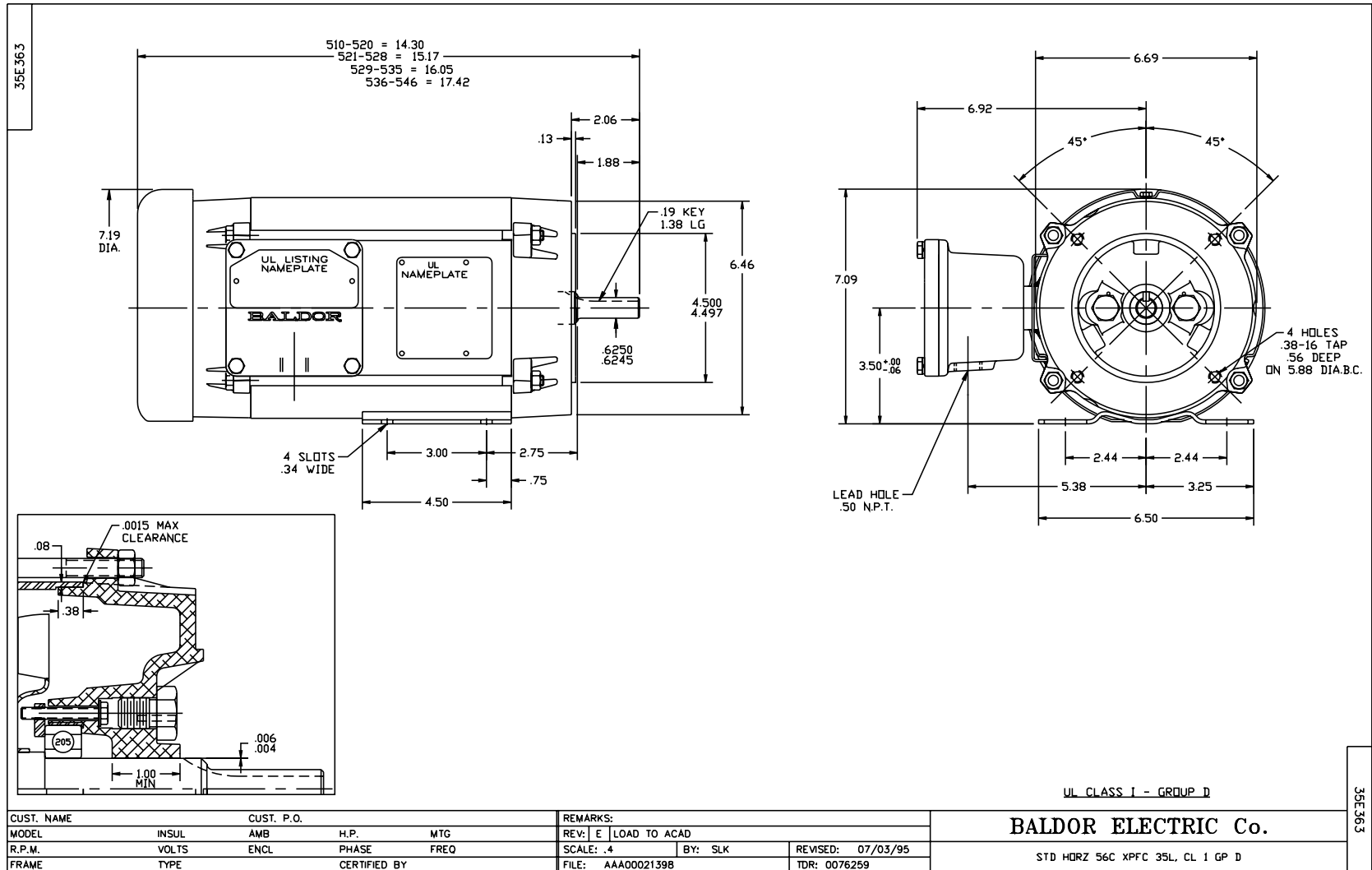
Nameplate Data				110 V, 50 Hz: Low Voltage Connection	
Rated Output (HP)	1			Full Load Torque	3.69 LB-FT
Volts	110/220			Start Configuration	direct on line
Full Load Amps	12.4/6.2			Breakdown Torque	10.8 LB-FT
R.P.M.	1425			Pull-up Torque	9.53 LB-FT
Hz	50	Phase	1	Locked-rotor Torque	13 LB-FT
NEMA Design Code	L	KVA Code	J	Starting Current	73.8 A
Service Factor (S.F.)	1			No-load Current	6.38 A
NEMA Nom. Eff.	68	Power Factor	82	Line-line Res. @ 25°C	0.699 Ω A Ph 1.65 Ω B Ph
Rating - Duty	40C AMB-CONT			Temp. Rise @ Rated Load	62°C

Load Characteristics 110 V, 50 Hz, 1 HP

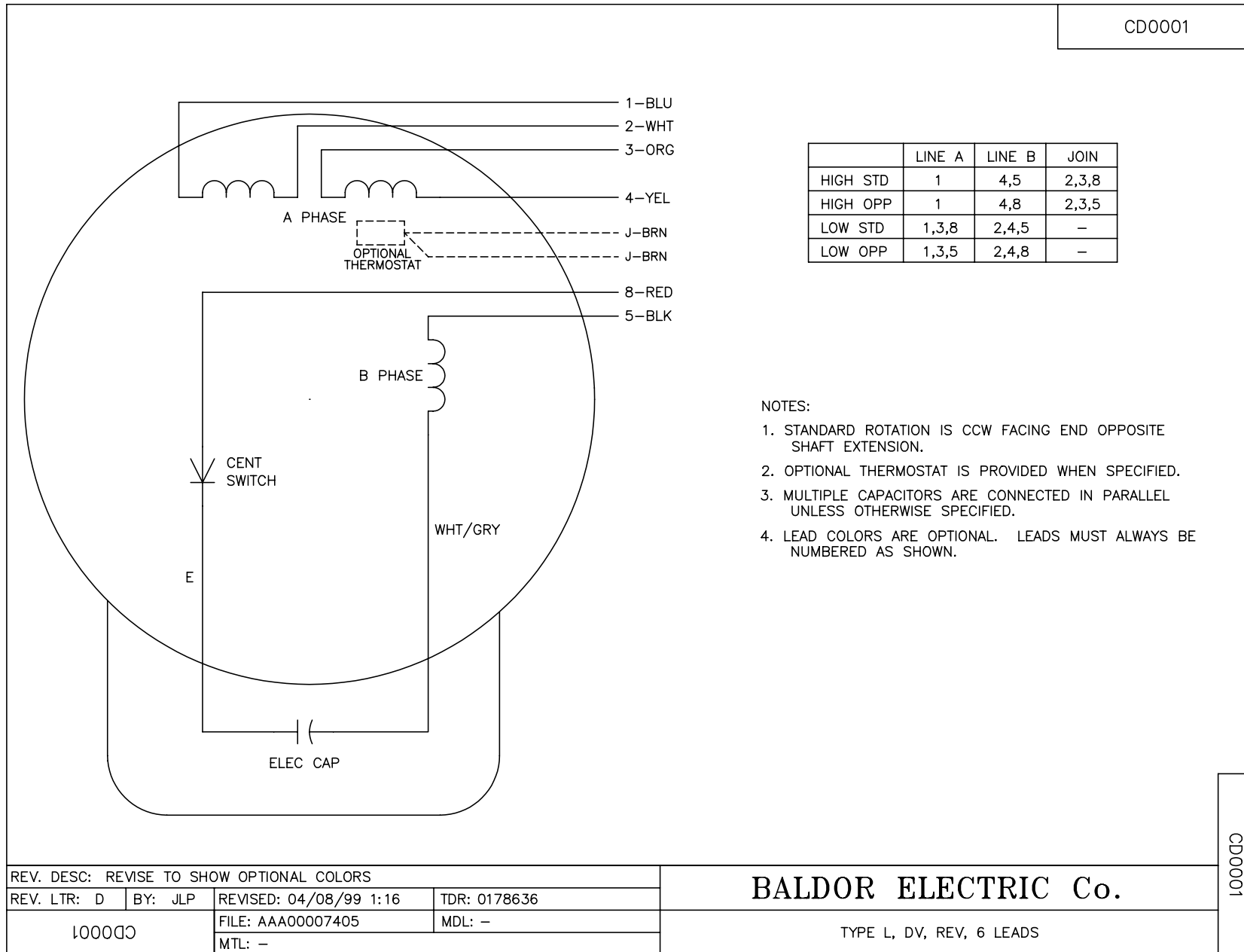
% of Rated Load	25	50	75	100	125	150
Power Factor	41	62	74	81	85	86
Efficiency	61.2	71.2	72.8	70.4	63.3	53.1
Speed	1488	1471	1452	1427	1384	1322
Line amperes	6.72	7.84	9.58	11.9	15.9	21

Performance Graph at 110V, 50Hz, 1.0HP Typical performance - Not guaranteed values





CD0001



NOTES:

1. STANDARD ROTATION IS CCW FACING END OPPOSITE SHAFT EXTENSION.
2. OPTIONAL THERMOSTAT IS PROVIDED WHEN SPECIFIED.
3. MULTIPLE CAPACITORS ARE CONNECTED IN PARALLEL UNLESS OTHERWISE SPECIFIED.
4. LEAD COLORS ARE OPTIONAL. LEADS MUST ALWAYS BE NUMBERED AS SHOWN.

CD0001

REV. DESC: REVISE TO SHOW OPTIONAL COLORS			
REV. LTR: D	BY: JLP	REVISED: 04/08/99 1:16	TDR: 0178636
100000		FILE: AAA00007405	MDL: -
		MTL: -	

BALDOR ELECTRIC Co.

TYPE L, DV, REV, 6 LEADS