

# **BALDOR**® • ***RELIANCE***

## **Product Information Packet**

# **CSSEWDM3559T-5**

**3HP,3470RPM,3PH,60HZ,145TC,3546M,TEFC,F1**

Part Detail							
Revision:	N	Status:	PRD/A	Change #:		Proprietary:	No
Type:	AC	Prod. Type:	3546M	Elec. Spec:	35WGN653	CD Diagram:	CD0006
Enclosure:	TEFC	Mfg Plant:		Mech. Spec:	35Z202	Layout:	35LYZ202
Frame:	145TC	Mounting:	F1	Poles:	02	Created Date:	12-20-2012
Base:	RG	Rotation:	R	Insulation:	H	Eff. Date:	09-14-2016
Leads:	3#18 Dbl Dip & Bake,0#0 Phase Insulate,0#0 15" LEAD LENGY					Replaced By:	
Literature:		Elec. Diagram:					

<b>Nameplate NP1953A05</b>											
<b>CAT.NO.</b>	CSSEWDM3559T-5										
<b>SPEC.</b>	35Z202N653G1										
<b>HP</b>	3										
<b>VOLTS</b>	575										
<b>AMP</b>	2.9										
<b>RPM</b>	3470										
<b>FRAME</b>	145TC				<b>HZ</b>	60				<b>PH</b>	3
<b>SER.F.</b>	1.15			<b>CODE</b>	P	<b>DES</b>	A		<b>CLASS</b>	H	
<b>NEMA-NOM-EFF</b>	86.5			<b>PF</b>	91						
<b>RATING</b>	40C AMB-CONT										
<b>CC</b>	010A				<b>USABLE AT 208V</b>						
<b>DE</b>	6205			<b>ODE</b>	6205						
<b>ENCL</b>	TEFC		<b>SN</b>								

Parts List		
Part Number	Description	Quantity
SA256034	SA 35Z202N653G1	1.000 EA
RA242831	RA 35Z202N653G1	1.000 EA
34FN3002A01SP	EXTERNAL FAN, PLASTIC, .637/.639 HUB W/	1.000 EA
11XW1032G06	10-32 X .38, TAPTITE II, HEX WSHR SLTD U	1.000 EA
35EP1917A09	FREP TEFC 205 BRG NO GRS 4X.125 NPT (SS)	1.000 EA
RM1070A25	O-RING,VITON 6.19 ID X .062 C.S. NOM	1.000 EA
HW4600E99	AXIAL FACE SEAL 76925-9042-0447 SS CASE	1.000 EA
HW4500A33	1/8 NPT STAINLESS,HOLO-KROME #13002,PRES	3.000 EA
HW5100A05	WVY WSHR F/205 & 304 BRGS	1.000 EA
35PE1916A05	PUEP 56C ENC 205 BRG 4X.125 NPT (SS)	1.000 EA
RM1070A25	O-RING,VITON 6.19 ID X .062 C.S. NOM	1.000 EA
HW4600E99	AXIAL FACE SEAL 76925-9042-0447 SS CASE	1.000 EA
HW4500A33	1/8 NPT STAINLESS,HOLO-KROME #13002,PRES	3.000 EA
RM1070A26	O-RING,4.5MM I.D.X1.5MM C.S. (VITON)	4.000 EA
51XB1214A16	12-14X1.00 HXWSSLD SERTYB	1.000 EA
35FH4005A39	IEC FH NO GREASER (#304 SS)CLEAN ONLY	1.000 EA
10XN1032S06	HEX HD CAP SCREW, SS	3.000 EA
36GS3008SP	WHITE NEOPREME KO BOX LID GASKET	1.000 EA
35CB4515	35 CB LID #304 STAINLESS STEEL	1.000 EA
59XN0832S07	8/32 X 7/16 HX WS HD SER X	4.000 EA
HW2502D13	SS KEY, 3/16 SQ X 1.375	1.000 EA
HA7000A04	KEY RETAINER 0.625 DIA SHAFTS	1.000 EA
MJ5001A27	32220KN GRAY SEALER *MIN BUY 4 QTS=1GAL	0.005 QT
MJ5004A37	#76732 LOCTITE ANTISEIZE THRD COMPOUND	0.005 EA

<b>Parts List (continued)</b>		
<b>Part Number</b>	<b>Description</b>	<b>Quantity</b>
HA5027A02	HA4054 T-DRAIN X2 BAGGED WITH LABEL	1.000 EA
MJ1000A02	GREASE, POLYREX EM EXXON (USe 4824-15A)	0.050 LB
WD5603A02	KIT, CLOSED-END LEAD SPLICE (18-14GA)	1.000 EA
HA3100S10	THRUBOLT 11.50LG SS	4.000 EA
36PA1000	PKG GRP, PRINT PK1016A06	1.000 EA
MN416A01	TAG-INSTAL-MAINT no wire (1200/bx) 11/14	1.000 EA
HA5027A07	85XU1208S08 FACE DRAIN PINS BAGGED	1.000 EA

**AC Induction Motor Performance Data**

Record # 40792 - Typical performance - not guaranteed values

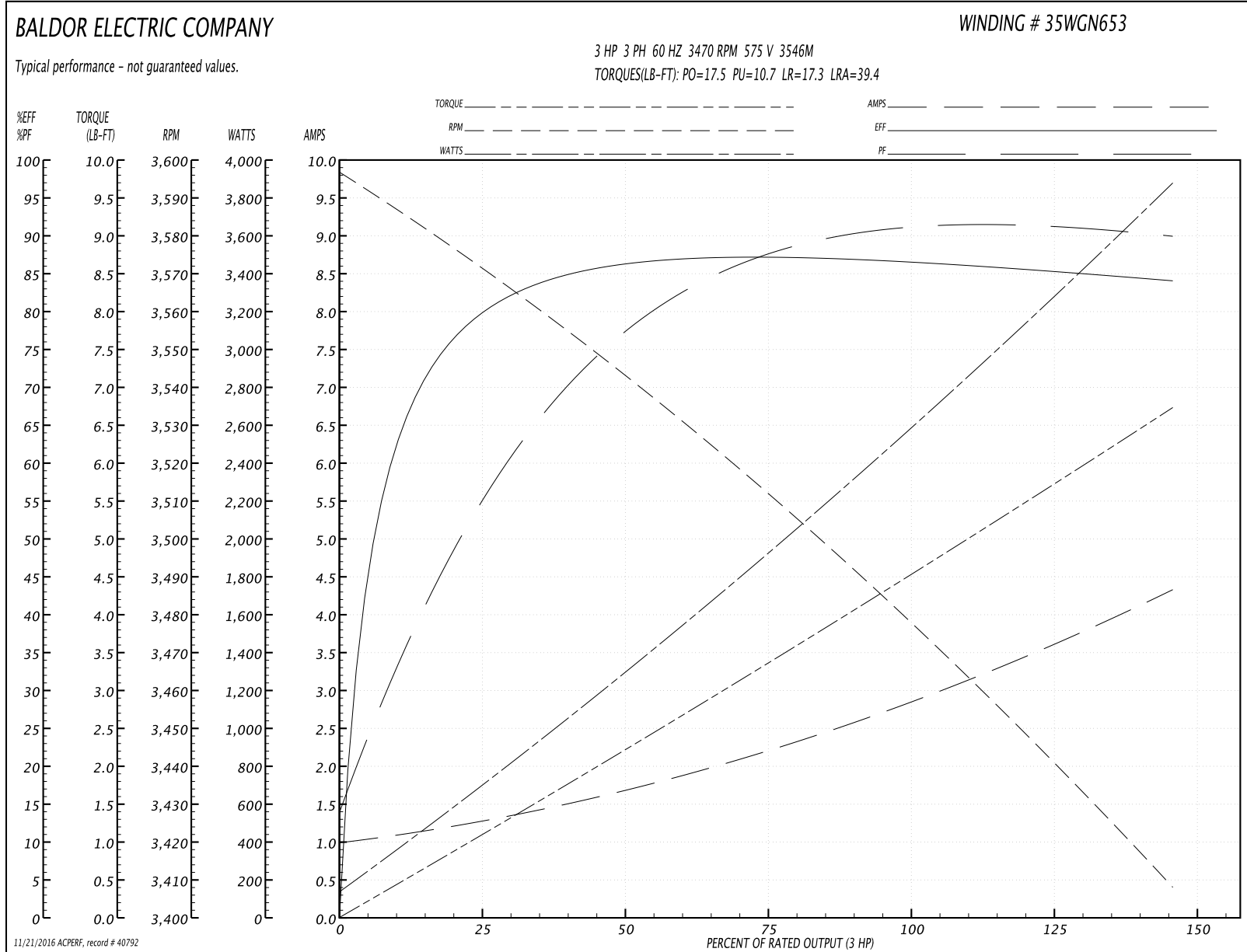
<b>Winding:</b> 35WGN653-R001	<b>Type:</b> 3546M	<b>Enclosure:</b> TEFC
-------------------------------	--------------------	------------------------

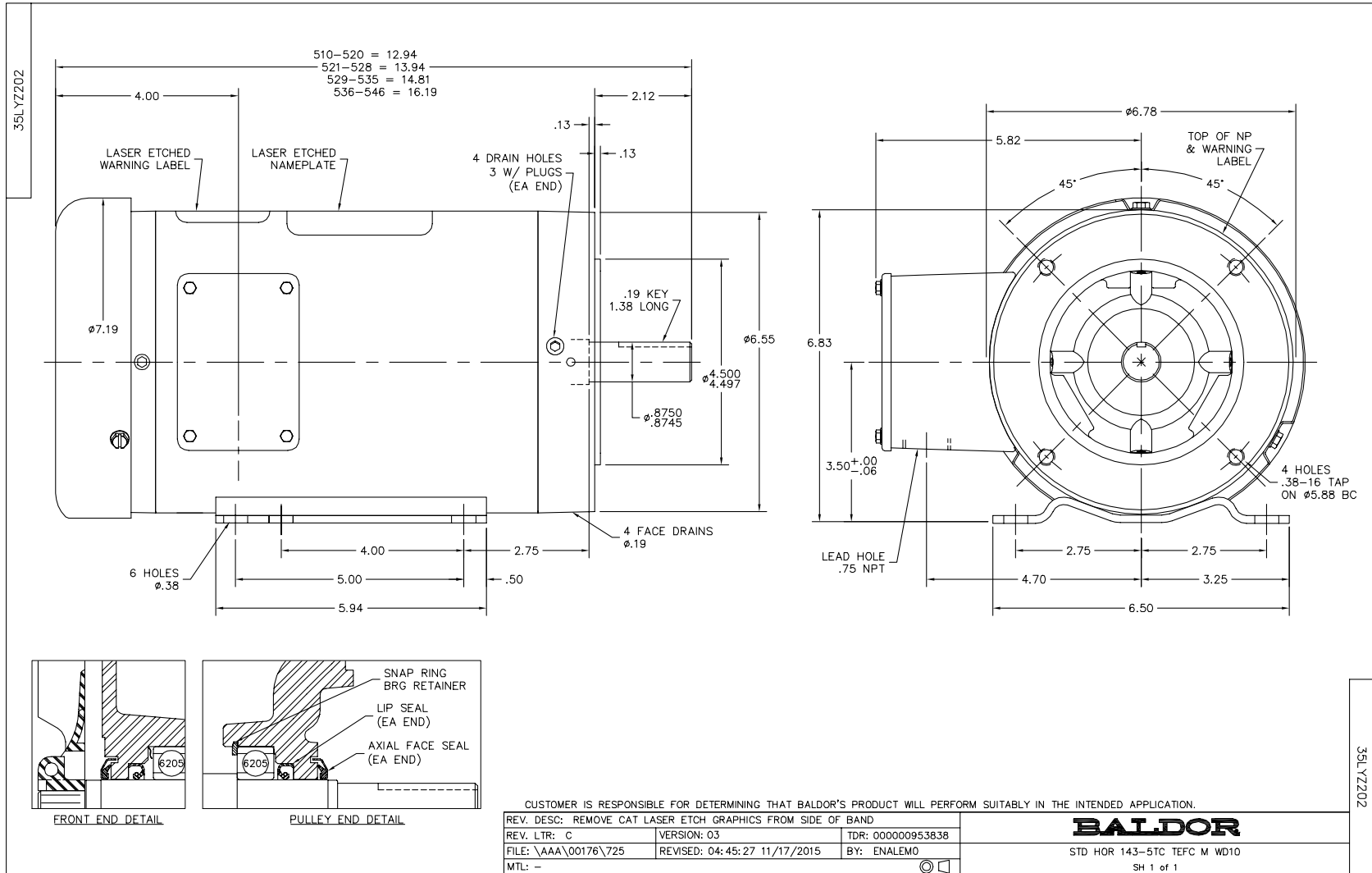
Nameplate Data				575 V, 60 Hz: Single Voltage Motor	
Rated Output (HP)	3			Full Load Torque	4.5 LB-FT
Volts	575			Start Configuration	direct on line
Full Load Amps	2.9			Breakdown Torque	17.5 LB-FT
R.P.M.	3470			Pull-up Torque	10.7 LB-FT
Hz	60	Phase	3	Locked-rotor Torque	17.3 LB-FT
NEMA Design Code	A	KVA Code	P	Starting Current	39.4 A
Service Factor (S.F.)	1.15			No-load Current	1.02 A
NEMA Nom. Eff.	86.5	Power Factor	91	Line-line Res. @ 25°C	5.41 Ω
Rating - Duty	40C AMB-CONT			Temp. Rise @ Rated Load	63°C
S.F. Amps				Temp. Rise @ S.F. Load	74°C
				Locked-rotor Power Factor	43
				Rotor inertia	0.127 LB-FT <sup>2</sup>

Load Characteristics 575 V, 60 Hz, 3 HP

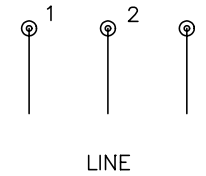
% of Rated Load	25	50	75	100	125	150	S.F.
Power Factor	58	79	87	90	91	90	91
Efficiency	79.3	86.2	87	86.9	85.6	83.9	86.1
Speed	3568	3542	3511	3481	3446	3406	3460
Line amperes	1.24	1.67	2.24	2.85	3.54	4.32	3.26

Performance Graph at 575V, 60Hz, 3.0HP Typical performance - Not guaranteed values





CD0006



NOTES:

1. THREE LEAD MOTOR MAY BE EITHER WYE CONNECTED OR DELTA CONNECTED.
2. INTERCHANGE ANY TWO LINE LEADS TO REVERSE ROTATION.
3. OPTIONAL THERMOSTATS ARE PROVIDED WHEN SPECIFIED.
4. ACTUAL NUMBER OF INTERNAL PARALLEL CIRCUITS MAY VARY.
5. LEAD COLORS ARE OPTIONAL. LEADS MUST BE NUMBERED AS SHOWN.

REV. DESC: REVISE TO SHOW OPTIONAL COLORS			
REV. LTR: D	BY: JLP	REVISED: 01/21/99 4:02	TDR: 0171435
9000D		FILE: AAA00005141	MDL: -
		MTL: -	

**BALDOR ELECTRIC Co.**

3PH, SV, 3 LEADS, WYE OR DELTA CONNECTED

CD0006