

# **BALDOR**® • ***RELIANCE***

## **Product Information Packet**

# **ECP83764T-5**

**3HP,1165RPM,3PH,60HZ,213T,0736M,TEFC,F1**

Part Detail							
Revision:	N	Status:	PRD/A	Change #:		Proprietary:	No
Type:	AC	Prod. Type:	0736M	Elec. Spec:	07WGY746	CD Diagram:	CD0006
Enclosure:	TEFC	Mfg Plant:		Mech. Spec:	07J415	Layout:	07LYJ415
Frame:	213T	Mounting:	F1	Poles:	06	Created Date:	03-26-2010
Base:	RG	Rotation:	R	Insulation:	F	Eff. Date:	01-27-2016
Leads:	3#14					Replaced By:	
Literature:		Elec. Diagram:					

Nameplate NP3235E			
CAT.NO.	ECP83764T-5		
SPEC.	07J415Y746G1		
HP	3	TE	IP 56
VOLTS	575		
AMP	3.6		
RPM	1165		
FRAME	213T	HZ	60
SER.F.	1.15	CODE	K DES B
RATING	40C AMB-CONT		
SN			
DE	6307	ODE	6206
NEMA-NOM-EFF	89.5	PF	70
G.MIN.EFF	87.5	CC	010A
T. CODE	T3C	T=	160
		PH	3
		CL	F

Nameplate NP3186E			
SPEC.	07J415Y746G1		
D.E. BRG.	35BC03XP30X		
O.D.E. BRG.	30BC02XP30X		
GREASE	POLYREX EM		
WEIGHT	211	# OF ROTOR BARS	27
RPM MAX	1800	MAX. KVAR	1.3
BLANK			
INV. TYPE	PWM	# OF STATOR SLOTS	36
T=	160		
C HP FR	60	C HP TO	90
CT HZ FROM	1.8	CT HZ TO	60
VT HZ FROM	0-	VT HZ TO	60
HTR-VOLTS	N/A	HTR-AMPS	N/A
HTR-WATTS		MAX. SPACE HEATER TEMP.	N/A

Parts List		
Part Number	Description	Quantity
SA194747	SA 07J415Y746G1	1.000 EA
RA182330	RA 07J415Y746G1	1.000 EA
37FN3002C01	EXFN, PLASTIC, 6.00 OD, 1.155 ID	1.000 EA
HW3201A05	3/8-16 EYEBOLT	1.000 EA
09CB1002A05G	CONDUIT BOX, 1.00 N.P.T. (GRAY)	1.000 EA
RM1017	LEAD SEPERATOR GASKET MODEL 307 1/8" THK	1.000 EA
51XW2520A12	.25-20 X .75, TAPTITE II, HEX WSHR SLTD	2.000 EA
11XW1032G06	10-32 X .38, TAPTITE II, HEX WSHR SLTD U	1.000 EA
HW3001B01	BRASS CUP WASHER, FOR #8 SCREW	1.000 EA
10XN2520S06	1/4 20X3/8 HX HD CAP S.S.	2.000 EA
WD1000B16	T&B CX70TN TERMINAL	2.000 EA
37EP1100B56G	206 BRG,C.I.FH,GRSR,RLF,DRAIN FITTING,IN	1.000 EA
HW4601B26	INPRO SEAL, 206 BRG, MINI66	1.000 EA
HW4500A32	FIT./EXT 1698-B (ALEMITE)GREASE FITTING	1.000 EA
HA4051A00	PLASTIC CAP FOR GREASE FITTING	1.000 EA
HW4500A17	317400 ALEMITE GREASE RELIEF	1.000 EA
HA4002A01	DRAIN PLUG STAINLESS STL	1.000 EA
HW5100A06	W2420-025 WVY WSHR (WB)	1.000 EA
37EP1101A90G	307 BRG,BRG RET,GRSR,RLF,DRAIN FITTING,I	1.000 EA
HW4601B25	INPRO SEAL, 307 BRG, MINI66	1.000 EA
HW4500A01	1641B(ALEMITE)400 UNIV, GREASE FITT	1.000 EA
HA4051A00	PLASTIC CAP FOR GREASE FITTING	1.000 EA
HW4500A17	317400 ALEMITE GREASE RELIEF	1.000 EA
HA4002A01	DRAIN PLUG STAINLESS STL	1.000 EA

Parts List (continued)		
Part Number	Description	Quantity
10XN2520A28	1/4-20X 1 3/4 HEX HD	4.000 EA
HA3104A32	THRUBOLT- 5/16-18 X12.750	4.000 EA
XY3118A12	5/16-18 HEX NUT DIRECTIONAL SERRATION	4.000 EA
07FH1001A01G	SPL FAN HOUSING, 307, W/GREASER, GRAY EP	1.000 EA
10XN2520A28	1/4-20X 1 3/4 HEX HD	3.000 EA
WD4100A02	DP-1000 HEYCO PLUG OR 62MP1000 MICRO PL	1.000 EA
12CB1503A03G	CONDUIT BOX LID, MACH (GRAY), WITH LIP	1.000 EA
09GS1013A01	09 GS FOR 09CB3501 LID - BLACK NEOPRENE	1.000 EA
10XN2520A24	1/4-20X 1 1/2 HEX HD X	2.000 EA
HW2501F21	KEY, 5/16 SQ X 2.375	1.000 EA
HA7000A02	KEY RETAINER RING, 1 1/8 DIA, 1 3/8 DIA	1.000 EA
MJ5001A27	32220KN GRAY SEALER *MIN BUY 4 QTS=1GAL	0.001 QT
MJ1000A73	INPRO P-80 ASSEMBLY LUB./ 1 QT. CONTAIN	0.001 QT
85XU0407S04	4X1/4 U DRIVE PIN STAINLESS	4.000 EA
LB1115N	LABEL,LIFTING DEVICE (ON ROLLS)	1.000 EA
LT0019A00	MOTOR NO-LOAD PERFORMANCE DATA SHEET	1.000 EA
WD1000D21	TRM,T&B #B71M,RING,18-14,.25,NON-INSL	3.000 EA
MJ1000A02	GREASE, POLYREX EM EXXON (USe 4824-15A)	0.050 LB
51XB1214A20	12-14X1.25 HXWSSLD SERTYB	1.000 EA
MG1025N19	WILKOFASST, 778.50, RELIANCE BLUE-GREEN	0.036 GA
LB1119N	WARNING LABEL	1.000 EA
LC0006	CONNECTION LABEL	1.000 EA
LB1449	DIV-2/NEC WARNING LABEL	1.000 EA
NP3235E	SS IEEE841 DIV-2 UL CSA-C US EEV PREM	1.000 EA

NP3186E	SS IEEE841 INV AUX DATA INFORMATION	1.000 EA
07PA1011	PKG GRP, 07 CAST IRON PK1181	1.000 EA
MN416A01	TAG-INSTAL-MAINT no wire (1000/bx) 11/14	1.000 EA

**AC Induction Motor Performance Data**

Record # 47371 - Typical performance - not guaranteed values

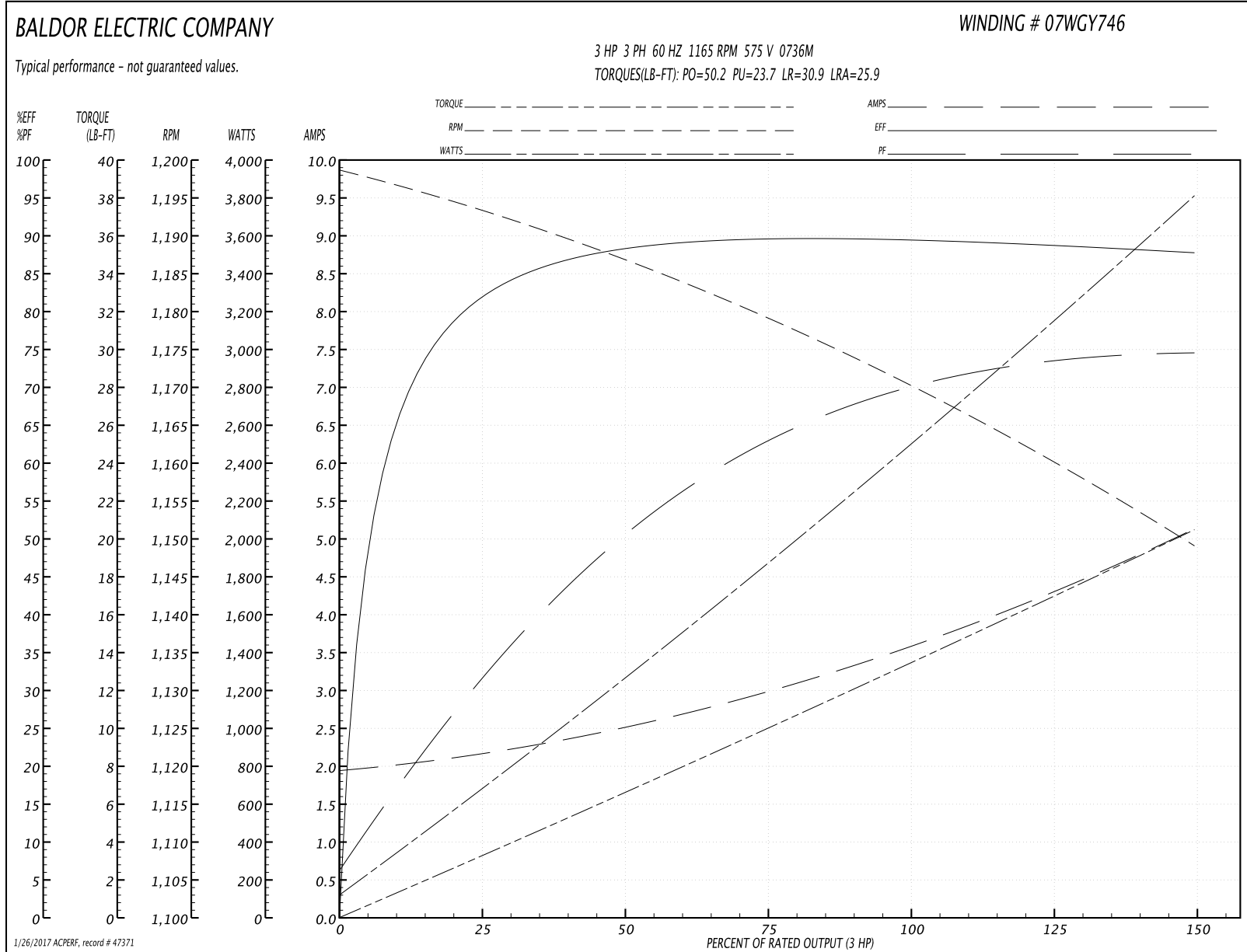
<b>Winding:</b> 07WGY746-R005	<b>Type:</b> 0736M	<b>Enclosure:</b> TEFC
-------------------------------	--------------------	------------------------

Nameplate Data				575 V, 60 Hz: Single Voltage Motor	
Rated Output (HP)	3			Full Load Torque	13.5 LB-FT
Volts	575			Start Configuration	direct on line
Full Load Amps	3.6			Breakdown Torque	50.2 LB-FT
R.P.M.	1165			Pull-up Torque	23.7 LB-FT
Hz	60	Phase	3	Locked-rotor Torque	30.9 LB-FT
NEMA Design Code	B	KVA Code	K	Starting Current	25.9 A
Service Factor (S.F.)	1.15			No-load Current	1.98 A
NEMA Nom. Eff.	89.5	Power Factor	70	Line-line Res. @ 25°C	4.15 Ω
Rating - Duty	40C AMB-CONT			Temp. Rise @ Rated Load	30°C
S.F. Amps				Temp. Rise @ S.F. Load	36°C
				Locked-rotor Power Factor	23
				Rotor inertia	0.895 LB-FT <sup>2</sup>

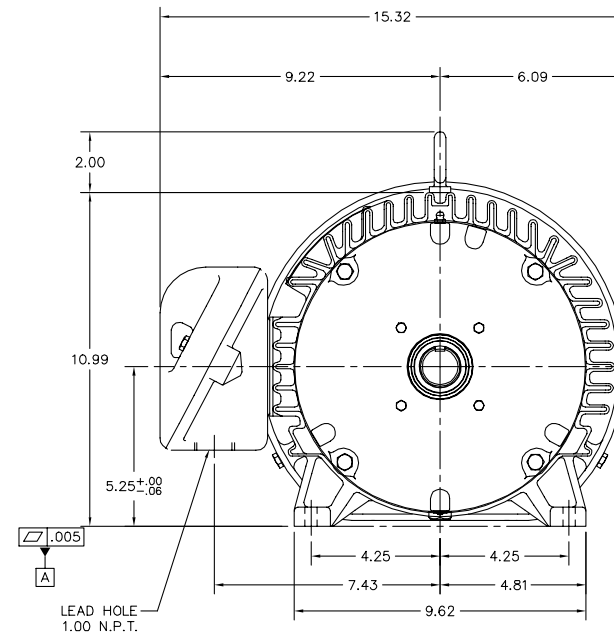
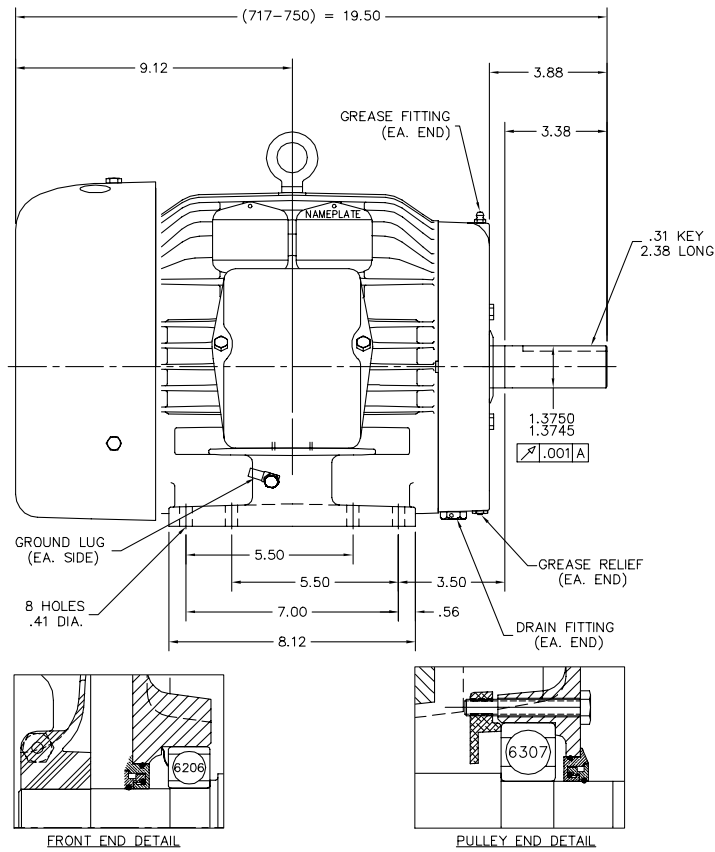
Load Characteristics 575 V, 60 Hz, 3 HP

% of Rated Load	25	50	75	100	125	150	S.F.
Power Factor	33	52	63	70	73	75	72
Efficiency	81.8	88.2	89.3	89.9	88.8	87.7	89.2
Speed	1193	1186	1179	1171	1160	1149	1164
Line amperes	2.12	2.51	3.02	3.61	4.31	5.11	4.03

Performance Graph at 575V, 60Hz, 3.0HP Typical performance - Not guaranteed values



07LYJ415



07LYJ415

CUSTOMER IS RESPONSIBLE FOR DETERMINING THAT BALDOR'S PRODUCT WILL PERFORM SUITABLY IN THE INTENDED APPLICATION.

REV. DESC: MOVE FAN HOUSING TO CORRECT POSITION - UPDATE CLAS	VERSION: 02	TDR: 000000783076
REV. LTR: C	REVISOR: 01/25/2013	BY: ENCARJO
FILE: \AAA\00084\407		
MTL: -		

**BALDOR**  
 HOR 213-5T TEFC 07M CP W/INPROS, SS DRAINS, FOOT FLAT, TIR  
 SH 1 of 1

CD0006



NOTES:

1. THREE LEAD MOTOR MAY BE EITHER WYE CONNECTED OR DELTA CONNECTED.
2. INTERCHANGE ANY TWO LINE LEADS TO REVERSE ROTATION.
3. OPTIONAL THERMOSTATS ARE PROVIDED WHEN SPECIFIED.
4. ACTUAL NUMBER OF INTERNAL PARALLEL CIRCUITS MAY VARY.
5. LEAD COLORS ARE OPTIONAL. LEADS MUST BE NUMBERED AS SHOWN.

REV. DESC: REVISE TO SHOW OPTIONAL COLORS			
REV. LTR: D	BY: JLP	REVISED: 01/21/99 4:02	TDR: 0171435
9000D		FILE: AAA00005141	MDL: -
		MTL: -	

**BALDOR ELECTRIC Co.**

3PH, SV, 3 LEADS, WYE OR DELTA CONNECTED

CD0006