

BALDOR® • **RELIANCE**

Product Information Packet

EJMM3709T-G

7.5HP,3520RPM,3PH,60HZ,213JM,3728M,TEFC

| Part Detail | | | | | | | |
|-------------|-------|----------------|-------|-------------|----------|---------------|------------|
| Revision: | J | Status: | PRD/A | Change #: | | Proprietary: | No |
| Type: | AC | Prod. Type: | 3728M | Elec. Spec: | 37WGR224 | CD Diagram: | CD0005 |
| Enclosure: | TEFC | Mfg Plant: | | Mech. Spec: | 37K496 | Layout: | 37LYK496 |
| Frame: | 213JM | Mounting: | F1 | Poles: | 02 | Created Date: | 09-11-2012 |
| Base: | RG | Rotation: | R | Insulation: | H | Eff. Date: | 05-27-2016 |
| Leads: | 9#14 | | | | | Replaced By: | |
| Literature: | | Elec. Diagram: | | | | | |

| Nameplate NP1259L | | | | | | | | | | |
|-------------------|--------------|--|------|----|----------------|------|--|------|----|---|
| CAT.NO. | EJMM3709T-G | | | | | | | | | |
| SPEC. | 37K496R224G1 | | | | | | | | | |
| HP | 7.5 | | | | | | | | | |
| VOLTS | 230/460 | | | | | | | | | |
| AMP | 18/9 | | | | | | | | | |
| RPM | 3520 | | | | | | | | | |
| FRAME | 213JM | | | | HZ | 60 | | | PH | 3 |
| SER.F. | 1.15 | | CODE | J | DES | A | | CL | H | |
| NEMA-NOM-EFF | 89.5 | | PF | 84 | | | | | | |
| RATING | 40C AMB-CONT | | | | | | | | | |
| CC | 010A | | | | USABLE AT 208V | | | 19.4 | | |
| DE | 6309 | | | | ODE | 6206 | | | | |
| ENCL | TEFC | | SN | | | | | | | |

| Parts List | | |
|-------------|--|----------|
| Part Number | Description | Quantity |
| SA250910 | SA 37K496R224G1 | 1.000 EA |
| RA237758 | RA 37K496R224G1 | 1.000 EA |
| 36FN3000B02 | EXFN, PLASTIC, 6.00 OD, 1.175 ID | 1.000 EA |
| HW3200A01 | 3/8-16X3/4 I-BLT WELDED F/S | 1.000 EA |
| 37CB3006 | 37 CB CASTING W/1.38 LEAD HOLE @ 6:00 | 1.000 EA |
| 37GS1000 | GASKET, CONDUIT BOX STD., .06 THICK LEXI | 1.000 EA |
| 51XW2520A12 | .25-20 X .75, TAPTITE II, HEX WSHR SLTD | 2.000 EA |
| 11XW1032G06 | 10-32 X .38, TAPTITE II, HEX WSHR SLTD U | 1.000 EA |
| 37EP3101A29 | FR ENDPLATE, FOR ROUTING PURPOSES | 1.000 EA |
| HW4500A17 | 317400 ALEMITE GREASE RELIEF | 1.000 EA |
| HW4500A01 | 1641B(ALEMITE)400 UNIV, GREASE FITT | 1.000 EA |
| HW5100A06 | W2420-025 WVY WSHR (WB) | 1.000 EA |
| 37PE3401T11 | PUEP ASSEMBLY FOR ROUTING PURPOSES | 1.000 EA |
| HW4500A17 | 317400 ALEMITE GREASE RELIEF | 1.000 EA |
| HW4500A01 | 1641B(ALEMITE)400 UNIV, GREASE FITT | 1.000 EA |
| 10XN2520A36 | 1/4-20X 2 1/4 HEX HD X | 4.000 EA |
| HW1001A25 | LOCKWASHER 1/4, ZINC PLT .493 OD, .255 I | 4.000 EA |
| XY3118A12 | 5/16-18 HEX NUT DIRECTIONAL SERRATION | 4.000 EA |
| 07FH4007SP | PRIMED | 1.000 EA |
| 51XW1032A06 | 10-32 X .38, TAPTITE II, HEX WSHR SLTD S | 3.000 EA |
| HW4600A73 | SLINGER 1.748 X 2.375 X 0.250 FACE SEAL | 1.000 EA |
| 37CB4516 | LIPPED LID FOR 37 FRAME NEC KOBX | 1.000 EA |
| 37GS1008 | 37 GS FOR CB LID - LEXIDE | 1.000 EA |
| 51XW0832A07 | 8-32 X .44, TAPTITE II, HEX WSHR SLTD SE | 4.000 EA |

| Parts List (continued) | | |
|-------------------------------|--|-----------------|
| Part Number | Description | Quantity |
| HW2501D13 | KEY, 3/16 SQ X 1.375 | 1.000 EA |
| HA7000A01 | KEY RETAINER 7/8" DIA SHAFT | 1.000 EA |
| LB1115N | LABEL,LIFTING DEVICE (ON ROLLS) | 1.000 EA |
| 85XU0407S04 | 4X1/4 U DRIVE PIN STAINLESS | 2.000 EA |
| LB1459 | AEGIS SGR LABEL "AEGISLBL-100" | 1.000 EA |
| MJ1000A02 | GREASE, POLYREX EM EXXON (USe 4824-15A) | 0.050 LB |
| 51XB1214A20 | 12-14X1.25 HXWSSLD SERTYB | 1.000 EA |
| MG1000Y03 | MUNSELL 2.53Y 6.70/ 4.60, GLOSS 20, | 0.028 GA |
| HA3104A14 | THRUBOLT- 5/16-18 X12.125(OHIO) | 4.000 EA |
| LC0005E01 | CONN.DIA./WARNING LABEL (LC0005/LB1119N) | 1.000 EA |
| NP1259L | ALUM SUPER-E UL CSA-EEV CC NEMA PREMIUM | 1.000 EA |
| G0PA1000 | PKG GRP, PRINT PK1026A06 | 1.000 EA |
| MN416A01 | TAG-INSTAL-MAINT no wire (1000/bx) 11/14 | 1.000 EA |

AC Induction Motor Performance Data

Record # 53379 - Typical performance - not guaranteed values

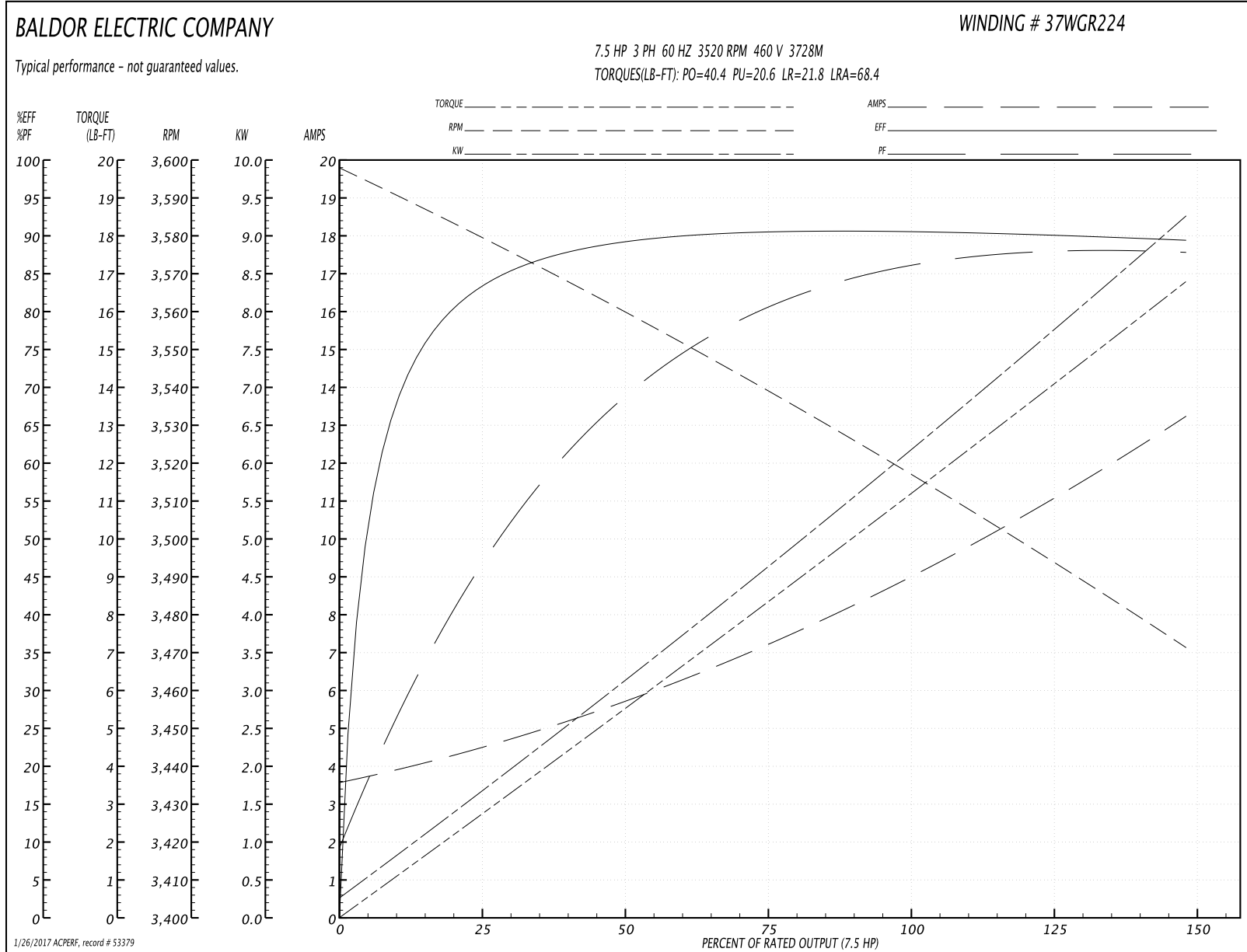
| | | |
|-------------------------------|--------------------|------------------------|
| Winding: 37WGR224-R034 | Type: 3728M | Enclosure: TEFC |
|-------------------------------|--------------------|------------------------|

| Nameplate Data | | | | 460 V, 60 Hz: High Voltage Connection | |
|-----------------------|--------------|--------------|----|--|--------------------------|
| Rated Output (HP) | 7.5 | | | Full Load Torque | 10.9 LB-FT |
| Volts | 230/460 | | | Start Configuration | direct on line |
| Full Load Amps | 18/9 | | | Breakdown Torque | 40.4 LB-FT |
| R.P.M. | 3520 | | | Pull-up Torque | 20.6 LB-FT |
| Hz | 60 | Phase | 3 | Locked-rotor Torque | 21.8 LB-FT |
| NEMA Design Code | A | KVA Code | J | Starting Current | 68.4 A |
| Service Factor (S.F.) | 1.15 | | | No-load Current | 3.73 A |
| NEMA Nom. Eff. | 89.5 | Power Factor | 84 | Line-line Res. @ 25°C | 1.1531 Ω |
| Rating - Duty | 40C AMB-CONT | | | Temp. Rise @ Rated Load | 45°C |
| S.F. Amps | | | | Temp. Rise @ S.F. Load | 54°C |
| | | | | Locked-rotor Power Factor | 33 |
| | | | | Rotor inertia | 0.255 LB-FT ² |

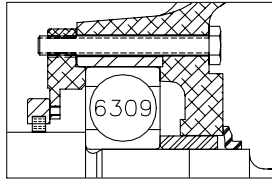
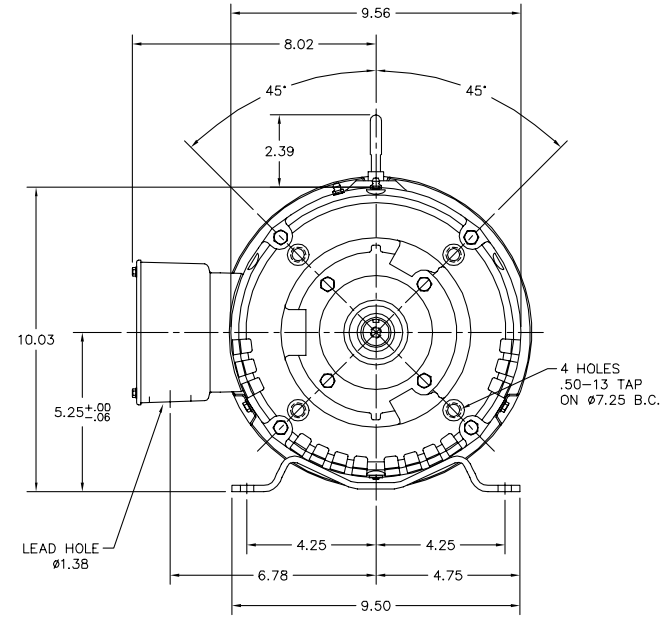
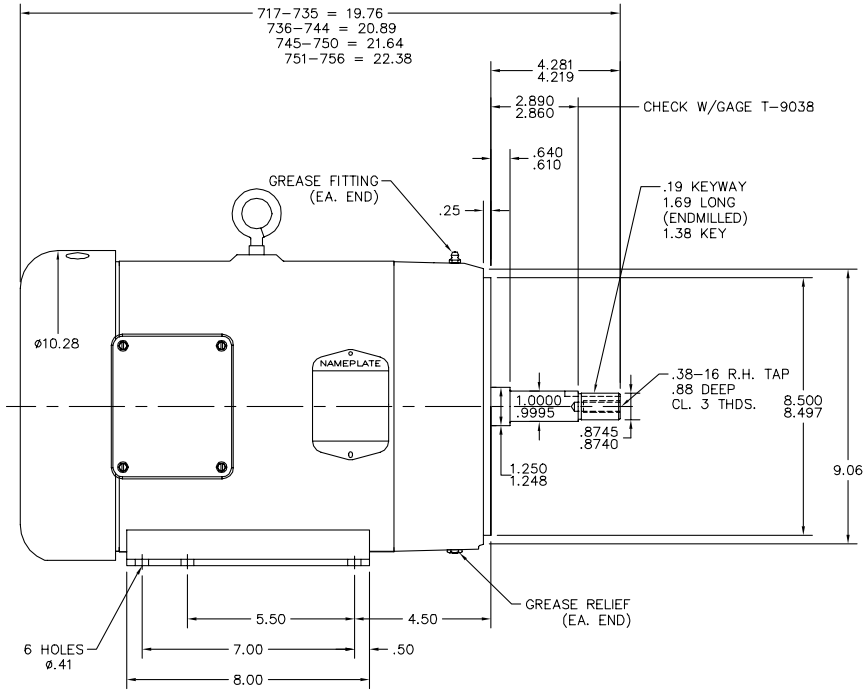
Load Characteristics 460 V, 60 Hz, 7.5 HP

| % of Rated Load | 25 | 50 | 75 | 100 | 125 | 150 | S.F. |
|-----------------|--------|--------|--------|--------|--------|--------|------|
| Power Factor | 45 | 69 | 79 | 84 | 87 | 89 | 86 |
| Efficiency | 81.5 | 88.8 | 90.5 | 90.6 | 90.1 | 89.2 | 90.3 |
| Speed | 3580.5 | 3562.7 | 3541.6 | 3520.3 | 3496.3 | 3470.9 | 3506 |
| Line amperes | 4.22 | 5.36 | 7.03 | 8.94 | 11 | 13.1 | 10.2 |

Performance Graph at 460V, 60Hz, 7.5HP Typical performance - Not guaranteed values



37LYK496



PULLEY END DETAIL

CUSTOMER IS RESPONSIBLE FOR DETERMINING THAT BALDOR'S PRODUCT WILL PERFORM SUITABLY IN THE INTENDED APPLICATION.

| | | |
|-------------------------|------------------------------|-------------------|
| REV. DESC: CHANGE C-DIM | VERSION: 01 | TDR: 000000825460 |
| REV. LTR: A | REVISED: 04:16:29 11/05/2013 | BY: ENKANVO |
| FILE: \AAA\00187\287 | | |
| MTL: - | | |

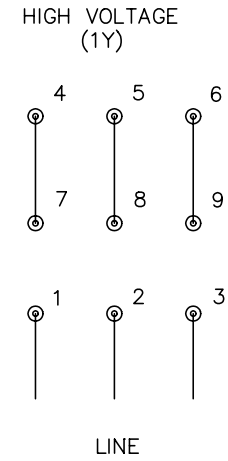
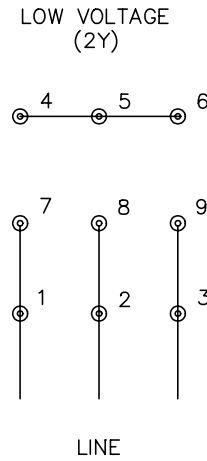
BALDOR

HOR 213-5JM TEFC M W/AEGIS INTERNAL SHAFT GROUND

SH 1 of 1

37LYK496

CD0005



NOTES:

1. INTERCHANGE ANY TWO LINE LEADS TO REVERSE ROTATION.
2. OPTIONAL THERMOSTATS ARE PROVIDED WHEN SPECIFIED.
3. ACTUAL NUMBER OF INTERNAL PARALLEL CIRCUITS MAY BE A MULTIPLE OF THOSE SHOWN ABOVE.
4. LEAD COLORS ARE OPTIONAL. LEADS MUST ALWAYS BE NUMBERED AS SHOWN.

| | | | |
|---|---------|-------------------------|--------------|
| REV. DESC: REVISE TO SHOW OPTIONAL COLORS | | | |
| REV. LTR: E | BY: JLP | REVISED: 01/19/99 10:15 | TDR: 0171435 |
| 90000 | | FILE: AAA00005140 | MDL: - |
| | | MTL: - | |

BALDOR ELECTRIC Co.

3PH, DV, 9 LEADS

CD0005