

BALDOR® • ***RELIANCE***

Product Information Packet

EJMM7075T

3HP,3450RPM,3PH,60HZ,145JM,3532M,XPFC,F1

Part Detail							
Revision:	-	Status:	PRD/A	Change #:		Proprietary:	No
Type:	AC	Prod. Type:	3532M	Elec. Spec:	35WGQ060	CD Diagram:	CD0005
Enclosure:	XPFC	Mfg Plant:		Mech. Spec:	35T904	Layout:	35LYT904
Frame:	145JM	Mounting:	F1	Poles:	02	Created Date:	10-14-2015
Base:	RG	Rotation:	R	Insulation:	F	Eff. Date:	10-28-2015
Leads:	9#18					Replaced By:	
Literature:		Elec. Diagram:					

Nameplate NP0015XPSLEV

NO.		CC	010A		
SER.					
SPEC.	35T904Q060G1				
CAT.NO.	EJMM7075T				
HP	3	T. CODE	T3C		
VOLTS	230/460				
AMPS	7.2/3.6				
RPM	3450				
HZ	60	PH	3	CL	F
SER.F.	1.00	DES	B	CODE	L
RATING	40C AMB-CONT				
FRAME	145JM	NEMA-NOM-EFF		86.5	
USABLE AT 208V	7.9	PF	92		
BLANK					

Parts List		
Part Number	Description	Quantity
SA309112	SA 35T904Q060G1	1.000 EA
RA296453	RA 35T904Q060G1	1.000 EA
MJ5000A09	EFI KIT #1578 (400 ML CARTRIDGE OF EFI	0.050 EA
35CB3001A02SP	EXPL PROOF CONDUIT BOX, 3/4"PIPE TAP LEA	1.000 EA
11XW1032G06	10-32 X .38, TAPTITE II, HEX WSHR SLTD U	1.000 EA
HW3001B01	BRASS CUP WASHER, FOR #8 SCREW	1.000 EA
35EP3700A01SP	FR ENDPLATE, XPFC	1.000 EA
HW5100A03SP	WAVY WASHER (W1543-017)	1.000 EA
35EP1706A01	PU.ENDPLATE 206 BRG,35,XP,143-145JM	1.000 EA
51XN1032A20	10-32 X 1 1/4 HX WS SL SR	2.000 EA
HW4001A01	1/4 HX SOC PIPE PLG (F/S) ALLOY STEEL W/	2.000 EA
60XN1032A07	10-32 X 1/2 TRUSS HEAD, TORX SERRATED ZN	2.000 EA
XY3118A12	5/16-18 HEX NUT DIRECTIONAL SERRATION	4.000 EA
35FH4005A01SP	IEC FH NO GREASER W/PRIMED	1.000 EA
51XW1032A06	10-32 X .38, TAPTITE II, HEX WSHR SLTD S	3.000 EA
35CB3500A01SP	CONDUIT BOX LID, MACH	1.000 EA
51XN2520A16	SCREW, HEX WS SLT, ZN, 1/4-20 X 1.00	4.000 EA
HW2501D13	KEY, 3/16 SQ X 1.375	1.000 EA
HA7000A01	KEY RETAINER 7/8" DIA SHAFT	1.000 EA
85XU0407S04	4X1/4 U DRIVE PIN STAINLESS	6.000 EA
NP0018W	ALUM UL XP CONDUIT BOX NAMEPLATE	1.000 EA
MJ1000A02	GREASE, POLYREX EM EXXON (USe 4824-15A)	0.050 LB
34FN3002B01	EXTERNAL FAN, PLASTIC, .637/.639 HUB W/	1.000 EA
MG1025G29	WILKOFAS, 789.229, DARK CHARCOAL GRAY	0.014 GA

Parts List (continued)		
Part Number	Description	Quantity
HA3104A10	THRUBOLT, 5/16-18 X 10.25	4.000 EA
LC0145B01	CONNECTION LABEL	1.000 EA
LB1119N	WARNING LABEL	1.000 EA
MN416A01	TAG-INSTAL-MAINT no wire (1000/bx) 11/14	1.000 EA
NP0015XPSLEV	SS XP UL CSA-EEV CC CL-I GP-D	1.000 EA
35PA1007	PKG GRP, PRINT PK1034A06	1.000 EA

AC Induction Motor Performance Data

Record # 53449 - Typical performance - not guaranteed values

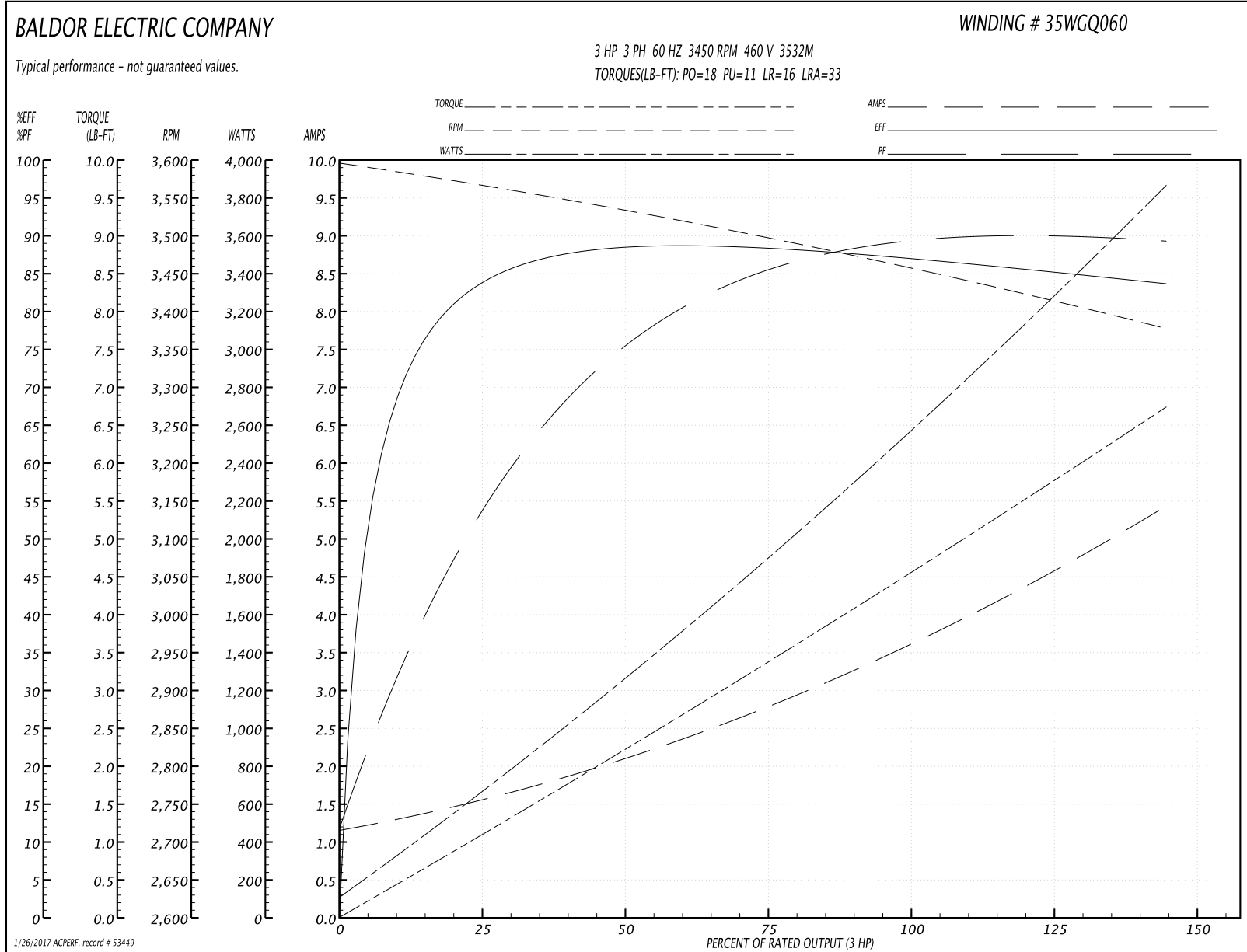
Winding: 35WGQ060-R025	Type: 3532M	Enclosure: XPFC
-------------------------------	--------------------	------------------------

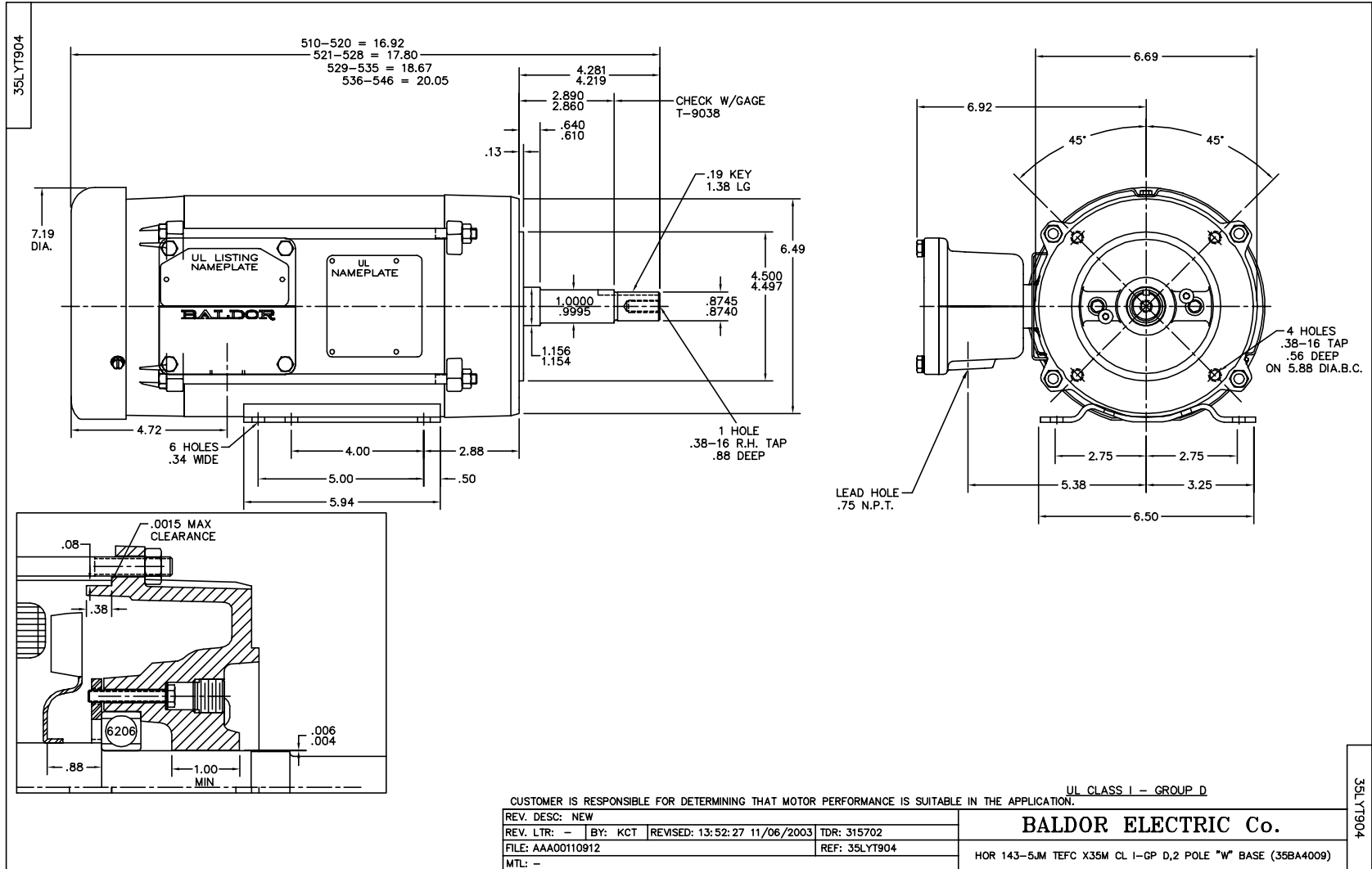
Nameplate Data				460 V, 60 Hz: High Voltage Connection	
Rated Output (HP)	3			Full Load Torque	4.5 LB-FT
Volts	230/460			Start Configuration	direct on line
Full Load Amps	7.2/3.6			Breakdown Torque	18 LB-FT
R.P.M.	3450			Pull-up Torque	11 LB-FT
Hz	60	Phase	3	Locked-rotor Torque	16 LB-FT
NEMA Design Code	B	KVA Code	L	Starting Current	33 A
Service Factor (S.F.)	1			No-load Current	1.2 A
NEMA Nom. Eff.	86.5	Power Factor	92	Line-line Res. @ 25°C	4.7 Ω
Rating - Duty	40C AMB-CONT			Temp. Rise @ Rated Load	61°C
				Locked-rotor Power Factor	47.1
				Rotor inertia	0.0885 LB-FT ²

Load Characteristics 460 V, 60 Hz, 3 HP

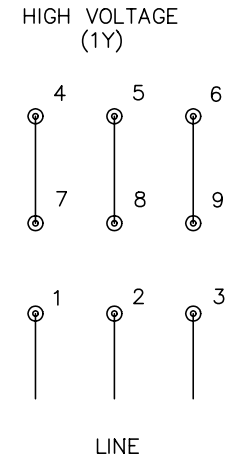
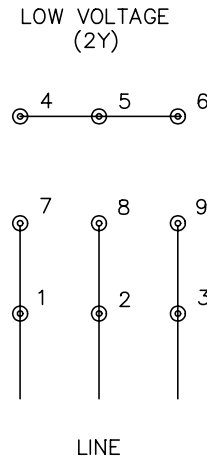
% of Rated Load	25	50	75	100	125	150
Power Factor	57	77	85	88	89	90
Efficiency	84.1	87.9	88.4	87.2	85.7	83.5
Speed	3562	3531	3498	3462	3421	3375
Line amperes	1.5	2.1	2.8	3.6	4.5	5.4

Performance Graph at 460V, 60Hz, 3.0HP Typical performance - Not guaranteed values





CD0005



NOTES:

1. INTERCHANGE ANY TWO LINE LEADS TO REVERSE ROTATION.
2. OPTIONAL THERMOSTATS ARE PROVIDED WHEN SPECIFIED.
3. ACTUAL NUMBER OF INTERNAL PARALLEL CIRCUITS MAY BE A MULTIPLE OF THOSE SHOWN ABOVE.
4. LEAD COLORS ARE OPTIONAL. LEADS MUST ALWAYS BE NUMBERED AS SHOWN.

REV. DESC: REVISE TO SHOW OPTIONAL COLORS			
REV. LTR: E	BY: JLP	REVISED: 01/19/99 10:15	TDR: 0171435
9000D		FILE: AAA00005140	MDL: -
		MTL: -	

BALDOR ELECTRIC Co.

3PH, DV, 9 LEADS

CD0005