

# **BALDOR® • RELIANCE**

## **Product Information Packet**

### **EM3556-5**

**1HP,1155RPM,3PH,60HZ,56H,3526M,TEFC,F1,N**

Part Detail							
Revision:	E	Status:	PRD/A	Change #:		Proprietary:	No
Type:	AC	Prod. Type:	3526M	Elec. Spec:	35WGM846	CD Diagram:	CD0006
Enclosure:	TEFC	Mfg Plant:		Mech. Spec:	35H876	Layout:	35LYH876
Frame:	56H	Mounting:	F1	Poles:	06	Created Date:	08-01-2015
Base:	RG	Rotation:	R	Insulation:	F	Eff. Date:	01-24-2017
Leads:	3#18					Replaced By:	
Literature:		Elec. Diagram:					

<b>Nameplate NP3441L</b>										
<b>CAT.NO.</b>	EM3556-5									
<b>SPEC.</b>	35H876M846G1									
<b>HP</b>	1									
<b>VOLTS</b>	575									
<b>AMP</b>	1.4									
<b>RPM</b>	1155									
<b>FRAME</b>	56H					<b>HZ</b>	60		<b>PH</b>	3
<b>SER.F.</b>	1.15			<b>CODE</b>	K	<b>DES</b>	B		<b>CL</b>	F
<b>NEMA-NOM-EFF</b>	82.5			<b>PF</b>	64					
<b>RATING</b>	46C AMB-CONT									
<b>CC</b>	010A					<b>USABLE AT 208V</b>				
<b>DE</b>	6205					<b>ODE</b>	6203			
<b>ENCL</b>	TEFC			<b>SN</b>						
<b>VPWM INVERTER READY</b>										
CT6-60H(10:1)VT3-60H(20:1)										

Parts List		
Part Number	Description	Quantity
SA304963	SA 35H876M846G1	1.000 EA
RA292151	RA 35H876M846G1	1.000 EA
35FN3002A05	EXFN, PLASTIC, 6.376 OD, .638 ID	1.000 EA
NS2512A01	INSULATOR, CONDUIT BOX X	1.000 EA
35CB3007	35 CB CASTING W/.88 DIA. LEAD HOLE	1.000 EA
36GS1000SP	GASKET-CONDUIT BOX, .06 THICK #SV-330 LE	1.000 EA
51XB1016A07	10-16 X 7/16 HXWSSLD SERTYB	2.000 EA
11XW1032G06	10-32 X .38, TAPTITE II, HEX WSHR SLTD U	1.000 EA
35EP3100M02	FREP TEFC 203 BRG W/O GRSR (RAISED FH MT	1.000 EA
HW5100A03SP	WAVY WASHER (W1543-017)	1.000 EA
35EP3101A02SP	STD PU ENDPLATE-ENCL-205 BRG LESS GREASE	1.000 EA
XY1032A02	10-32 HEX NUT DIRECTIONAL SERRATION	4.000 EA
35FH4005A32SP	IEC FH NO GRSR W/3 HOLES - PRIMED	1.000 EA
51XW1032A06	10-32 X .38, TAPTITE II, HEX WSHR SLTD S	3.000 EA
35CB4521GX	CONDUIT BOX LID KIT	1.000 EA
51XW0832A07	8-32 X .44, TAPTITE II, HEX WSHR SLTD SE	4.000 EA
HW2501D13	KEY, 3/16 SQ X 1.375	1.000 EA
HA7000A04	KEY RETAINER 0.625 DIA SHAFTS	1.000 EA
85XU0407S04	4X1/4 U DRIVE PIN STAINLESS	2.000 EA
MJ1000A02	GREASE, POLYREX EM EXXON (USe 4824-15A)	0.050 LB
51XB1214A16	12-14X1.00 HXWSSLD SERTYB	1.000 EA
MG1000Y03	MUNSELL 2.53Y 6.70/ 4.60, GLOSS 20,	0.017 GA
HA3100A18	THRUBOLT 10-32 X 9.250	4.000 EA
LB1119N	WARNING LABEL	1.000 EA

<b>Parts List (continued)</b>		
<b>Part Number</b>	<b>Description</b>	<b>Quantity</b>
NP3441L	ALUM SUPER-E VPWM INVERTER READY UL	1.000 EA
36PA1000	PKG GRP, PRINT PK1016A06	1.000 EA
LC0006	CONNECTION LABEL	1.000 EA
MN416A01	TAG-INSTAL-MAINT no wire (1000/bx) 11/14	1.000 EA

**AC Induction Motor Performance Data**

Record # 34658 - Typical performance - not guaranteed values

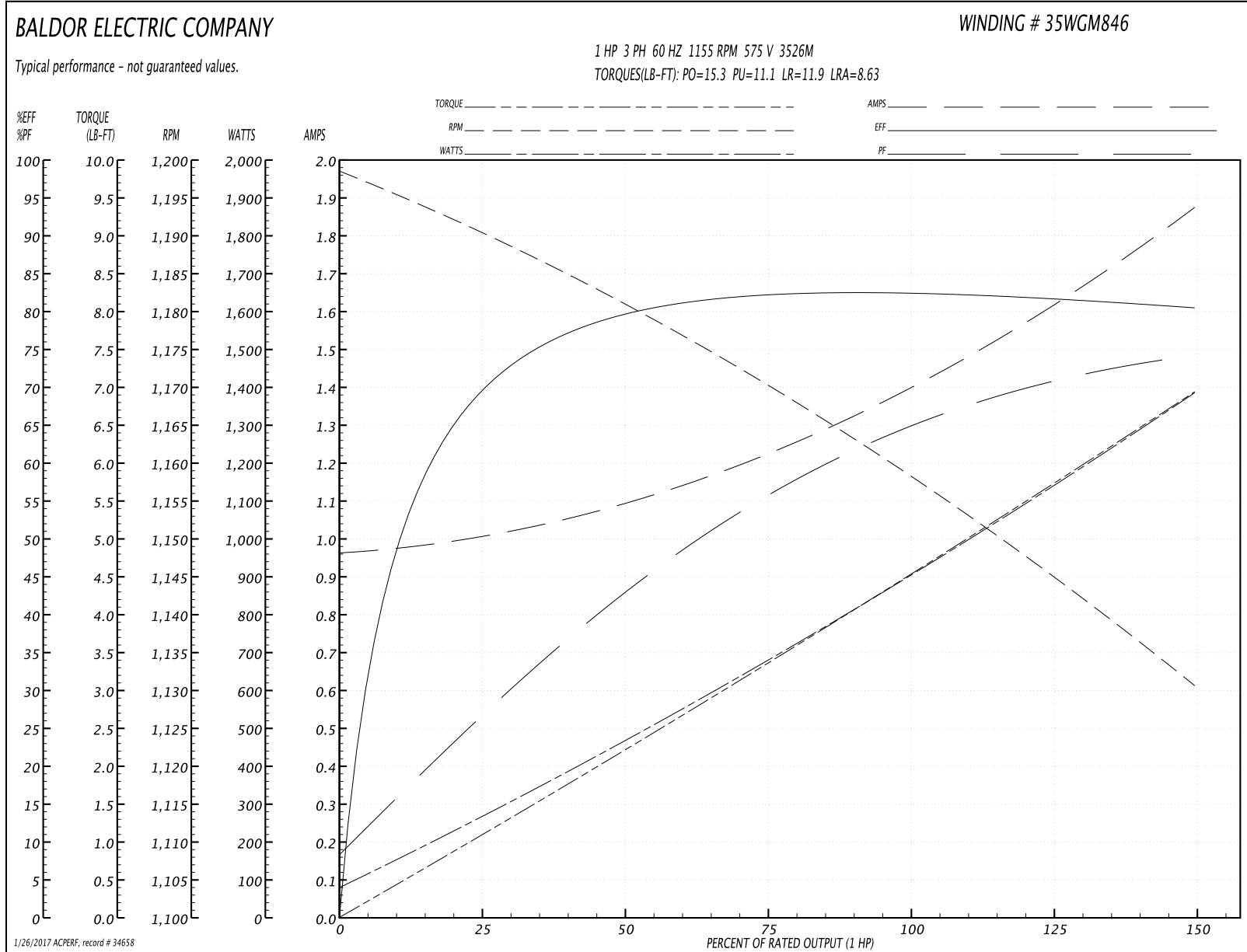
<b>Winding:</b> 35WGM846-R006	<b>Type:</b> 3526M	<b>Enclosure:</b> TEFC
-------------------------------	--------------------	------------------------

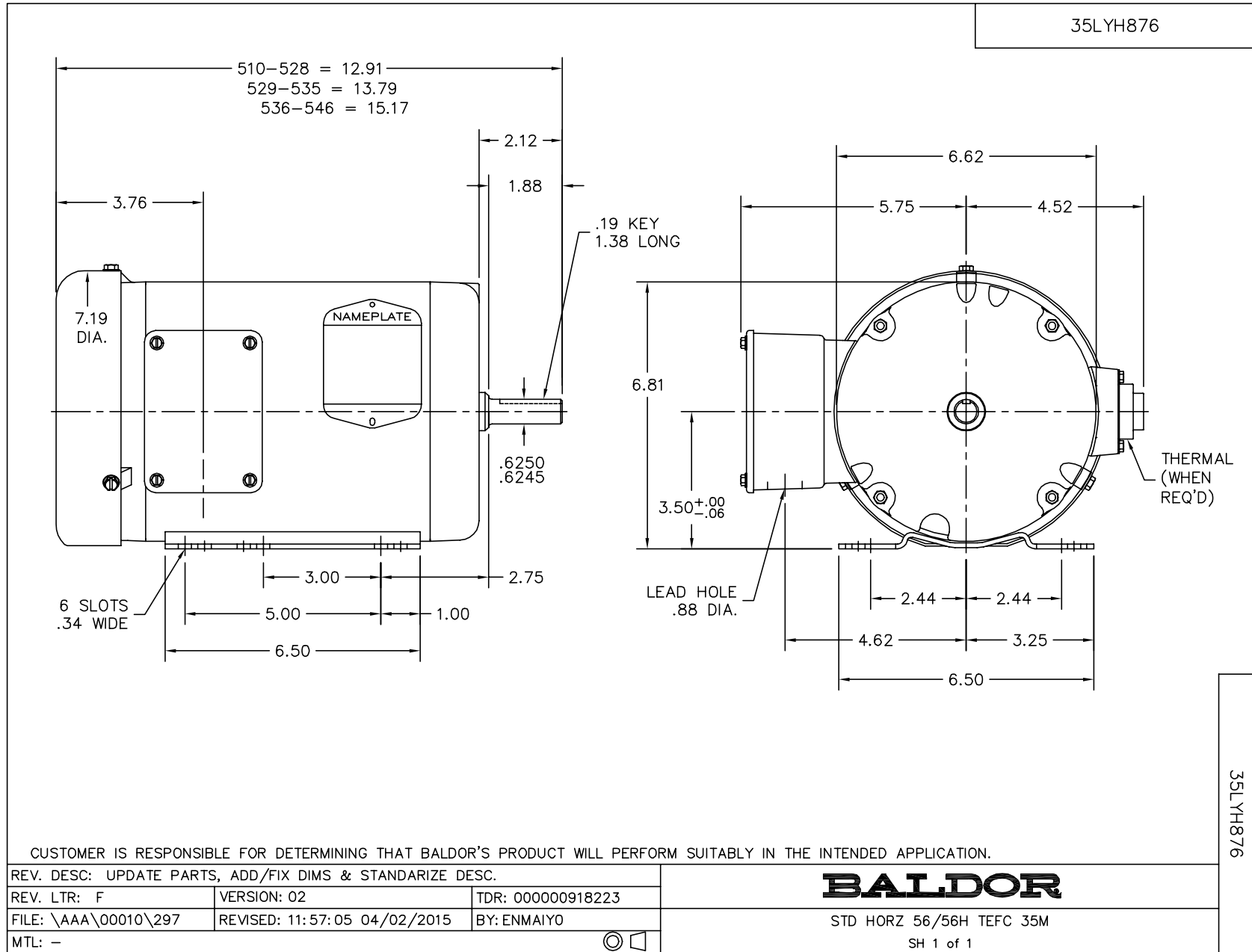
Nameplate Data				575 V, 60 Hz: Single Voltage Motor	
Rated Output (HP)	1			Full Load Torque	4.51 LB-FT
Volts	575			Start Configuration	direct on line
Full Load Amps	1.4			Breakdown Torque	15.3 LB-FT
R.P.M.	1155			Pull-up Torque	11.1 LB-FT
Hz	60	Phase	3	Locked-rotor Torque	11.9 LB-FT
NEMA Design Code	B	KVA Code	K	Starting Current	8.63 A
Service Factor (S.F.)	1.15			No-load Current	0.968 A
NEMA Nom. Eff.	82.5	Power Factor	64	Line-line Res. @ 25°C	25.4 Ω
Rating - Duty	46C AMB-CONT			Temp. Rise @ Rated Load	47°C
S.F. Amps				Temp. Rise @ S.F. Load	57°C
				Locked-rotor Power Factor	42
				Rotor inertia	0.155 LB-FT <sup>2</sup>

Load Characteristics 575 V, 60 Hz, 1 HP

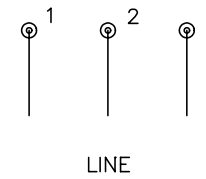
% of Rated Load	25	50	75	100	125	150	S.F.
Power Factor	27	43	56	64	70	75	68
Efficiency	69	79.2	82	82.7	82	80.3	82.3
Speed	1190	1181	1170	1159	1146	1130	1151
Line amperes	1	1.09	1.22	1.4	1.62	1.87	1.53

Performance Graph at 575V, 60Hz, 1.0HP Typical performance - Not guaranteed values





CD0006



NOTES:

1. THREE LEAD MOTOR MAY BE EITHER WYE CONNECTED OR DELTA CONNECTED.
2. INTERCHANGE ANY TWO LINE LEADS TO REVERSE ROTATION.
3. OPTIONAL THERMOSTATS ARE PROVIDED WHEN SPECIFIED.
4. ACTUAL NUMBER OF INTERNAL PARALLEL CIRCUITS MAY VARY.
5. LEAD COLORS ARE OPTIONAL. LEADS MUST BE NUMBERED AS SHOWN.

REV. DESC: REVISE TO SHOW OPTIONAL COLORS			
REV. LTR: D	BY: JLP	REVISED: 01/21/99 4:02	TDR: 0171435
9000D		FILE: AAA00005141	MDL: -
		MTL: -	

**BALDOR ELECTRIC Co.**

3PH, SV, 3 LEADS, WYE OR DELTA CONNECTED

CD0006