

BALDOR® • ***RELIANCE***

Product Information Packet

EM3610T

3HP,3450RPM,3PH,60HZ,182T,3532M,TEFC,F1

Part Detail							
Revision:	F	Status:	PRD/A	Change #:		Proprietary:	No
Type:	AC	Prod. Type:	3532M	Elec. Spec:	35WGQ060	CD Diagram:	CD0005
Enclosure:	TEFC	Mfg Plant:		Mech. Spec:	35L100	Layout:	35LYL100
Frame:	182T	Mounting:	F1	Poles:	02	Created Date:	10-24-2012
Base:	RG	Rotation:	R	Insulation:	F	Eff. Date:	12-09-2016
Leads:	9#18					Replaced By:	
Literature:		Elec. Diagram:					

Nameplate NP3441LUA										
CAT.NO.	EM3610T									
SPEC.	35L100Q060G2									
HP	3									
VOLTS	230/460									
AMP	7.2/3.6									
RPM	3450									
FRAME	182T				HZ	60			PH	3
SER.F.	1.15		CODE	L	DES	B		CL	F	
NEMA-NOM-EFF	86.5		PF	92						
RATING	40C AMB-CONT									
CC	010A				USABLE AT 208V			7.9		
DE	6206				ODE	6203				
ENCL	TEFC		SN							
VPWM INVERTER READY										
CT6-60H(10:1)VT3-60H(20:1										
50Hz 3HP 190/380V 8.8/4.4A									SF1.0	

Parts List		
Part Number	Description	Quantity
SA253373	SA 35L100Q060G2	1.000 EA
RA240190	RA 35L100Q060G2	1.000 EA
34FN3002B01	EXTERNAL FAN, PLASTIC, .637/.639 HUB W/	1.000 EA
S/P107-000-001	SUPER E PROC'S-FS, WS & CK PLTS	1.000 EA
NS2512A01	INSULATOR, CONDUIT BOX X	1.000 EA
35CB3009	35 CB W/1.09 DIA. LEAD HOLE @ 6:	1.000 EA
36GS1000SP	GASKET-CONDUIT BOX, .06 THICK #SV-330 LE	1.000 EA
51XB1016A07	10-16 X 7/16 HXWSSLD SERTYB	2.000 EA
11XW1032G06	10-32 X .38, TAPTITE II, HEX WSHR SLTD U	1.000 EA
35EP3100M01	FREP TEFC 203 BRG W/GRSR (RAISED FH PADS	1.000 EA
HW4500A01	1641B(ALEMITE)400 UNIV, GREASE FITT	1.000 EA
HW5100A03SP	WAVY WASHER (W1543-017)	1.000 EA
35EP3113A01	PU ENDPLATE, MACH W/206 BRG	1.000 EA
HW4500A01	1641B(ALEMITE)400 UNIV, GREASE FITT	1.000 EA
XY1032A02	10-32 HEX NUT DIRECTIONAL SERRATION	4.000 EA
35FH4005A84SP	IEC FH W/GRSR, NO DIMPLES PRIMED	1.000 EA
51XW1032A06	10-32 X .38, TAPTITE II, HEX WSHR SLTD S	3.000 EA
35CB4521	35 LIPPED CB LID (GALV & PHOSPH)	1.000 EA
35GS1030	35 GS FOR CB LID - LEXIDE	1.000 EA
51XW0832A07	8-32 X .44, TAPTITE II, HEX WSHR SLTD SE	4.000 EA
HW2501E16	3KEY, 1/4 SQ X 1.750	1.000 EA
HA7000A02	KEY RETAINER RING, 1 1/8 DIA, 1 3/8 DIA	1.000 EA
85XU0407S04	4X1/4 U DRIVE PIN STAINLESS	2.000 EA
MJ1000A02	GREASE, POLYREX EM EXXON (USe 4824-15A)	0.050 LB

Parts List (continued)		
Part Number	Description	Quantity
MG1000Y03	MUNSELL 2.53Y 6.70/ 4.60, GLOSS 20,	0.017 GA
HA3100A24	THRUBOLT 10-32 X 10.625	4.000 EA
LC0005E01	CONN.DIA./WARNING LABEL (LC0005/LB1119N)	1.000 EA
MN416A01	TAG-INSTAL-MAINT no wire (1000/bx) 11/14	1.000 EA
NP3441LUA	ALUM SUPER-E VPWM INV READY UL	1.000 EA
36PA1001	PKG GRP, PRINT PK1017A06	1.000 EA

AC Induction Motor Performance Data

Record # 50261 - Typical performance - not guaranteed values

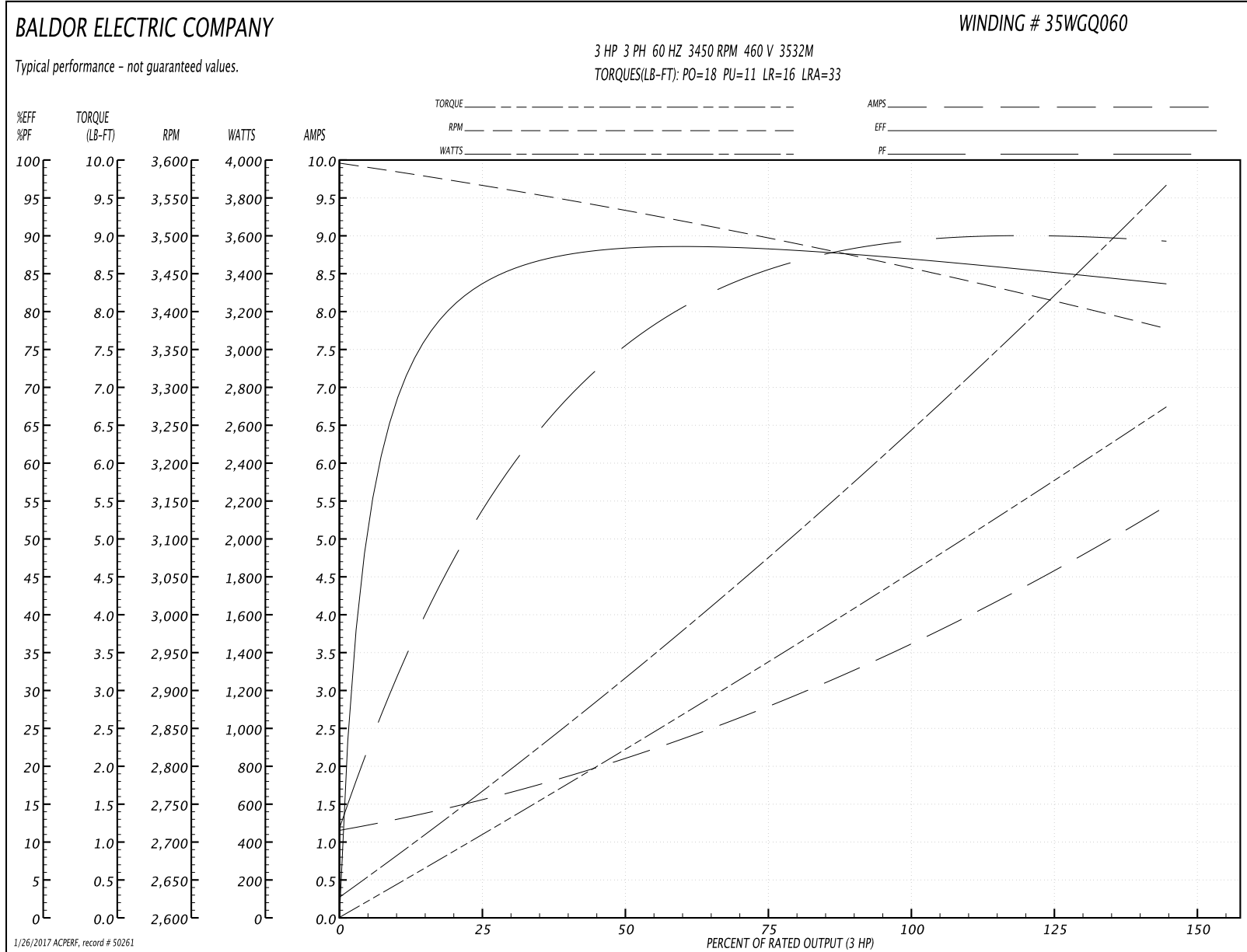
Winding: 35WGQ060-R002	Type: 3532M	Enclosure: TEFC
-------------------------------	--------------------	------------------------

Nameplate Data				460 V, 60 Hz: High Voltage Connection	
Rated Output (HP)	3			Full Load Torque	4.5 LB-FT
Volts	230/460			Start Configuration	direct on line
Full Load Amps	7.2/3.6			Breakdown Torque	18 LB-FT
R.P.M.	3450			Pull-up Torque	11 LB-FT
Hz	60	Phase	3	Locked-rotor Torque	16 LB-FT
NEMA Design Code	B	KVA Code	L	Starting Current	33 A
Service Factor (S.F.)	1.15			No-load Current	1.2 A
NEMA Nom. Eff.	86.5	Power Factor	92	Line-line Res. @ 25°C	4.72 Ω
Rating - Duty	40C AMB-CONT			Temp. Rise @ Rated Load	61°C
S.F. Amps				Temp. Rise @ S.F. Load	76°C

Load Characteristics 460 V, 60 Hz, 3 HP

% of Rated Load	25	50	75	100	125	150	S.F.
Power Factor	62	81	88	92	93	94	93
Efficiency	83.7	87.9	88.2	87.2	85.6	83.5	86.2
Speed	3562	3531	3498	3462	3421	3375	3437
Line amperes	1.5	2.1	2.8	3.6	4.5	5.4	4.1

Performance Graph at 460V, 60Hz, 3.0HP Typical performance - Not guaranteed values



AC Induction Motor Performance Data

Record # 59171 - Typical performance - not guaranteed values

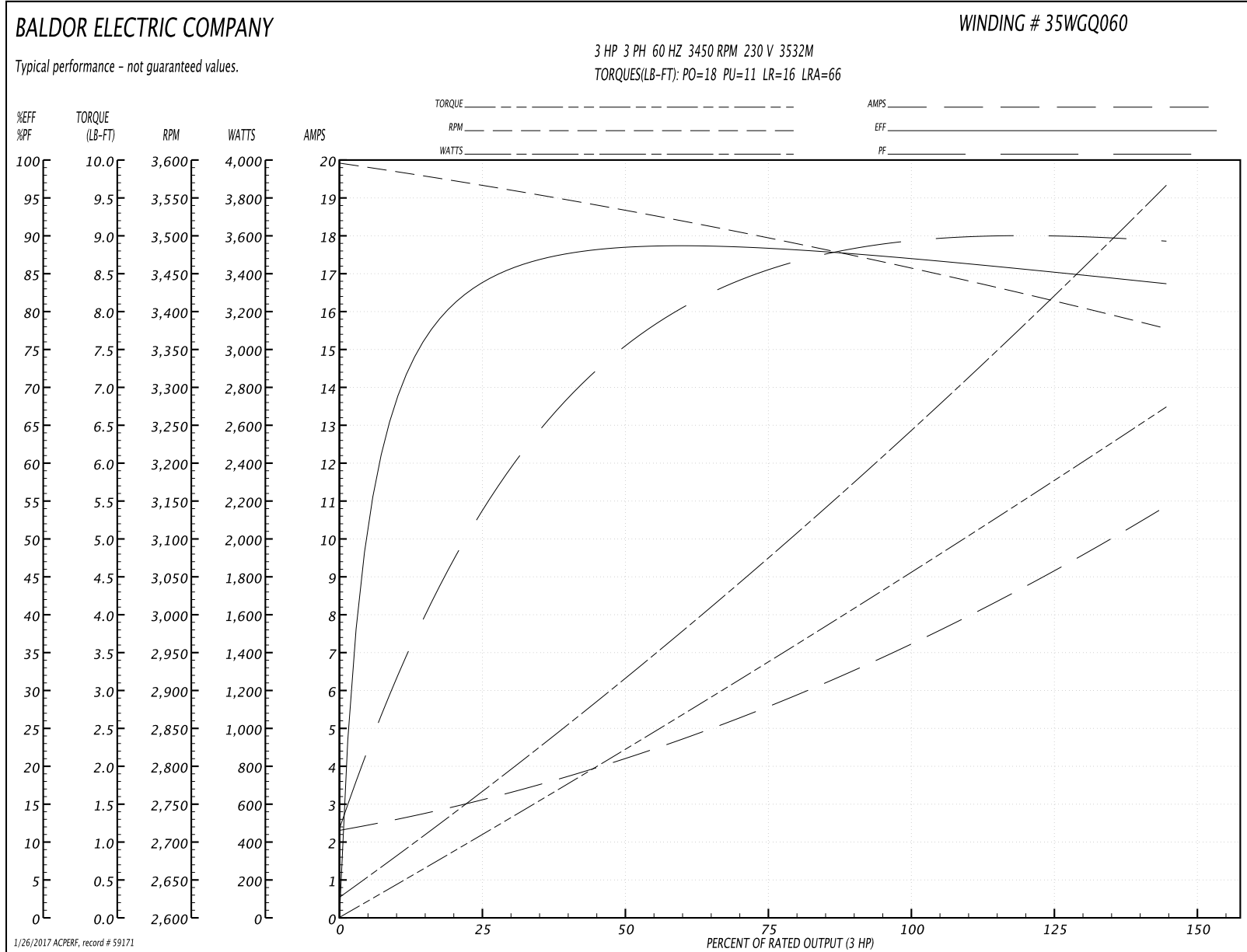
Winding: 35WGQ060-R002	Type: 3532M	Enclosure: TEFC
-------------------------------	--------------------	------------------------

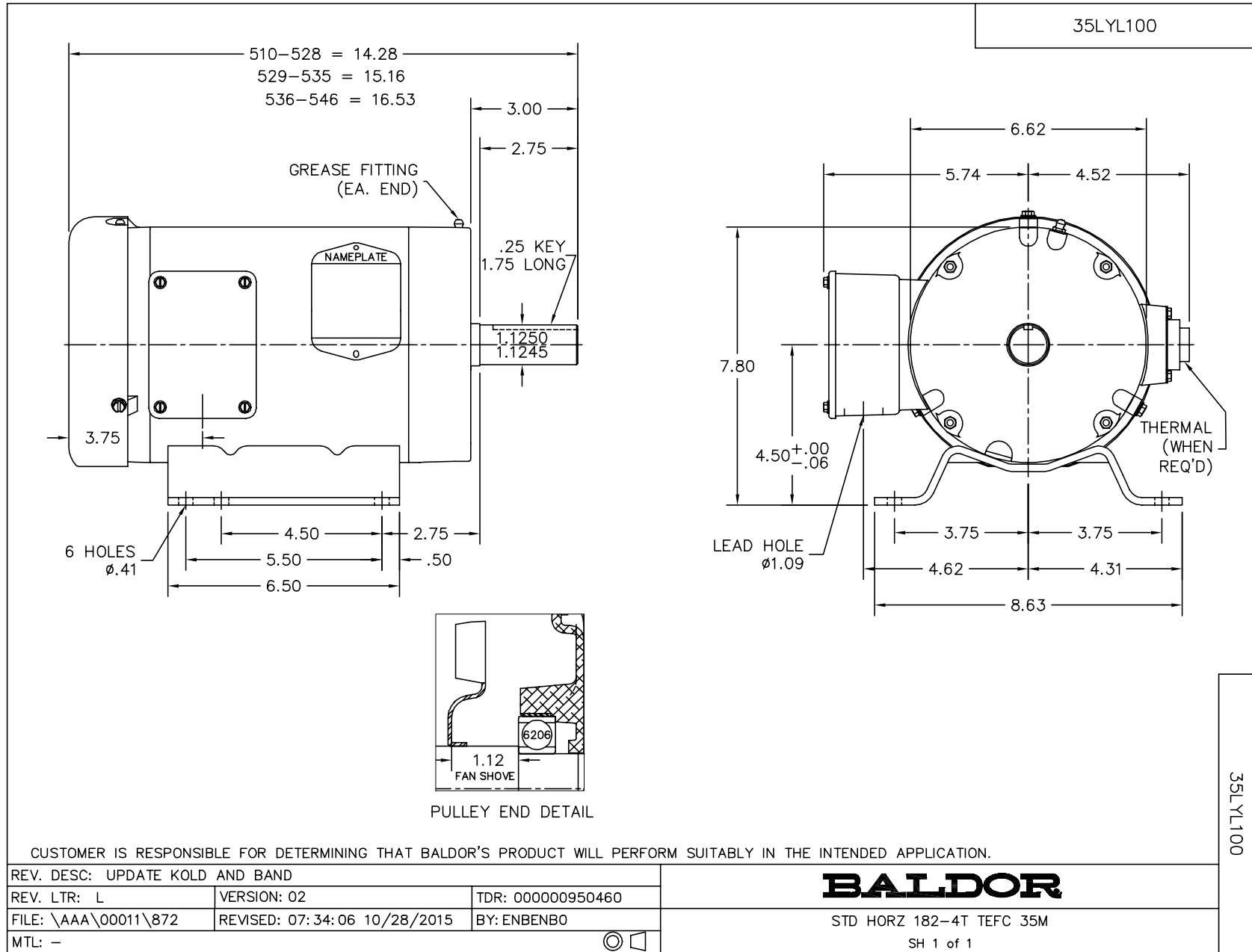
Nameplate Data				230 V, 60 Hz: Low Voltage Connection	
Rated Output (HP)	3			Full Load Torque	4.5 LB-FT
Volts	230/460			Start Configuration	direct on line
Full Load Amps	7.2/3.6			Breakdown Torque	18 LB-FT
R.P.M.	3450			Pull-up Torque	11 LB-FT
Hz	60	Phase	3	Locked-rotor Torque	16 LB-FT
NEMA Design Code	B	KVA Code	L	Starting Current	66 A
Service Factor (S.F.)	1.15			No-load Current	2.4 A
NEMA Nom. Eff.	86.5	Power Factor	92	Line-line Res. @ 25°C	1.17 Ω
Rating - Duty	40C AMB-CONT			Temp. Rise @ Rated Load	61°C
S.F. Amps				Temp. Rise @ S.F. Load	73°C
				Locked-rotor Power Factor	47.1
				Rotor inertia	0.0885 LB-FT ²

Load Characteristics 230 V, 60 Hz, 3 HP

% of Rated Load	25	50	75	100	125	150	S.F.
Power Factor	57	77	85	88	89	90	89
Efficiency	84.1	87.9	88.4	87.2	85.7	83.5	86.3
Speed	3562	3531	3498	3462	3421	3375	3437
Line amperes	3	4.2	5.6	7.2	9	10.8	8.28

Performance Graph at 230V, 60Hz, 3.0HP Typical performance - Not guaranteed values





CD0005

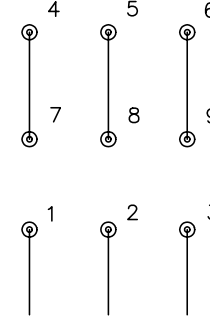


LOW VOLTAGE
(2Y)



LINE

HIGH VOLTAGE
(1Y)



LINE

NOTES:

1. INTERCHANGE ANY TWO LINE LEADS TO REVERSE ROTATION.
2. OPTIONAL THERMOSTATS ARE PROVIDED WHEN SPECIFIED.
3. ACTUAL NUMBER OF INTERNAL PARALLEL CIRCUITS MAY BE A MULTIPLE OF THOSE SHOWN ABOVE.
4. LEAD COLORS ARE OPTIONAL. LEADS MUST ALWAYS BE NUMBERED AS SHOWN.

REV. DESC: REVISE TO SHOW OPTIONAL COLORS

REV. LTR: E BY: JLP REVISED: 01/19/99 10:15 TDR: 0171435

900003

FILE: AAA00005140

MDL: -

MTL: -

BALDOR ELECTRIC Co.

3PH, DV, 9 LEADS

CD0005