

BALDOR® • RELIANCE

Product Information Packet

EM4410T-4

125HP, 1785RPM, 3PH, 60HZ, 444T, TEFC, F1

Part Detail							
Revision:	E	Status:	PRD/A	Change #:		Proprietary:	No
Type:	AC	Prod. Type:	A44076M	Elec. Spec:	A44WG5275	CD Diagram:	416820-008
Enclosure:	TEFC	Mfg Plant:		Mech. Spec:		Layout:	617427-476
Frame:	444T	Mounting:	F1	Poles:	04	Created Date:	09-08-2015
Base:		Rotation:	R	Insulation:	F	Eff. Date:	09-26-2016
Leads:	6#2					Replaced By:	
Literature:		Elec. Diagram:					

Nameplate NP2383L									
CAT.NO.	EM4410T-4			SPEC NO.	A44-0001-5275				
HP	125	AMPS	144	VOLTS	460	DESIGN	B		
FRAME	444T	RPM	1785	HZ	60	AMB	40	SF	1.15
DRIVE END BEARING	90BC03J30X		PHASE	3	DUTY	CONT		INSUL.CLASS	F
OPP D.E. BEARING	90BC03J30X		TYPE	P	ENCL	TEFC	CODE	G	
SER.NO.				POWER FACTOR	85	NEMA-NOM-EFFICIENCY	95.4		
NEMA NOM/CSA QUOTED EFF				MAX CORR KVAR	27	GUARANTEED EFFICIENCY	94.5		
				MOTOR WEIGHT	1669				

Parts List		
Part Number	Description	Quantity
SA306875	SA A44-0001-5275	1.000 EA
RA294149	RA A44-0001-5275	1.000 EA
421948044	LABEL, MYLAR	1.000 EA
000613006PU	N/P (RELEASE QTY 10,000) UL CSA LABEL	1.000 EA
000692000VD	LABEL WARNING	1.000 EA
NP2383L	SUPER-E ,SS, CC, CSA-C US, CSA EEV	1.000 EA
089490099A	G28 BRKT 089490098WCA KB	1.000 EA
415045002A	SLGR	1.000 EA
415072001B	CLAMP	1.000 EA
083199126RA	G28 MOLDED FAN COVER W/BAFFLE ASSEMBLY	1.000 EA
034180014DA	KEY 1/4X1/4X1-3/4 L	1.000 EA
078548001R	FAN KB 234/150 (84) 400	1.000 EA
004824015A	GREASE POLYREX EM	1.160 LB
032018020FK	HHCS 3/4-10X2-1/2 PLTD.	4.000 EA
032018008CK	HHCS 3/8-16X1L PLATED	4.000 EA
032018030DK	HHCS 1/2-13X3-3/4 PLTD.	3.000 EA
415096002A	CPLG 1/8 HEX TYPE	1.000 EA
410700004A	WSHR	1.000 EA
034017014AB	LCKW 3/8 STD. PLATED	4.000 EA
034530072AB	P/NIP 1/8X9"L Threaded both ends	1.000 EA
034692001AB	HCSPP 1/8" PLATED	1.000 EA
089490099A	G28 BRKT 089490098WCA KB	1.000 EA
415045002A	SLGR	1.000 EA
032018020FK	HHCS 3/4-10X2-1/2 PLTD.	4.000 EA

Parts List (continued)		
Part Number	Description	Quantity
032018030DK	HHCS 1/2-13X3-3/4 PLTD.	3.000 EA
702658001A	CONDUIT BOX, E440	1.000 EA
702658002A	+C/BOX CVR, PAINTED 440	1.000 EA
415915007G	GASK, LAC	1.000 FT
406056008A	GASKET, TERBD 440	1.000 EA
418153001A	GASK 440	1.000 EA
032018008DK	HHCS 1/2-13X1 PLATED	4.000 EA
415000103D	T/LUG #4AWG-1/0AWG W/HOLE FOR .250 BOLT	1.000 EA
033512006LB	HHTTS 1/4-20X3/4 PLTD.	8.000 EA
406099000A	PLUG - FAN COVER 320-440	1.000 EA
033512004LB	HHTTS 1/4-20X1/2 PLTD.	1.000 EA
MG1000Y03	MUNSELL 2.53Y 6.70/ 4.60, GLOSS 20,	0.250 GA
033775004EA	DRSCR #6-1/4 304 S.S.	2.000 EA
034180054KA	KEY 7/8X7/8X6-3/4 L	1.000 EA
035000001A	ALFTG 1/8" 1610-BL	1.000 EA
034690002AB	"unbulked" PPLG 1/4" PLTD.	1.000 EA
034690005AB	PPLG 3/4 PLATED	2.000 EA
418151014G	RETAIN RING	1.000 EA
032018004BK	HHCS 5/16-18X1/2 PLATED	3.000 EA
035000001A	ALFTG 1/8" 1610-BL	1.000 EA
034692001AB	HCSP 1/8" PLATED	1.000 EA
415096002A	CPLG 1/8 HEX TYPE	1.000 EA
032018006BK	HHCS 5/16-18X3/4 PLATED	3.000 EA
702623013A	THERMAL BARRIER -- G28 -- BRACKET MTD	1.000 EA

Product Information Packet: EM4410T-4 - 125HP,1785RPM,3PH,60HZ,444T,TEFC,F1

034017013AB	LCKW 5/16 STD. PLATED	3.000 EA
034690002AB	"unbulked" PPLG 1/4" PLTD.	1.000 EA
034530044AB	P/NIP 1/8X5-1/2L GALV.	1.000 EA
032620016LA	SOCKET SET SCREW-449	3.000 EA
000692000FF	N/P	1.000 EA
604797045	STD. 400 FRAME SKID	1.000 EA

Accessories		
Part Number	Description	Multiplier
089490106A	G28 C-FACE BRKT MACH-6318 089490105WCA	P1

REL. S.O.	FRAME	HP	TYPE	PHASE/HERTZ	RPM	VOLTS
	445	125	P	3/60	1785	460
AMPS	DUTY	AMB °C/INSUL.	S.F.	NEMA DESIGN	CODE LETTER	ENCL.
144	CONT	40/F	1.15	B	G	TEFC
E/S	ROTOR	TEST S.O.	TEST DATE	STATOR RES. @25 °C (OHMS BETWEEN LINES)		
0	0	---	---	.0383		

PERFORMANCE

LOAD	HP	AMPERES	RPM	POWER FACTOR %	EFFICIENCY %
NO LOAD	0	44.8	1800	3.97	0
1/4	31.3	61.3	1796	51.1	93.4
2/4	62.5	83.8	1792	73.0	95.5
3/4	93.7	112	1788	81.7	95.8
4/4	125	144	1784	85.3	95.5
5/4	156	178	1780	86.6	95.0

SPEED TORQUE

	RPM	TORQUE % FULL LOAD	TORQUE LB.-FT.	AMPERES
LOCKED ROTOR	0	133	489	892
PULL UP	270	114	420	875
BREAKDOWN	1729	290	1067	500
FULL LOAD	1784	100	368	144

AMPERES SHOWN FOR 460. VOLT CONNECTION. IF OTHER VOLTAGE CONNECTIONS ARE AVAILABLE, THE AMPERES WILL VARY INVERSELY WITH THE RATED VOLTAGE

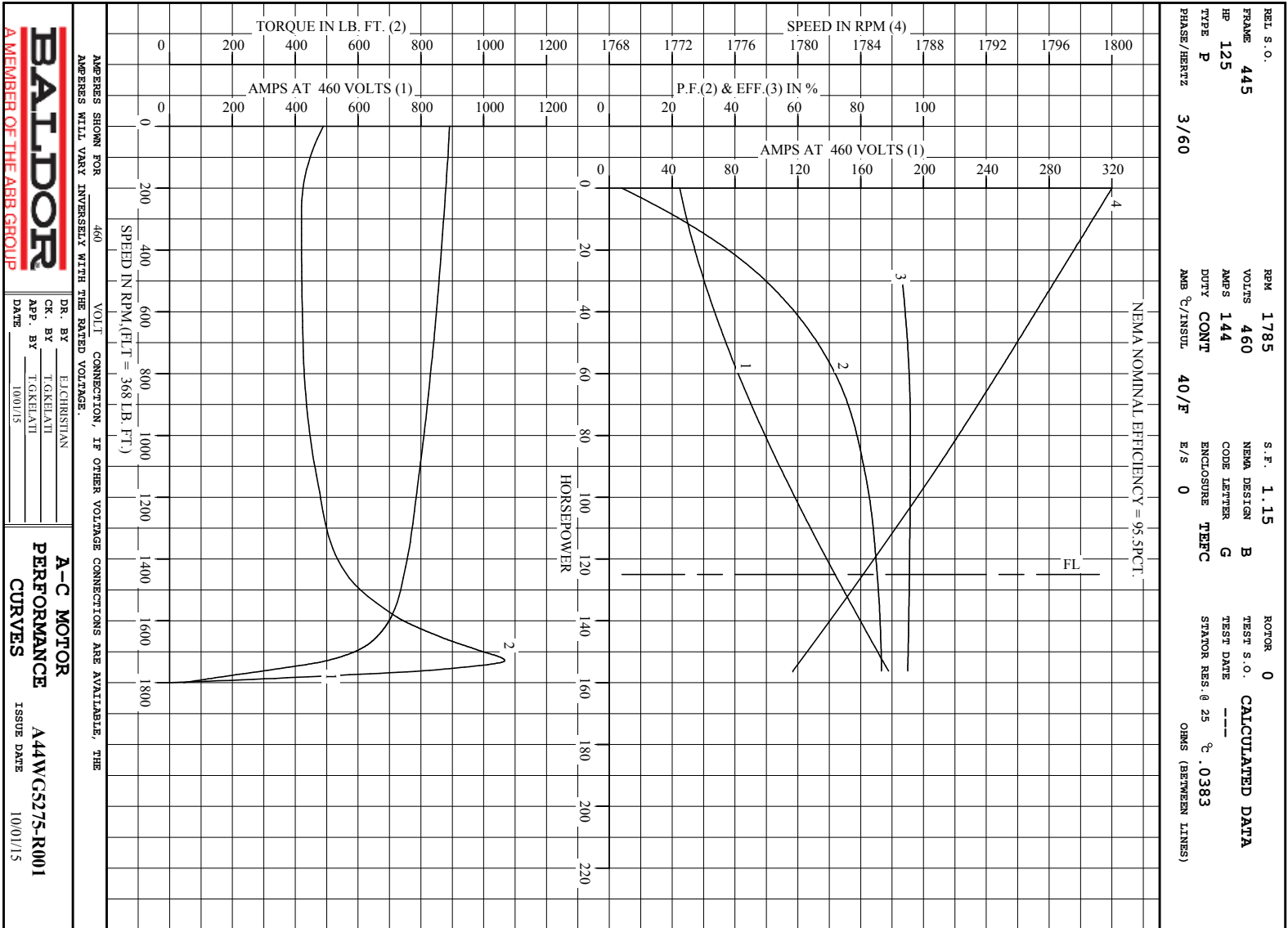
REMARKS: CALCULATED DATA
NEMA NOMINAL EFFICIENCY = 95.5PCT.



DR. BY E.J. CHRISTIAN
CK. BY T.G. KEIANT
APP. BY T.G. KEIANT
DATE 10/01/15

A-C MOTOR
PERFORMANCE DATA
A44WG5275-R001
ISSUE DATE 10/01/15

A MEMBER OF THE ABB GROUP



DUTY MASTER ALTERNATING CURRENT MOTORS
SQUIRREL-CAGE INDUCTION

617427-476

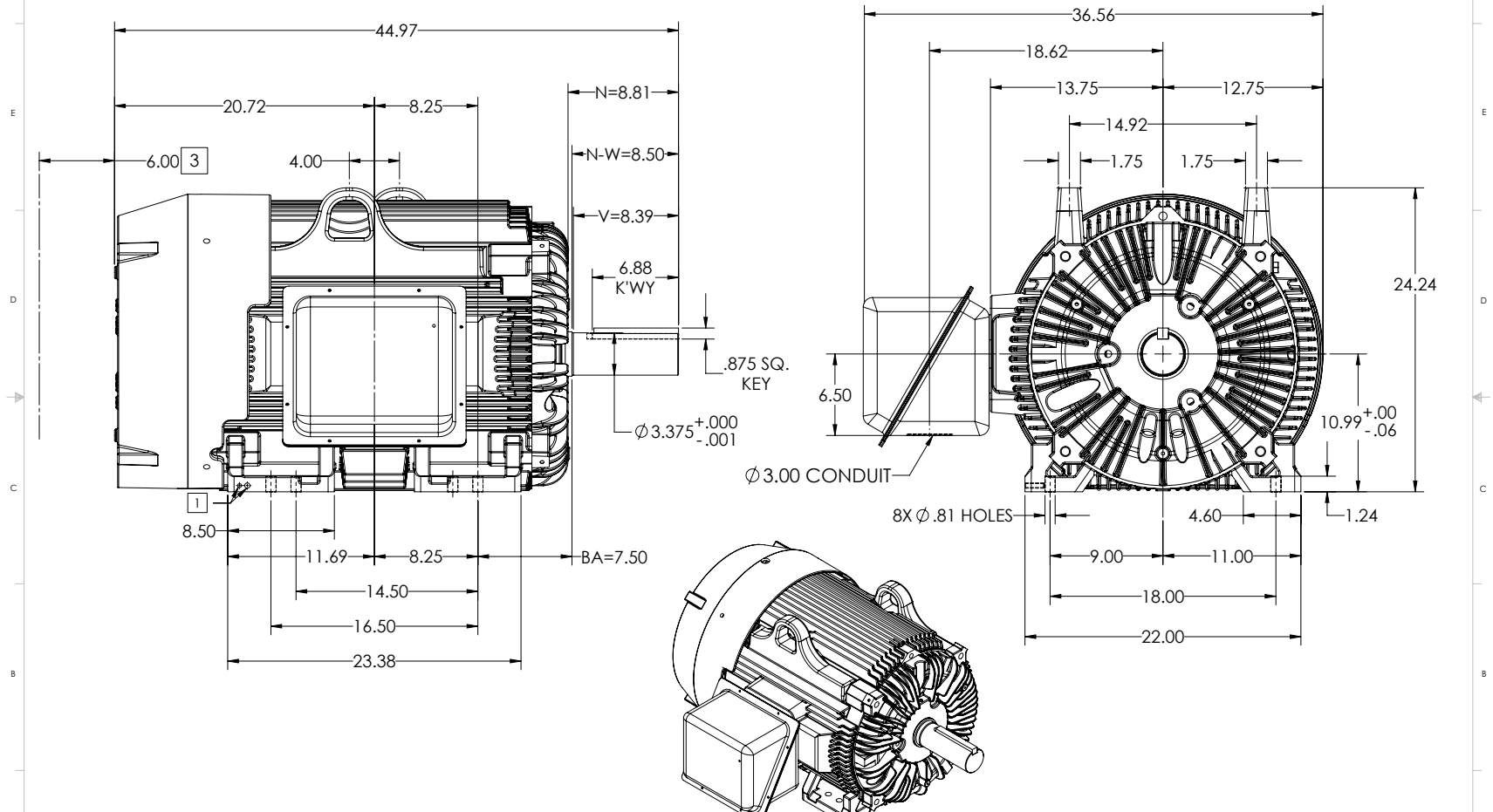
ENCLOSURE: TOTALLY ENCLOSED

MOUNTING: FOOT, F-1 SIDE

FRAME G444T
INCLUDES G445T FRAME MOUNTING HOLES

STEEL MAIN CONDUIT BOX

COOLING: FAN COOLED



- 1 GROUND HOLES QTY 1 1/2-13 TAP; QTY 1 3/8-16 TAP
- 2 MOTOR WEIGHTS MAY VARY BY 15% DEPENDING ON RATING.
- 3 OBSTRUCTION MUST NOT ENCROACH ON AIR INLET

2 WEIGHT (LBS): 2130

DIMENSIONS ARE IN INCHES
CUSTOMER IS RESPONSIBLE FOR DETERMINING THAT MOTOR PERFORMANCE IS SUITABLE IN THE APPLICATION.

SHEET NUMBER
1 OF 1
9LF-L272119

IF MOUNTING CLEARANCE DETAILS ARE REQUIRED, CONSULT FACTORY.
MAXIMUM PERMISSIBLE SHAFT RUNOUT WHEN MEASURED AT END OF
STANDARD SHAFT EXTENSION IS .003" T.I.R. TO 5 INCH DIA.

REV. DESC: NEW DRAWING			
REV: -	VERSION: 00	REVISED: 10-03-28 04/18/2015	TDR: 00000919063
MODEL NO. 617427-476		REF:	
BY: RAGRA	Material:	C	

BALDOR

G445T-444T TEFC FT - SD/CNTR - STEEL C/BOX

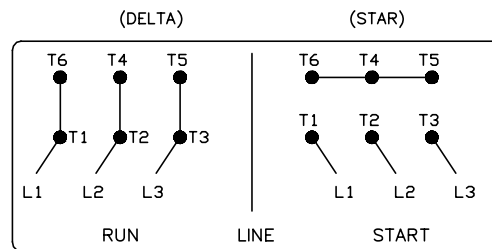
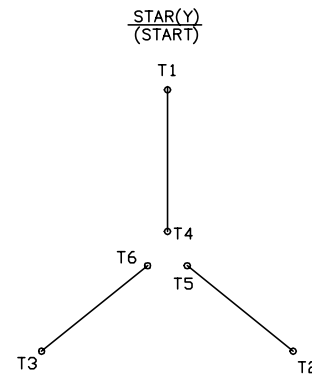
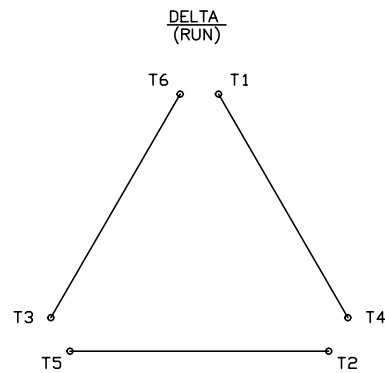
617427-476

416820-008

A-C MOTOR CONNECTION DIAGRAM

STANDARD 6 LEAD

Y START - DELTA RUN



< N. P. 1767-DC >

416820-008

REV. DESC: ADDED T4 TO Y CONNECT DIAGRAM		
REV. LTR: D	VERSION: 04	TDR: 000000847713
FILE: \RAG\00001\808	REVISED: 10: 41: 26 04/08/2014	BY: RAGJSS1
MTL: -	Ⓢ □	



CONNECT DIAGRAM STD 6 LEAD Y START DELTA RUN

SH 1 of 1