

# **BALDOR**® • ***RELIANCE***

## **Product Information Packet**

# **EM7058T**

**20/25HP, 1470/1780RPM, 3PH, 50/60HZ, 284T**

Part Detail							
Revision:	AM	Status:	PRD/A	Change #:		Proprietary:	No
Type:	AC	Prod. Type:	1050M	Elec. Spec:	10WGW717	CD Diagram:	CD0005
Enclosure:	XPFC	Mfg Plant:		Mech. Spec:	10E106	Layout:	10LYE106
Frame:	284T	Mounting:	F1	Poles:	04	Created Date:	
Base:	RG	Rotation:	R	Insulation:	B	Eff. Date:	01-04-2017
Leads:	9#10					Replaced By:	
Literature:		Elec. Diagram:					

Nameplate NP1426XPSLEV	
NO.	[ ] CC 010A
SER.	[ ]
SPEC.	10E106W717G1
CAT.NO.	EM7058T
HP	25//20 T. CODE T3C
VOLTS	230/460//190/380
AMPS	61/30.5//59/29.5
RPM	1780//1470
HZ	60//50 PH 3 CL B
SER.F.	1.00 DES A CODE G
RATING	40C AMB-CONT
FRAME	284T NEMA-NOM-EFF 93.6
USABLE AT 208V	65 PF 82
BLANK	[ ]

Parts List		
Part Number	Description	Quantity
SA013705	SA 10E106W717G1	1.000 EA
RA009901	RA 10E106W717G1	1.000 EA
12CB1001A01	K.O.BOX, MACH X-PROOF, 1.50 NPT HOLE	1.000 EA
10XN3118K16	5/16-18 X 1' GRADE #5, STL, ZINC PLATE	4.000 EA
HW1001A31	LOCKWASHER 5/16, ZINC PLT.591 OD, .319 I	4.000 EA
WD1000B16	T&B CX70TN TERMINAL	1.000 EA
10XN2520K06	1/4-20 X 3/8" HX HD SCREWGRADE 5, ZINC P	1.000 EA
HW1001A25	LOCKWASHER 1/4, ZINC PLT .493 OD, .255 I	1.000 EA
10EP1701A01	FR ENDPLATE, MACH	1.000 EA
HA3050A03	3/8-16 X 2.25" GRADE 8 BOLT	4.000 EA
HW1001A38	LOCKWASHER 3/8, ZINC PLT .688 OD, .382 I	4.000 EA
HW5100A11	W3917-042 WVY WSHR (WB)	1.000 EA
10EP1709A08	PU ENDPLATE, X-PROOF W/LABYRINTH SHAFT G	1.000 EA
HA3050A03	3/8-16 X 2.25" GRADE 8 BOLT	4.000 EA
HW1001A38	LOCKWASHER 3/8, ZINC PLT .688 OD, .382 I	4.000 EA
10XN2520K40	1/4-20 X 2-1/2 HEX HD CAPSCREW, GRADE 5,Z	4.000 EA
HW1001A25	LOCKWASHER 1/4, ZINC PLT .493 OD, .255 I	4.000 EA
10FH1008A01	310 FAN HOUSING X-PROOF MACH.	1.000 EA
10XN3118K12	5/16-18 X .75 GRADE 5, ZINC PLATED	3.000 EA
HW1001A31	LOCKWASHER 5/16, ZINC PLT.591 OD, .319 I	3.000 EA
12CB1501A01	COND.BOX LID, MACH., X-PROOF, 310,312	1.000 EA
10XN3816K20	3/8-16 X 1.25 HEX HD CAP GRADE 5	6.000 EA
HW1001A38	LOCKWASHER 3/8, ZINC PLT .688 OD, .382 I	6.000 EA
HW2501H28	KEY, 1/2 SQ X 3.250	1.000 EA

<b>Parts List (continued)</b>		
<b>Part Number</b>	<b>Description</b>	<b>Quantity</b>
LB1115N	LABEL,LIFTING DEVICE (ON ROLLS)	1.000 EA
LB1073	ALUM XP CAUTION LABEL	1.000 EA
MN416A01	TAG-INSTAL-MAINT no wire (1000/bx) 11/14	1.000 EA
WD4100A03	DE-750 HEYCO PLUG 62MP0750 MICRO PLASTIC	1.000 EA
HW4500A20	1/8NPT SL PIPE PLUG	2.000 EA
MJ1000A02	GREASE, POLYREX EM EXXON (USe 4824-15A)	0.130 LB
HW4500A20	1/8NPT SL PIPE PLUG	2.000 EA
10FN3001A01	EXTERNAL FAN	1.000 EA
HW2500A25	WOODRUFF KEY USA #1008 #BLOW CARBON STEE	1.000 EA
HA6390A01	HOSE CLAMP FOR 3.12 DIA S.S. OR PLATED	1.000 EA
MG1025G05	WILKOFASST, 789.227, MED. GRAY CHAR. MET.	0.125 GA
85XU0407S04	4X1/4 U DRIVE PIN STAINLESS	6.000 EA
LB1119N	WARNING LABEL	1.000 EA
LC0145B01	CONNECTION LABEL	1.000 EA
NP1426XPSLEV	SS XP UL CSA-EEV CC CL-I GP-D	1.000 EA
12PA1000	PACKAGING GROUP PRINT PK1024A06	1.000 EA

**AC Induction Motor Performance Data**

Record # 16188 - Typical performance - not guaranteed values

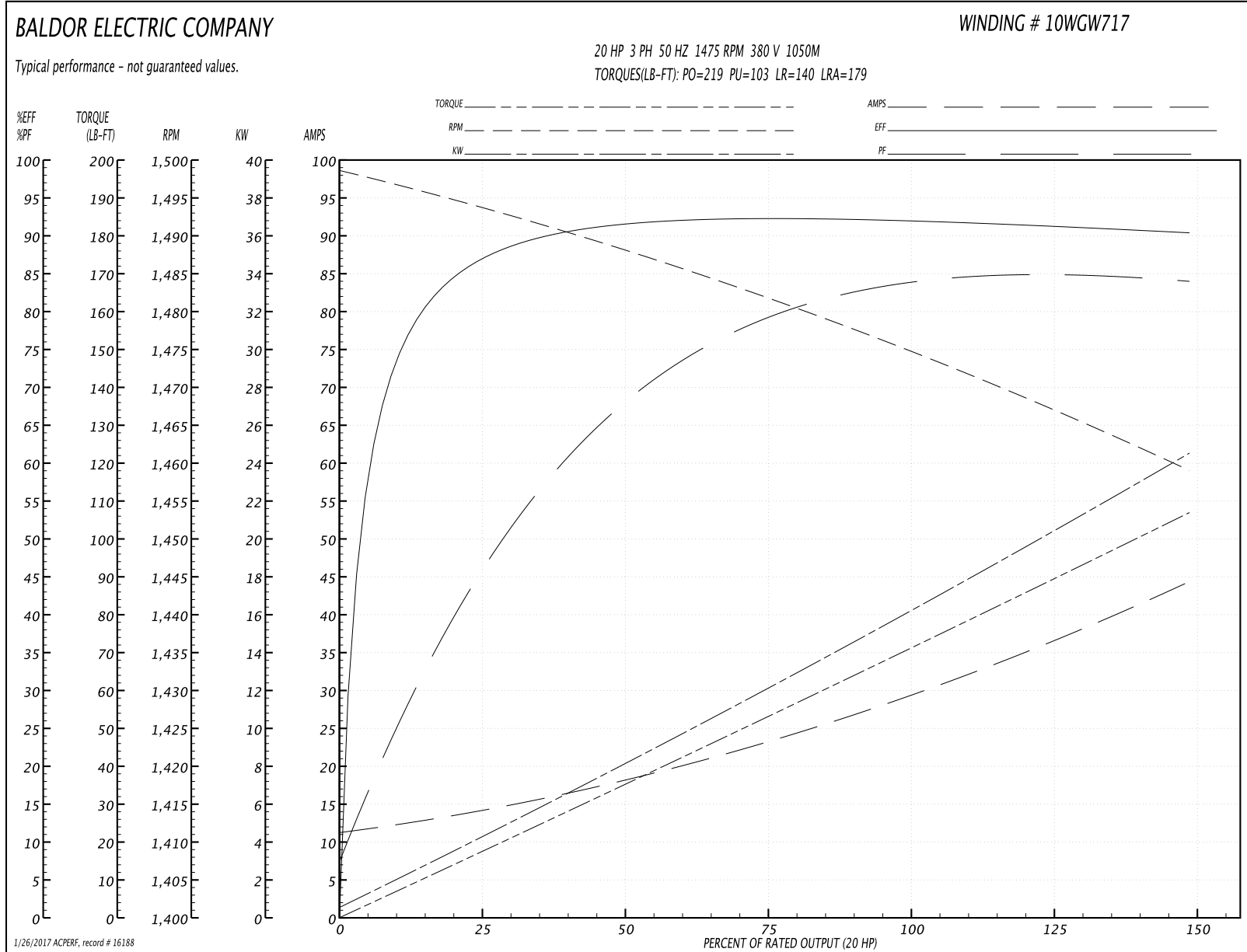
<b>Winding:</b> 10WGW717-R010	<b>Type:</b> 1050M	<b>Enclosure:</b> XPFC
-------------------------------	--------------------	------------------------

Nameplate Data				380 V, 50 Hz: High Voltage Connection	
Rated Output (HP)	25//20			Full Load Torque	71.2 LB-FT
Volts	230/460//190/380			Start Configuration	direct on line
Full Load Amps	61/30.5//59/29.5			Breakdown Torque	219 LB-FT
R.P.M.	1780//1470			Pull-up Torque	103 LB-FT
Hz	60//50	Phase	3	Locked-rotor Torque	140 LB-FT
NEMA Design Code	B	KVA Code	G	Starting Current	179 A
Service Factor (S.F.)	1			No-load Current	11.7 A
NEMA Nom. Eff.	93.6	Power Factor	82	Line-line Res. @ 25°C	0.287 Ω
Rating - Duty	40C AMB-CONT			Temp. Rise @ Rated Load	49°C
S.F. Amps				Temp. Rise @ S.F. Load	60°C
				Locked-rotor Power Factor	37
				Rotor inertia	3.96 LB-FT <sup>2</sup>

Load Characteristics 380 V, 50 Hz, 20 HP

% of Rated Load	25	50	75	100	125	150
Power Factor	49	69	79	83	84	85
Efficiency	86.7	91.5	92.2	92.1	91.4	90.3
Speed	1493	1488	1482	1475	1467	1459
Line amperes	13.6	18	23.5	29.7	36.6	44.1

Performance Graph at 380V, 50Hz, 20.0HP Typical performance - Not guaranteed values



**AC Induction Motor Performance Data**

Record # 53898 - Typical performance - not guaranteed values

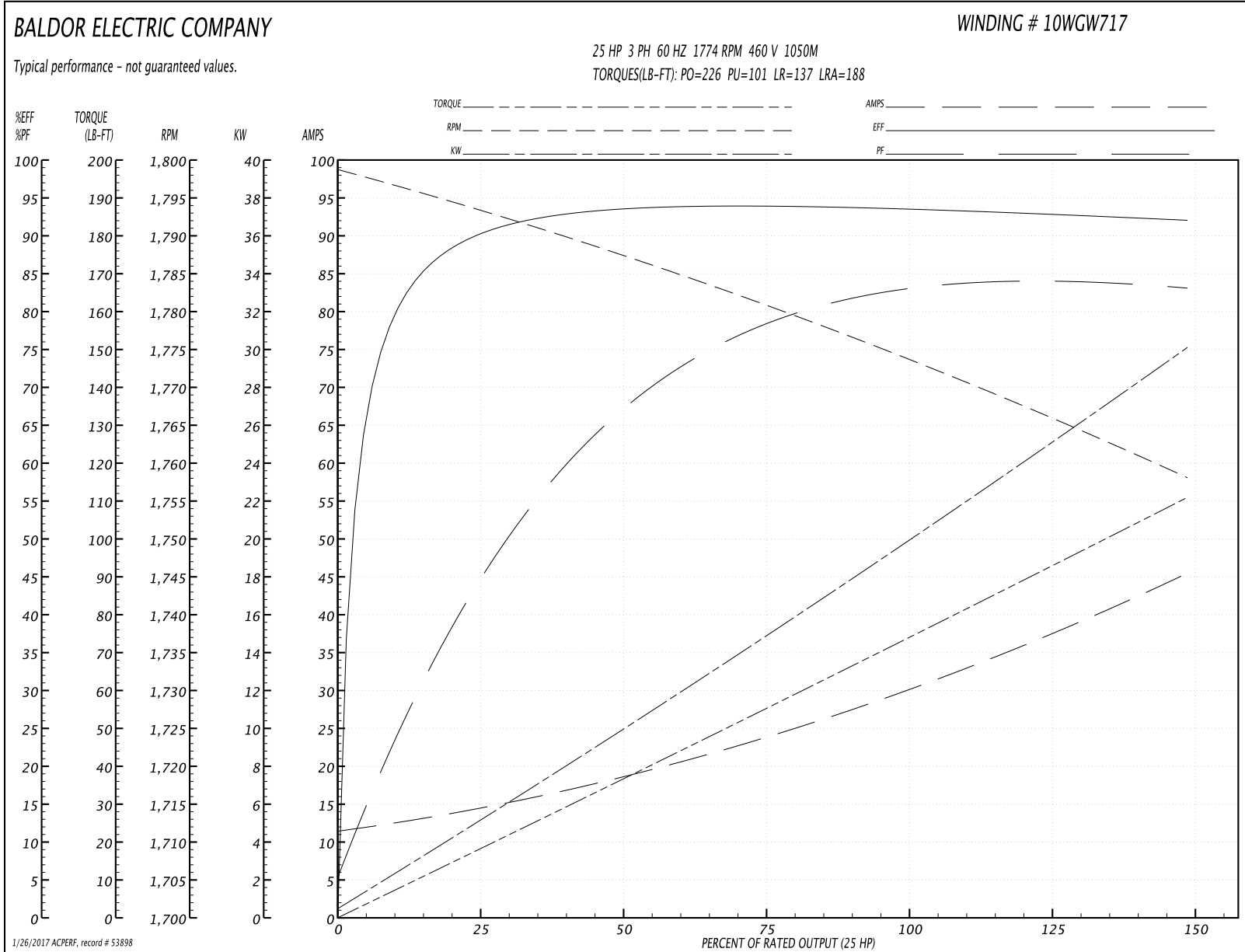
<b>Winding:</b> 10WGW717-R010	<b>Type:</b> 1050M	<b>Enclosure:</b> XPFC
-------------------------------	--------------------	------------------------

Nameplate Data				460 V, 60 Hz: High Voltage Connection	
Rated Output (HP)	25//20			Full Load Torque	74 LB-FT
Volts	230/460//190/380			Start Configuration	direct on line
Full Load Amps	61/30.5//59/29.5			Breakdown Torque	226 LB-FT
R.P.M.	1780//1470			Pull-up Torque	101 LB-FT
Hz	60//50	Phase	3	Locked-rotor Torque	137 LB-FT
NEMA Design Code	B	KVA Code	G	Starting Current	188 A
Service Factor (S.F.)	1			No-load Current	11.9 A
NEMA Nom. Eff.	93.6	Power Factor	82	Line-line Res. @ 25°C	0.294 Ω
Rating - Duty	40C AMB-CONT			Temp. Rise @ Rated Load	51°C
				Locked-rotor Power Factor	33
				Rotor inertia	3.96 LB-FT <sup>2</sup>

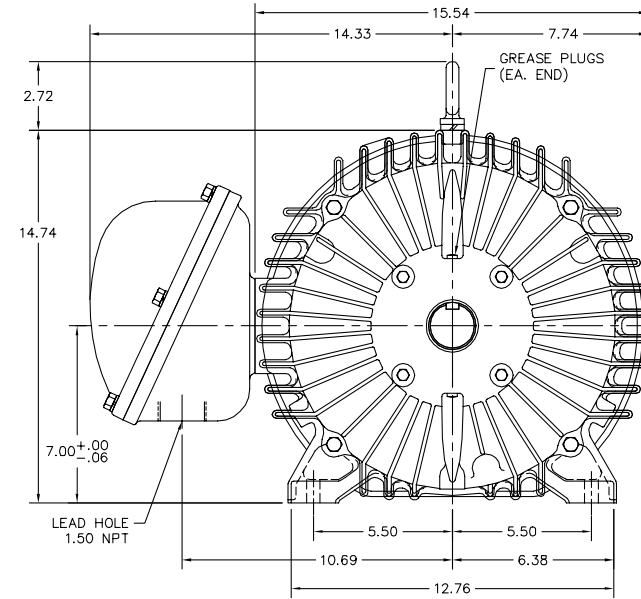
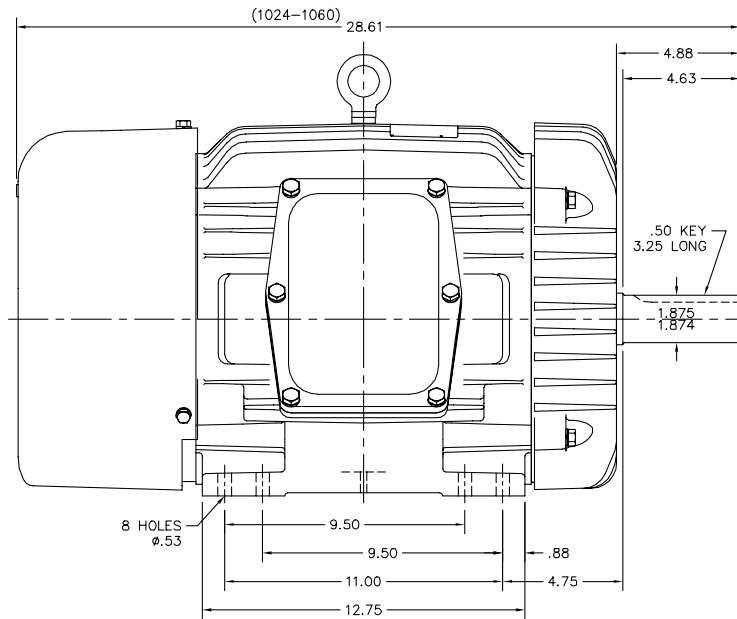
Load Characteristics 460 V, 60 Hz, 25 HP

% of Rated Load	25	50	75	100	125	150
Power Factor	47	69	78	82	84	84
Efficiency	90.2	93.4	93.9	93.6	92.9	92
Speed	1793	1787	1781	1774	1766	1758
Line amperes	13.9	18.4	24.1	30.5	37.5	45.2

Performance Graph at 460V, 60Hz, 25.0HP Typical performance - Not guaranteed values



10LYE106



10LYE106

CUSTOMER IS RESPONSIBLE FOR DETERMINING THAT BALDOR'S PRODUCT WILL PERFORM SUITABLY IN THE INTENDED APPLICATION.

REV. DESC: CHG LD HL TO 1.50 NPT	VERSION: 03	TDR: 00000927404
REV. LTR: L	REVISED: 01:28:52 06/09/2015	BY: ENCARCO
FILE: \AAA\00001\944		
MTL: -		

**BALDOR**

HORZ XPFC 284-6T CL.I GP.D,CL.II GP.F&G  
SH 1 of 1

CD0005

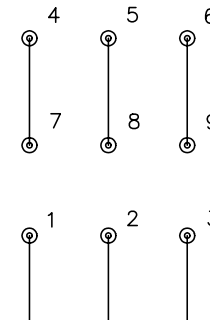


LOW VOLTAGE  
(2Y)



LINE

HIGH VOLTAGE  
(1Y)



LINE

NOTES:

1. INTERCHANGE ANY TWO LINE LEADS TO REVERSE ROTATION.
2. OPTIONAL THERMOSTATS ARE PROVIDED WHEN SPECIFIED.
3. ACTUAL NUMBER OF INTERNAL PARALLEL CIRCUITS MAY BE A MULTIPLE OF THOSE SHOWN ABOVE.
4. LEAD COLORS ARE OPTIONAL. LEADS MUST ALWAYS BE NUMBERED AS SHOWN.

REV. DESC: REVISE TO SHOW OPTIONAL COLORS			
REV. LTR: E	BY: JLP	REVISED: 01/19/99 10:15	TDR: 0171435
900000		FILE: AAA00005140	MDL: -
		MTL: -	

**BALDOR ELECTRIC Co.**

3PH, DV, 9 LEADS

CD0005