

BALDOR® • ***RELIANCE***

Product Information Packet

EMVM3613C

3.7KW,3450RPM,3PH,60HZ,D100LC,3634M,TEFC

Part Detail							
Revision:	C	Status:	PRD/A	Change #:		Proprietary:	No
Type:	AC	Prod. Type:	3634M	Elec. Spec:	36WGT202	CD Diagram:	CD0005
Enclosure:	TEFC	Mfg Plant:		Mech. Spec:	36H178	Layout:	36LYH178
Frame:	D100LC	Mounting:	B14	Poles:	02	Created Date:	05-07-2015
Base:	N	Rotation:	R	Insulation:	F	Eff. Date:	08-31-2016
Leads:	9#16					Replaced By:	
Literature:		Elec. Diagram:					

Nameplate NP3389L					
CAT.NO.	EMVM3613C				
SPEC.	36H178T202G1				
IEC FRAME	D100LC	KW	3.7KW		
VOLTS	230/460				
AMP	11.2/5.6				
RPM	3450	ENCL	TEFC		
HZ	60	PH	3	CL	F
SER.F.	1.15	DES	B	CODE	G
NEMA-NOM-EFF	88.5	I.P.	54		
RATING	40C AMB-CONT				
CC	010A	USABLE AT 208V	12.4		
DE	6206	ODE	6205		
SER. #					

Parts List		
Part Number	Description	Quantity
SA301016	SA 36H178T202G1	1.000 EA
RA288085	RA 36H178T202G1	1.000 EA
36FN3000C01	EXFN, PLASTIC, 5.25 OD, .912 ID	1.000 EA
36CB3004	36 CB CASTING W/1.09 DIA LEAD HOLE @ 6:0	1.000 EA
36GS1000SP	GASKET-CONDUIT BOX, .06 THICK #SV-330 LE	1.000 EA
51XB1016A08	10-16X 1/2HXWSSLD SERTYB	2.000 EA
11XW1032G06	10-32 X .38, TAPTITE II, HEX WSHR SLTD U	1.000 EA
HW3001B01	BRASS CUP WASHER, FOR #8 SCREW	1.000 EA
36FE3104A01	FREP MACH ASSEMBLY FOR ROUTING	1.000 EA
HW4500A01	1641B(ALEMITE)400 UNIV, GREASE FITT	1.000 EA
HW5100A05	WVY WSHR F/205 & 304 BRGS	1.000 EA
36EP1301A55	SPL PU ENDPLATE D110C-D112C W/SEAL	1.000 EA
HW4500A01	1641B(ALEMITE)400 UNIV, GREASE FITT	1.000 EA
HW4600B50SP	SEAL 1.156 X 1.874 X 0.250 SINGLE LIP DB	1.000 EA
10XN2520A24	1/4-20X 1 1/2 HEX HD X	4.000 EA
36FH4009A102	IEC FH GREASER PRIMED	1.000 EA
51XW1032A06	10-32 X .38, TAPTITE II, HEX WSHR SLTD S	3.000 EA
36CB4516	36 LIPPED CB LID	1.000 EA
37GS1001SP	GASKET, CONDUIT BOX LID, .06 THICK LEXID	1.000 EA
51XW0832A07	8-32 X .44, TAPTITE II, HEX WSHR SLTD SE	4.000 EA
HW2505A14	KEY, 8 X 7 MM 1.50 INCHES	1.000 EA
MJ5001A27	32220KN GRAY SEALER *MIN BUY 4 QTS=1GAL	0.001 QT
85XU0407S04	4X1/4 U DRIVE PIN STAINLESS	2.000 EA
MJ1000A02	GREASE, POLYREX EM EXXON (USe 4824-15A)	0.050 LB

Parts List (continued)		
Part Number	Description	Quantity
51XB1214A16	12-14X1.00 HXWSSLD SERTYB	1.000 EA
MG1000Y03	MUNSELL 2.53Y 6.70/ 4.60, GLOSS 20,	0.022 GA
HA3101A25	THRUBOLT 1/4-20 X 11.000 OHIO ROD	4.000 EA
LB1119N	WARNING LABEL	1.000 EA
LC0005	CONN.DIA.,TY M,9-LD,DUAL VOLT,REVERSING	1.000 EA
NP3389L	SS IEC SUPER E UL CSA-EEV NEMA PREMIUM	1.000 EA
36PA1001	PKG GRP, PRINT PK1017A06	1.000 EA
PK3082	STYROFOAM CRADLE	1.000 EA
MN416A01	TAG-INSTAL-MAINT no wire (1000/bx) 11/14	1.000 EA

AC Induction Motor Performance Data

Record # 57404 - Typical performance - not guaranteed values

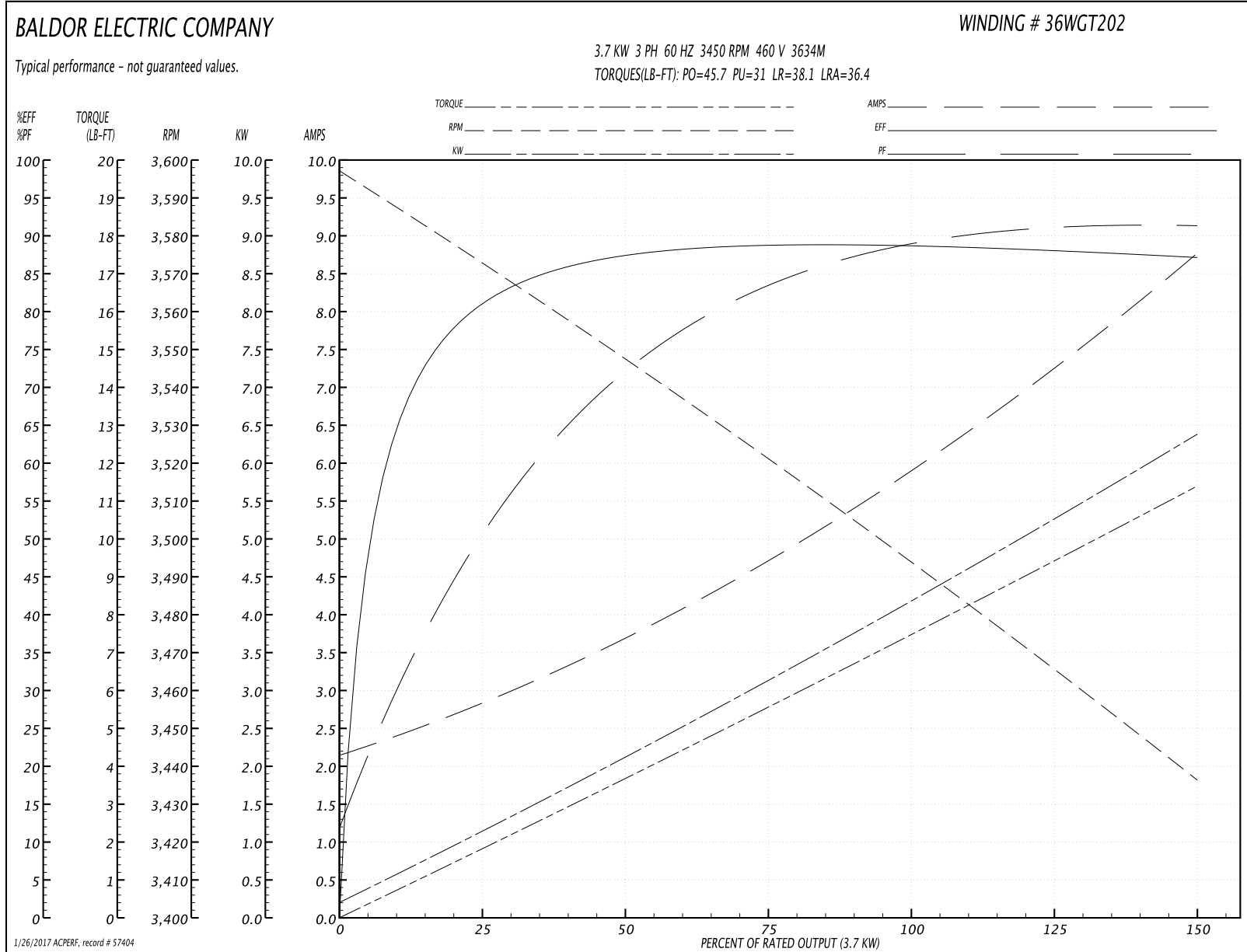
Winding: 36WGT202-R012	Type: 3634M	Enclosure: TEFC
-------------------------------	--------------------	------------------------

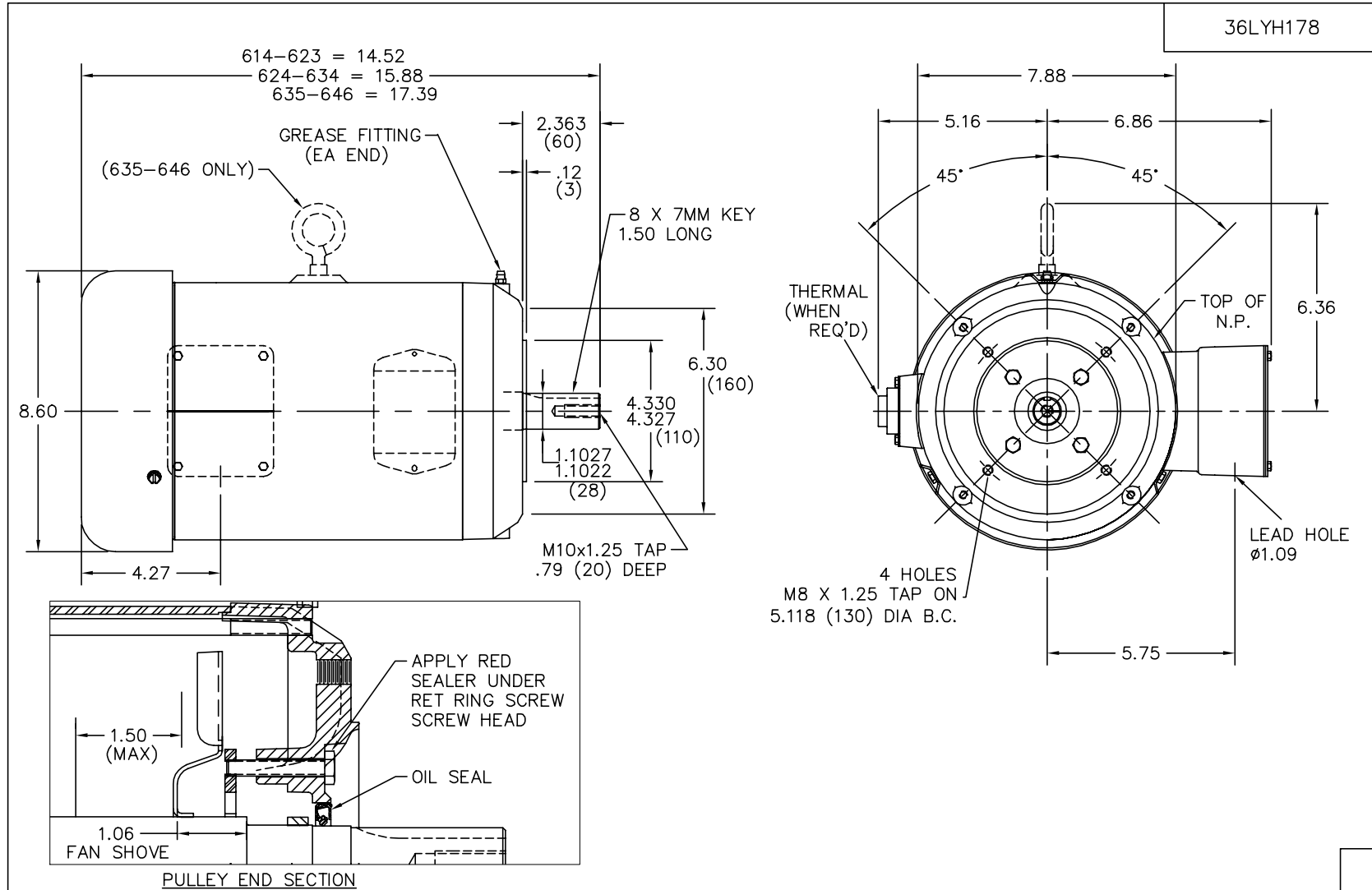
Nameplate Data				460 V, 60 Hz: High Voltage Connection	
Rated Output (KW)	3.7			Full Load Torque	7.54 LB-FT
Volts	230/460			Start Configuration	direct on line
Full Load Amps	11.2/5.6			Breakdown Torque	45.7 LB-FT
R.P.M.	3450			Pull-up Torque	31 LB-FT
Hz	60	Phase	3	Locked-rotor Torque	38.1 LB-FT
NEMA Design Code	B	KVA Code	G	Starting Current	36.4 A
Service Factor (S.F.)	1.15			No-load Current	2.23 A
NEMA Nom. Eff.	88.5	Power Factor	93	Line-line Res. @ 25°C	1.8592 Ω
Rating - Duty	40C AMB-CONT			Temp. Rise @ Rated Load	65°C
S.F. Amps				Temp. Rise @ S.F. Load	78°C

Load Characteristics 460 V, 60 Hz, 3.7 KW

% of Rated Load	25	50	75	100	125	150	S.F.
Power Factor	53	74	83	88	90	92	89
Efficiency	81	87.4	88.8	88.8	88.1	87.1	88.4
Speed	3571.6	3546.9	3521.5	3493.5	3464.6	3436.2	3476
Line amperes	2.74	3.63	4.75	6	7.36	8.7	6.82

Performance Graph at 460V, 60Hz, 3.7KW Typical performance - Not guaranteed values





CUSTOMER IS RESPONSIBLE FOR DETERMINING THAT MOTOR PERFORMANCE IS SUITABLE IN THE APPLICATION.

REV. DESC: 36EP3104A01 WAS 36EP3101A01, 36FH4009A102 WAS A03		
REV. LTR: E	VERSION: 01	TDR: 000000381957
8L1H179C	FILE: \AAA\00009\303	REVISED: 06:31:21 11/23/2005
	MTL: -	BY: ENCHRCO

BALDOR ELECTRIC Co.
STD VERT IEC D100LC-D112MC TEFC 36M B14 MTG W/SEAL

36LYH178

CD0005



LOW VOLTAGE
(2Y)



LINE

HIGH VOLTAGE
(1Y)



LINE

NOTES:

1. INTERCHANGE ANY TWO LINE LEADS TO REVERSE ROTATION.
2. OPTIONAL THERMOSTATS ARE PROVIDED WHEN SPECIFIED.
3. ACTUAL NUMBER OF INTERNAL PARALLEL CIRCUITS MAY BE A MULTIPLE OF THOSE SHOWN ABOVE.
4. LEAD COLORS ARE OPTIONAL. LEADS MUST ALWAYS BE NUMBERED AS SHOWN.

REV. DESC: REVISE TO SHOW OPTIONAL COLORS			
REV. LTR: E	BY: JLP	REVISED: 01/19/99 10:15	TDR: 0171435
900003		FILE: AAA00005140	MDL: -
		MTL: -	

BALDOR ELECTRIC Co.

3PH, DV, 9 LEADS

CD0005