

BALDOR® • ***RELIANCE***

Product Information Packet

FDL3732M

7.5HP, 1730RPM, 1PH, 60HZ, 213, 3740LC, TEFC, F

Part Detail							
Revision:	F	Status:	PRD/A	Change #:		Proprietary:	No
Type:	AC	Prod. Type:	3740LC	Elec. Spec:	37WGT879	CD Diagram:	CD0152
Enclosure:	TEFC	Mfg Plant:		Mech. Spec:	37N373	Layout:	37LYN373
Frame:	213	Mounting:	F1	Poles:	04	Created Date:	12-11-2013
Base:	RG	Rotation:	R	Insulation:	F	Eff. Date:	10-13-2015
Leads:	2#10 A PH,3#14 B&J					Replaced By:	
Literature:		Elec. Diagram:					

Nameplate NP1280L											
CAT.NO.	FDL3732M										
SPEC.	37N373T879G1										
HP	7.5										
VOLTS	230										
AMP	30										
RPM	1730										
FRAME	213				HZ	60			PH	1	
SER.F.	1.00				CODE	H		DES	L	CL	F
NEMA-NOM-EFF	84				PF	97					
RATING	40C AMB-CONT										
CC								USABLE AT 208V			
DE	6307				ODE	6206					
ENCL	TEFC				SN						

Parts List		
Part Number	Description	Quantity
SA274237	SA 37N373T879G1	1.000 EA
RA260824	RA 37N373T879G1	1.000 EA
OC3050F09SP	CYL OIL CAP 50MFD/370V	1.000 EA
OC3040F09SP	CYL OIL CAP 40MFD/370V	1.000 EA
TPLED1024SP	THERMAL 1PH 1.5 MAN REF LED945 TDR #5817	1.000 EA
EC1189C06SP	ELEC CAP, 189-227 MFD, 250V, 2.06D X 4.	2.000 EA
EC1161C06SP	ELEC CAP, 161-193 MFD, 250V, 2.06D X 4.	2.000 EA
37FN3002A01SP	EXFN, PLASTIC, 9.00 OD, 1.155 ID	1.000 EA
HW3200A01	3/8-16X3/4 I-BLT WELDED F/S	1.000 EA
37CB3804A04	CAPAC BOX MACH	1.000 EA
37GS3015	GASKET, CAPAC BOX	1.000 EA
51XW2520A12	.25-20 X .75, TAPTITE II, HEX WSHR SLTD	4.000 EA
37CB4509	CAPAC BOX LID, STAMPED	1.000 EA
37GS3016	GASKET, CAPAC BOX LID	1.000 EA
51XW0832A07	8-32 X .44, TAPTITE II, HEX WSHR SLTD SE	6.000 EA
HA6003A47	CAPAC CLAMP	1.000 EA
HA6003A45	CAPAC CLAMP - CLIP (WHITE ZINC PLATED)	2.000 EA
51XB1016A07	10-16 X 7/16 HXWSSLD SERTYB	4.000 EA
HA2001A09	SPACER, .218 ID X .937 LG	2.000 EA
RM1015	BOOT FOR MANUAL THERMALS	1.000 EA
51XN1032A28	10-32 X 1 3/4 HX WS SL SR	2.000 EA
XY1032A02	10-32 HEX NUT DIRECTIONAL SERRATION	2.000 EA
HW1000A10	#10 FLAT WASHER (SAE)	2.000 EA
11XW1032G06	10-32 X .38, TAPTITE II, HEX WSHR SLTD U	1.000 EA

Parts List (continued)		
Part Number	Description	Quantity
HW3001B01	BRASS CUP WASHER, FOR #8 SCREW	1.000 EA
37EP3101A04	FR ENDPLATE, MACH	1.000 EA
13XF0832A08	8-32 X.50 PAN HD,SLTD, TYPE F SCREW, ZIN	2.000 EA
HW5100A06	W2420-025 WVY WSHR (WB)	1.000 EA
37PE3100A42	37 PUEP ASSEMBLY FOR SEAL	1.000 EA
HW4600B51	SEAL 1.375 X 2.125 X 0.313 SINGLE LIP DB	1.000 EA
XY3118A12	5/16-18 HEX NUT DIRECTIONAL SERRATION	4.000 EA
07FH4007A33	IEC FAN CVR W/NOTCH FOR 37CB3804 CAPAC B	1.000 EA
51XW1032A06	10-32 X .38, TAPTITE II, HEX WSHR SLTD S	3.000 EA
51XB1214A20	12-14X1.25 HXWSSLD SERTYB	1.000 EA
HA1005A02	SLINGER, OD 2.00, ID 1.14, 206 BRG,	1.000 EA
HW4600B33	V-RING SLINGER 1.375 X 1.890 X .35 VITON	1.000 EA
HW2501E18	KEY, 1/4 SQ X 2.000	1.000 EA
HA7000A02	KEY RETAINER RING, 1 1/8 DIA, 1 3/8 DIA	1.000 EA
85XU0407S04	4X1/4 U DRIVE PIN STAINLESS	2.000 EA
LB1115N	LABEL,LIFTING DEVICE (ON ROLLS)	1.000 EA
LB1087	LABEL,MANUAL RESET (ROLL LABEL)	1.000 EA
MJ5001A27	32220KN GRAY SEALER *MIN BUY 4 QTS=1GAL	0.001 QT
NS2539	INSULATOR FOR 37 FRAMESWITCH (MH1011A10)	1.000 EA
MJ1000A02	GREASE, POLYREX EM EXXON (USe 4824-15A)	0.050 LB
MG1025C02	WILKOFASST SG, 787.105, TAN	0.028 GA
HA3104A17	5/16-18X13.250 T-BLT/OHIO	4.000 EA
TP5059	GENERIC THERMAL KIT	1.000 EA
SP5172A03	37 TYPE L TORQ STAT SWITCH LEAD ASSEMBLY	1.000 EA

Product Information Packet: FDL3732M - 7.5HP,1730RPM,1PH,60HZ,213,3740LC,TEFC,F

LD5000A23	LEAD ASSY, ML1400DF10 W/#10 RING 12"	1.000 EA
WD1000A03	41531 AMP FLG.TERM,4M/REEL(2.5MIL)	12.000 EA
LC0002	CONNECTION LABEL	1.000 EA
LB1119N	WARNING LABEL	1.000 EA
MN416A01	TAG-INSTAL-MAINT no wire (1000/bx) 11/14	1.000 EA
NP1280L	ALUM FARM DUTY UL CSA CC THERMAL	1.000 EA
G0PA1000	PKG GRP, PRINT PK1026A06	1.000 EA

Accessories		
Part Number	Description	Multiplier
37-3301	C FACE KIT	P1

AC Induction Motor Performance Data

Record # 18791 - Typical performance - not guaranteed values

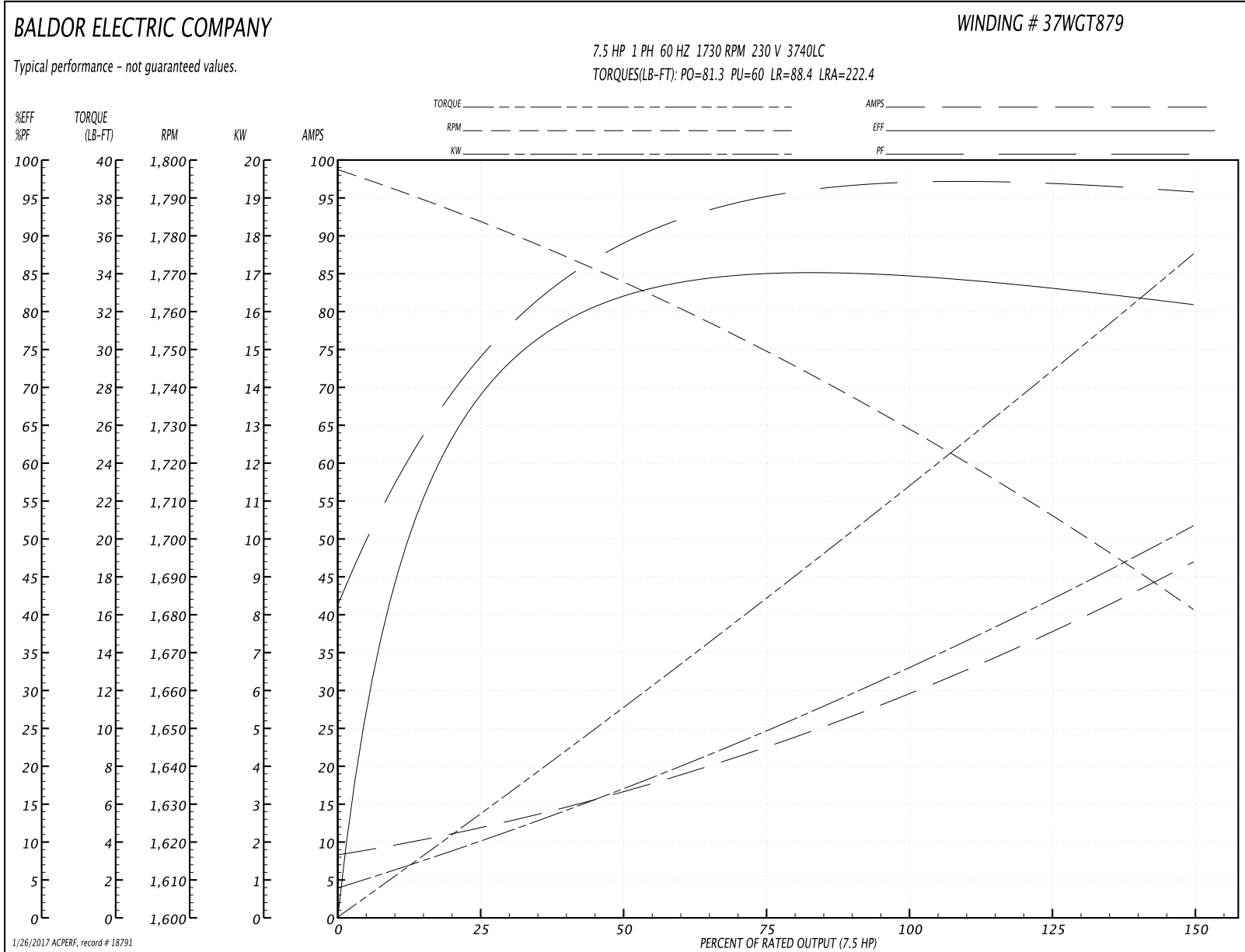
Winding: 37WGT879-R001	Type: 3740LC	Enclosure: TEFC
-------------------------------	---------------------	------------------------

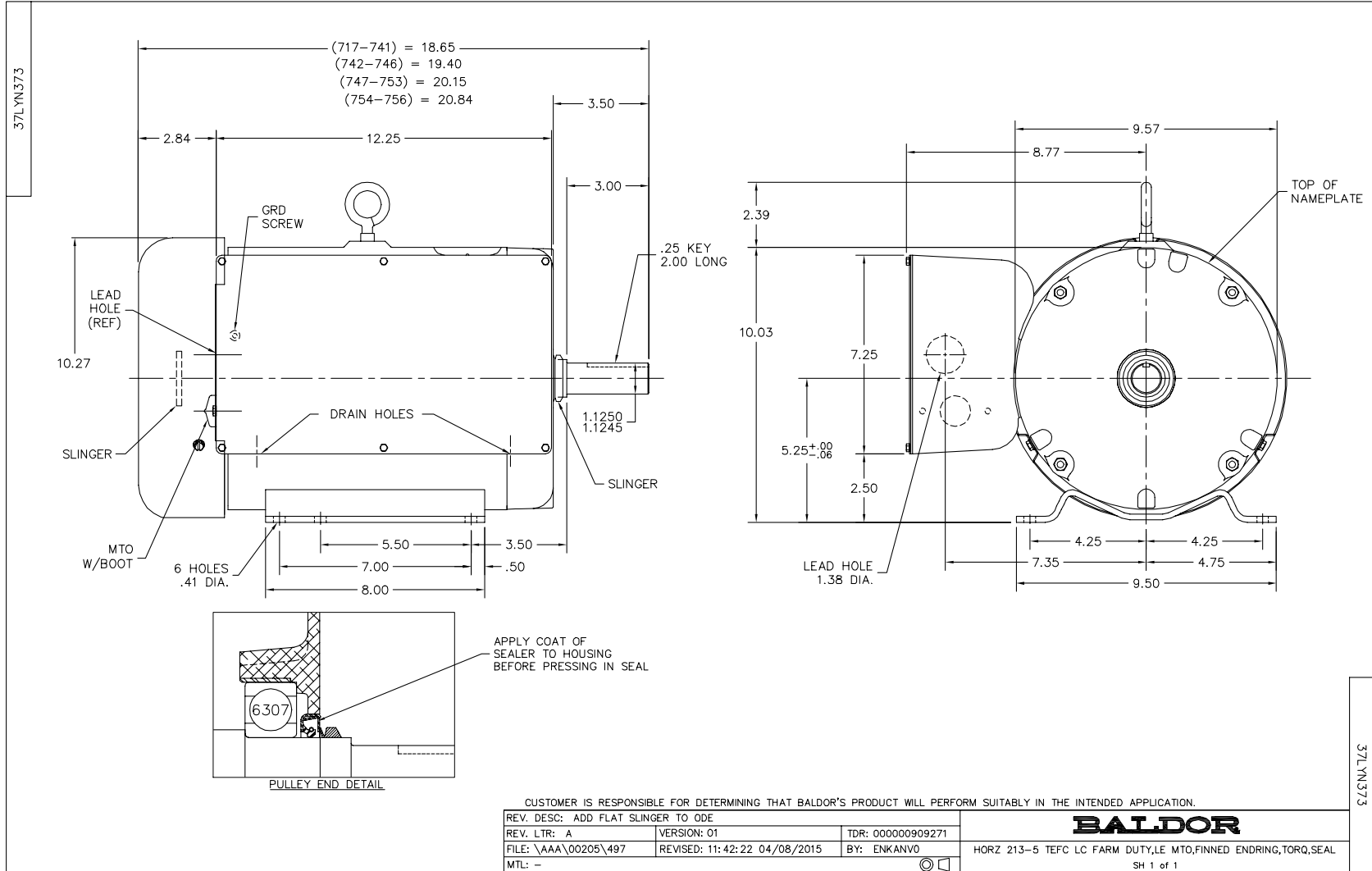
Nameplate Data				230 V, 60 Hz: Single Voltage Motor	
Rated Output (HP)	7.5			Full Load Torque	22.6 LB-FT
Volts	230			Start Configuration	direct on line
Full Load Amps	30			Breakdown Torque	81.3 LB-FT
R.P.M.	1730			Pull-up Torque	60 LB-FT
Hz	60	Phase	1	Locked-rotor Torque	88.4 LB-FT
NEMA Design Code	L	KVA Code	H	Starting Current	222.4 A
Service Factor (S.F.)	1			No-load Current	8.67 A
NEMA Nom. Eff.	84	Power Factor	97	Line-line Res. @ 25°C	0.199 Ω A Ph 0.516 Ω B Ph
Rating - Duty	40C AMB-CONT			Temp. Rise @ Rated Load	87°C

Load Characteristics 230 V, 60 Hz, 7.5 HP

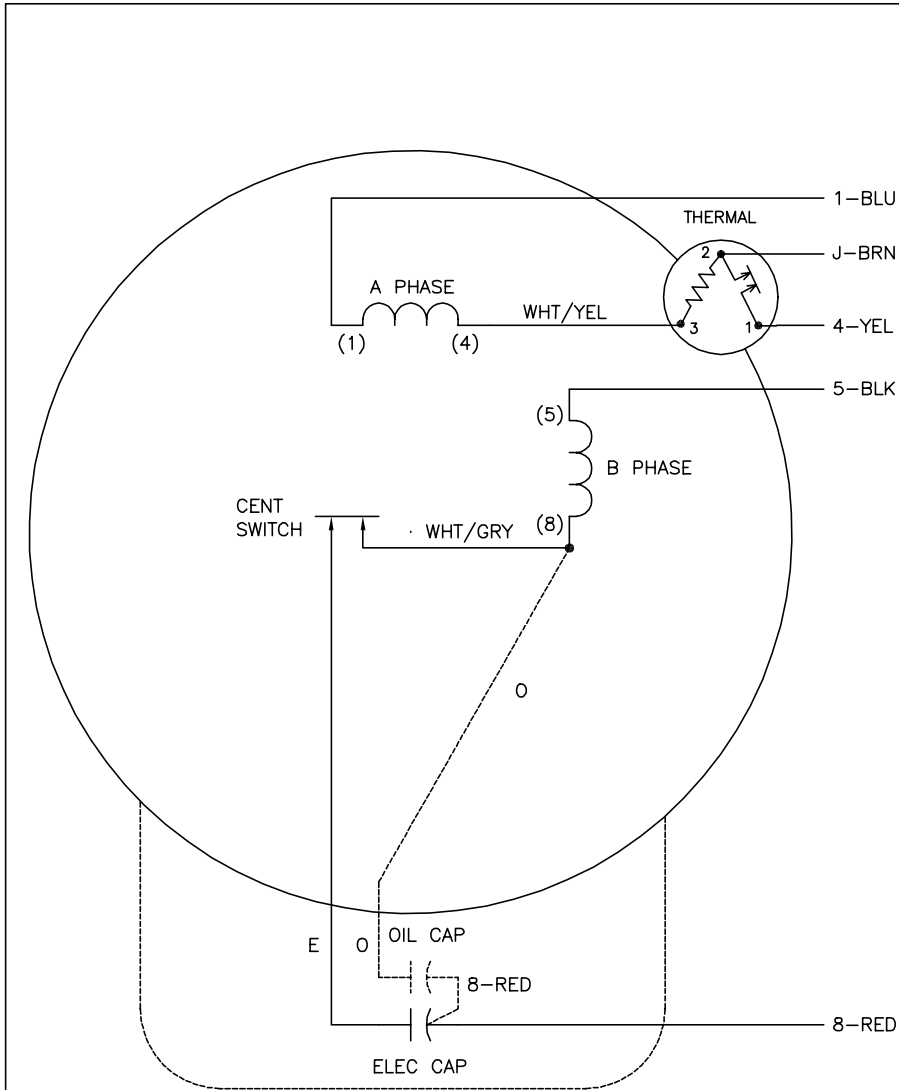
% of Rated Load	25	50	75	100	125	150
Power Factor	79	90	94	96	96	96
Efficiency	68	81.1	84.7	85.2	83.8	80.6
Speed	1782	1767	1750	1731	1708	1680
Line amperes	11.3	16.5	22.6	29.6	37.5	46.9

Performance Graph at 230V, 60Hz, 7.5HP Typical performance - Not guaranteed values





CD0152



	LINE A	LINE B	JOIN
STD	1,8	4	J,5
OPP	1,5	4	J,8

NOTES:

1. STANDARD ROTATION IS CCW FACING END OPPOSITE SHAFT EXTENSION.
2. MULTIPLE CAPACITORS ARE CONNECTED IN PARALLEL UNLESS OTHERWISE SPECIFIED.
3. OPTIONAL OIL CAPACITOR IS PROVIDED WHEN SPECIFIED.
4. CAPACITORS MAY BE SEPERATELY MOUNTED.
5. LEAD COLORS ARE OPTIONAL. LEADS MUST ALWAYS BE NUMBERED AS SHOWN.

REV. DESC: REMOVE OPTIONAL THERMAL CONNECTION		
REV. LTR: D	VERSION: 01	TDR: 000000373039
ZS1000	FILE: \AAA\00026\903	REVISED: 11:23:45 08/11/2005
	MTL: -	BY: ENJOEPO

BALDOR ELECTRIC Co.

TYPE L OR LC, SV, REV, 5 LDS, THERM, CAPS MAY BE SEP MTD

CD0152