

# **BALDOR® • RELIANCE**

## **Product Information Packet**

# **IDBRPM281004R1**

**100HP, 1780/3555, 3PH, FL2890, TEAO-BC, F3**

Part Detail							
Revision:	-	Status:	PRD/A	Change #:		Proprietary:	No
Type:	AC	Prod. Type:		Elec. Spec:	L4052A	CD Diagram:	422927-001
Enclosure:	TEBC	Mfg Plant:		Mech. Spec:		Layout:	617531-001
Frame:	FL2890	Mounting:	F3	Poles:	04	Created Date:	04-10-2015
Base:		Rotation:	R	Insulation:	H	Eff. Date:	04-13-2015
Leads:						Replaced By:	
Literature:		Elec. Diagram:					

		DUTY	HP	RPM	AMPS	VOLTS	HZ			
	CONT		100	1780	124	460	60			
	CONT		100	3555	120	460	120			
CAT.NO.	IDBRPM281004R1			SPEC. NO.		P28T0307				
SER.NO.				FR	FL 2890	INSUL	H			
PH.	3	MAX SAFE SPEED		5000	AMB.	40			MIN. AMB.	-25
DESIGN NO.	L4052A			TYPE	ENCL. TEAO-BC					
S.F.	1.0			D.E. BRG.	75BC02J30X					
ENCL MOD				O.D.E. BRG.	55BC02J30X					

Parts List		
Part Number	Description	Quantity
WS286667	WS P28T0307	1.000 EA
RA282875	RA P28T0307	1.000 EA
000613006MY	NP-RPMAC INVERTER DUTY	1.000 EA
000692000FP	NP, WARNING LIFT INSTRUCTIONS	1.000 EA
000692000NH	LABEL DIRECTION AIR FL	1.000 EA
000692000VD	LABEL WARNING	1.000 EA
418018122A	LABEL	2.000 EA
418057747A	METAL FASTENER	8.000 EA
422927001	C/D LABEL	1.000 EA
004824015A	GREASE POLYREX EM	0.300 LB
034693001AB	PPLG - G508- use 034692001AB	1.000 EA
034693001AB	PPLG - G508- use 034692001AB	1.000 EA
035000001A	ALFTG 1/8" 1610-BL	1.000 EA
035000001A	ALFTG 1/8" 1610-BL	1.000 EA
036100070JA	HSHCS M8 70MM UNPLATED	3.000 EA
036100070KA	METRIC HSHCS	3.000 EA
036140001D	EYEBOLT - 360	2.000 EA
036500011AB	METRIC NUT M12-1.75 PLT.	4.000 EA
036500011AB	METRIC NUT M12-1.75 PLT.	4.000 EA
036600014AB	FLTW MOTOR MTG.	2.000 EA
400638001G	WAVEN	1.000 EA
418150003A	GREASE FITTING CAP	2.000 EA
602018077A	DRAIN	1.000 EA
602018077A	DRAIN	1.000 EA

Parts List (continued)		
Part Number	Description	Quantity
609830005G	TBOLT VERSION 3	4.000 EA
807583003AAA	BRKT,DE,FL280	1.000 EA
807583004AAB	BRKT,ODE,FL280	1.000 EA
034530016AB	P/NIP 1/8X2 PLATED - 320	2.000 EA
034630001AJ	1/8" PIPE COUPLING	2.000 EA
036000012HB	HHCS M6X12MM LONG PLATED	4.000 EA
036000016KB	HHCSM10-1.5X16MM PLTD-280	2.000 EA
036000025JB	HHCS M8X25MM LONG PLATED	4.000 EA
036000025JB	HHCS M8X25MM LONG PLATED	4.000 EA
036321020HB	HEXSOCKET FLAT SCREW M	3.000 EA
036500009AB	METRIC NUTM8-1.25PLTD-360	4.000 EA
036600009AB	METRIC FLWASH M8 PLATED	4.000 EA
036610009AB	MHSLW M8 SPL.PLTD-G508- BS	4.000 EA
036620009AB	M8 EXTERNAL LK WASHER	1.000 EA
036620010AB	M10 EXT. TOOTH LK WASHER	2.000 EA
074875000A	CONDUIT BOX COVER	1.000 EA
14FH4801	CONICAL GRILLE FOR 250MM FAN, 290MM DIA.	1.000 EA
402731000A	GASK 320-400	1.000 EA
412043002E	PLUG	1.000 EA
415000103G	TLUG	1.000 EA
417733004AA	GASKET	2.000 EA
418018074A	GROUND LABEL G100 METRIC 160 D.C.	3.000 EA
418057373A	SCREW SHEET METAL	11.000 EA
610490005B	BLOWER MOTOR FL280/ 25E24	1.000 EA

Product Information Packet: IDBRPM281004R1 - 100HP,1780/3555,3PH,FL2890,TEAO-BC,F3

613450024C	FAN TEBC FL BALDOR	1.000 EA
706320009A	CB, 2.00 CONDUIT, METRIC, SHEET METAL	1.000 EA
708533003A	PLATE, BTM FAN/BLOWER	2.000 EA
708535010A	FAN COVER FL280	1.000 EA
708535011A	BLOWER COVER GRILL FL280	1.000 EA
708535014A	FAN COVER BAFFLE FL280	1.000 EA
LC0034	CONNECTION LABEL	1.000 EA
000640000P	TAG WINDING THERMOST	1.000 EA
004824007K	SPECIAL PAINT	0.100 EA
034180032HA	KEY 5/8X5/8X4 L bin stocked	1.000 EA

REL S.O.	-	VOLTS	460	ENCLOSURE	TEBC	WYE	CONN	EQ	CKT	OHMS	PER	PHASE
FRAME	FL2890	AMPS	124	MAX SAFE RPM	4800	(AT	BASE	RATING,	25	°C)		
HP	100	DUTY	CONT	IM (AMPS)	59	R1	.0288	X1	.200			
BASE SPEED	1780	S.F.	1.0	P.F. @NL/FL	.035/.805	R2	.0185	X2	.254			
PHASE/HERTZ	3/60	AMB °C/INSUL	45/H	WK <sup>2</sup> (lb-ft <sup>2</sup> )	9.7			XM	4.49			


**RATED FULL LOAD DATA**

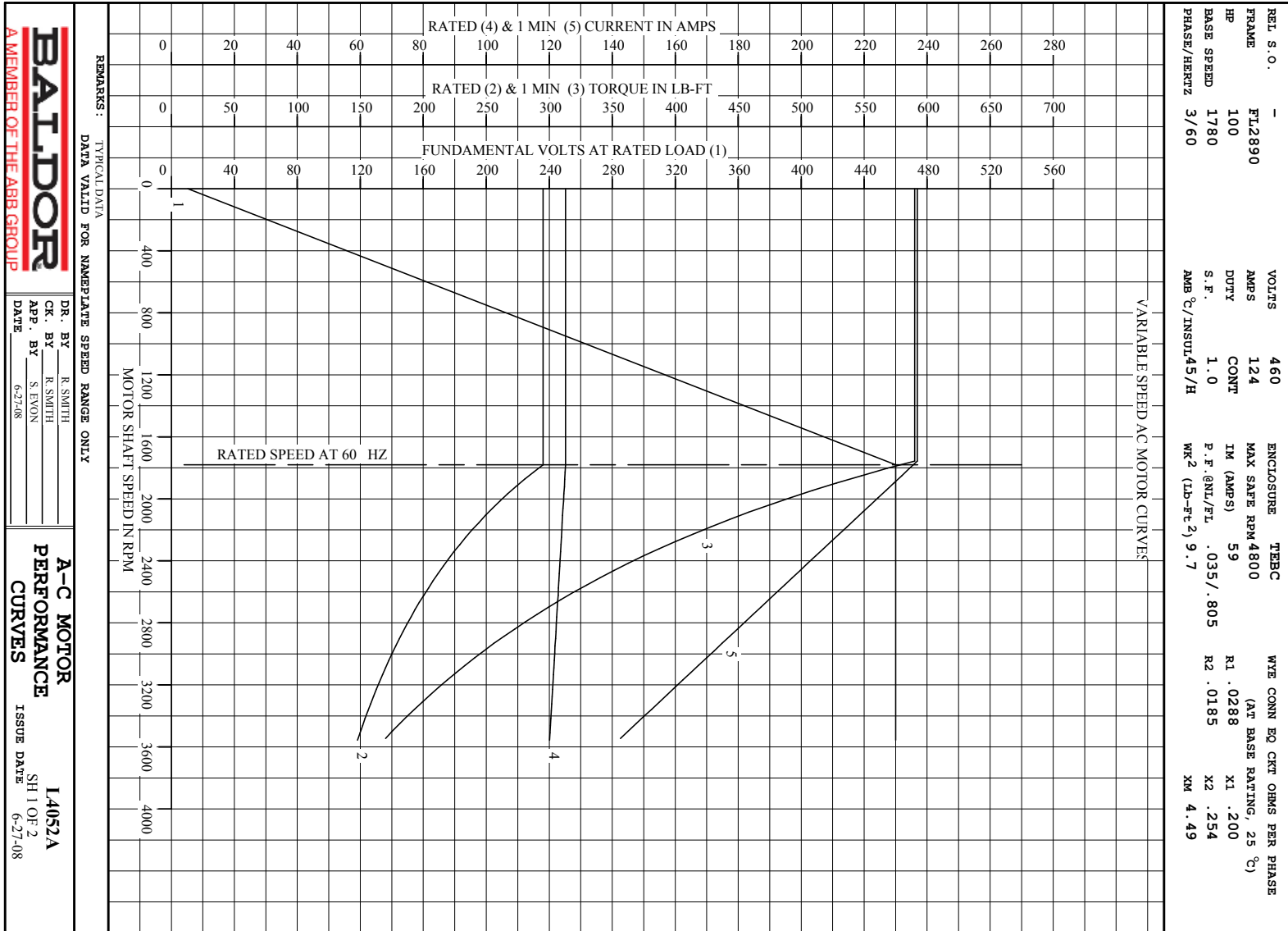
	RPM	HP	TORQUE LB-FT	FUND VOLTS	FREQ-HZ	AMPS
BASE SPEED	1781	100	295	460	60	125
MAX SPEED	3556	100	148	460	120	120
MIN SPEED	0	0	295	10.5	.648	125

**LOAD PERFORMANCE AT BASE SPEED**

	RPM	HP	TORQUE LB-FT	FUND VOLTS	FREQ-HZ	AMPS
NO LOAD	1800	0	0	460	60	58.3
1/4	1795	25.0	73	460	60	65.8
1/2	1791	50.1	147	460	60	81.0
3/4	1786	74.9	220	460	60	101
FULL LOAD	1781	100	295	460	60	125
O/L	1756	197	590	460	60	237

REMARKS: TYPICAL DATA

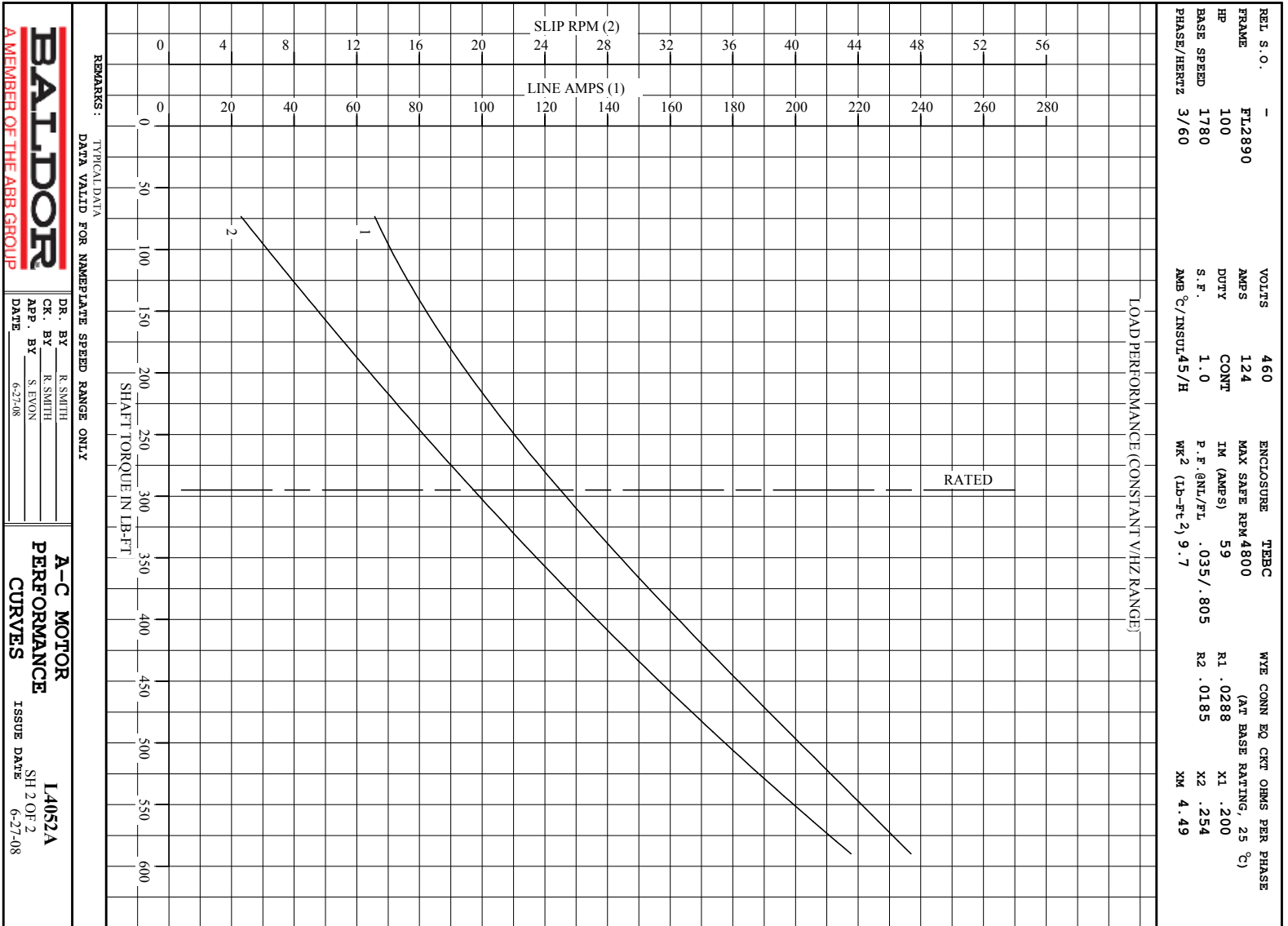
 <p><b>A MEMBER OF THE ABB GROUP</b></p>	DR. BY	R. SMITH	<p><b>A-C MOTOR</b> <b>PERFORMANCE</b> <b>DATA</b></p> <p>ISSUE DATE 6-27-08</p>
	CR. BY	R. SMITH	
	APP. BY	S. EVON	
	DATE	6-27-08	



**BALDOR**  
A MEMBER OF THE ABB GROUP

DR. BY R SMITH  
CR. BY R SMITH  
APP. BY S EVON  
DATE 6-27-08

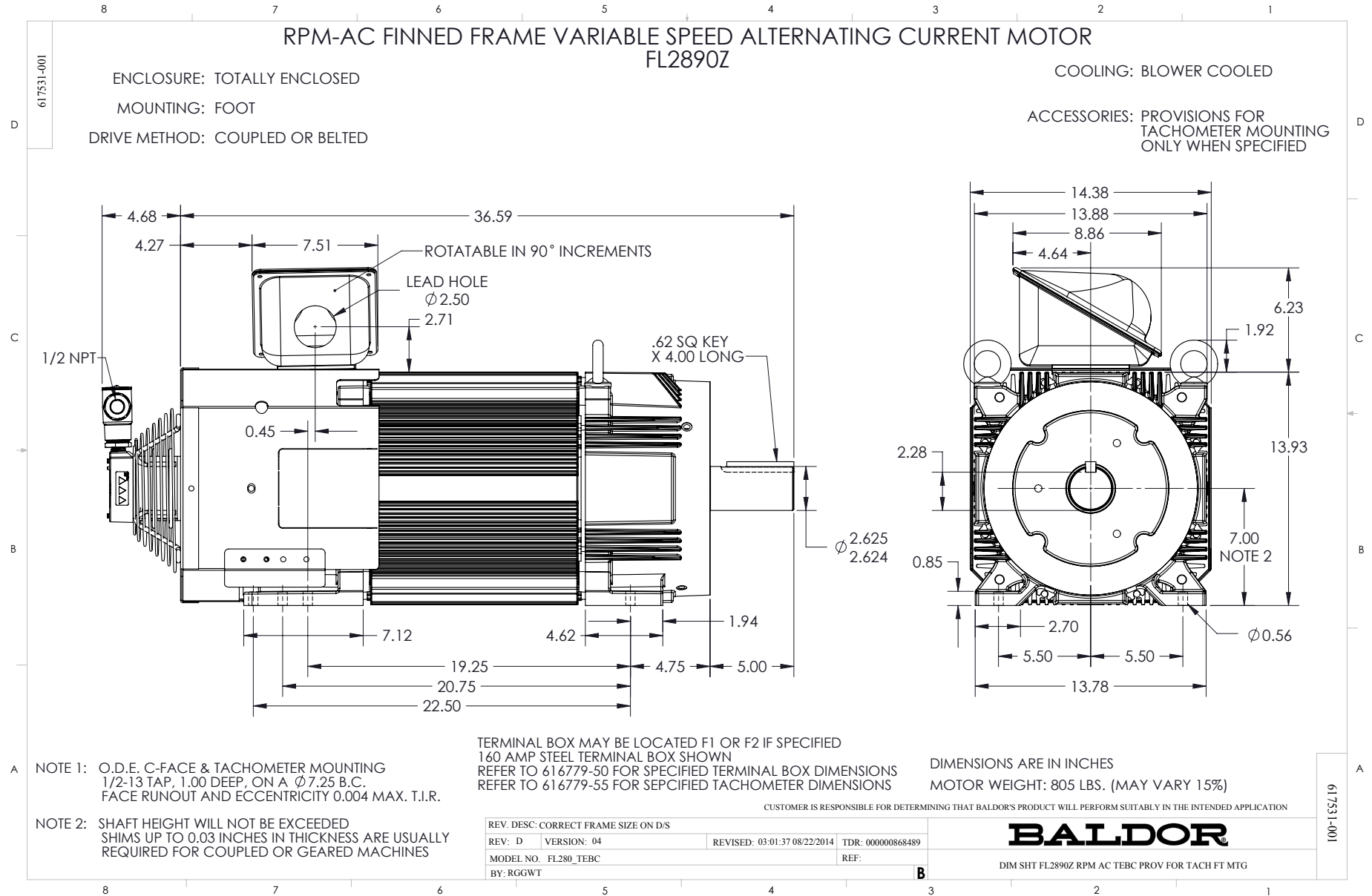
**A-C MOTOR**  
**PERFORMANCE**  
**CURVES**  
ISSUE DATE 6-27-08  
**14052A**  
SH 1 OF 2



**BALDOR**  
A MEMBER OF THE ABB GROUP

DR. BY R SMITH  
CR. BY R SMITH  
APP. BY S EVON  
DATE 6-27-08

**A-C MOTOR**  
**PERFORMANCE**  
**CURVES**  
I4052A  
SH 2 OF 2  
ISSUE DATE 6-27-08

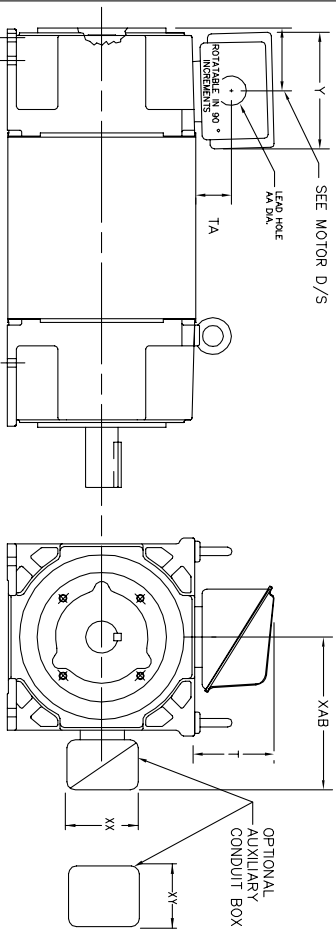


618779-050

# INDUSTRIAL ALTERNATING CURRENT MOTORS

## RPM AC

STEEL, CAST IRON, MILL AND TERMINAL BOARD CONDUIT BOX DIMENSIONS  
 NEMA FRAMES FL210 thru RL280 and IEC FRAMES RDL132 thru RDL180  
 NEMA FRAMES FL180 thru FL280 and IEC FRAMES FDL112 thru FDL180



TERMINAL BOX	Y	TA	T	AA	MAX AMP'S	REMARKS
706310-63B	14.39	7.43	12.15	--	400	TERMINAL STRIP
706310-226R	9.00	3.06	5.40	Pg36 & Pq16	160	TERMINAL STRIP
706310-225R	7.25	2.30	4.40	Pg29 & Pq16	100	TERMINAL STRIP
706310-56B	9.00	3.06	5.40	Pg36 & Pq16	160	TERMINAL STRIP
706310-56A	7.75	2.30	4.40	Pg29 & Pq16	100	TERMINAL STRIP
706320-14D	15.00	7.56	12.81	5	510	CAST IRON
706320-13A	10.50	4.88	9.00	4.0 TAP	210	CAST IRON
706320-12B	9.25	4.81	8.56	3	140	CAST IRON
75460-62B	7.25	2.50	5.25	1.5 TAP	110	CAST IRON
706320-4C	5.75	2.38	4.38	1.0 TAP	60	CAST IRON FL180 ONLY
706310-3E	16.00	4.40	7.81	3	590	MILL
706310-3X	8.00	2.38	5.00	--	160	MILL
702658-1G	14.62	7.56	12.70	5	500	STEEL
706320-16A	9.00	4.12	8.44	4.59	305	STEEL
706320-9A	7.25	3.50	7.06	2.50	160	STEEL
75454-1AJ	7.69	2.38	5.25	1.94	121	STEEL
75452-B	6.34	2.00	4.12	1.75	61	STEEL
75452-G	6.34	2.00	4.12	--	61	SPECIAL
706320-5A	6.12	2.38	4.38	1.75/2.00	75	STEEL FL180 ONLY
706320-3A	5.00	1.62	3.00	1.12	40	STEEL FL180 ONLY
706320-7A	7.62	2.00	7.00	2.5/3.0	208	STEEL FL180 ONLY

FRAME SIZE	XAB	OPTIMAL AUXILIARY CONDUIT BOX DIMENSIONS (MAXIMUM)				PART NUMBER			
		XX	XY	XAB	XX				
FL210/FL132/RL210/RL132	7.38	4.25	4.25	602007-26-A	FL210/FL132/RL210/RL132	10.88	8.00	8.00	706310-3-B
FL220/FL180/RL220/RL180	8.44	4.23	4.23	602007-26-A	FL220/FL180/RL220/RL180	11.88	8.00	8.00	706310-3-B
FL280/FL180/RL280/RL180	9.12	4.23	4.23	602007-26-A	FL280/FL180/RL280/RL180	12.62	8.00	8.00	706310-3-B

- (1) 'AA' CONDUIT
- (2) 'AA' PIPE TAP
- (3) CUSTOMER TO PROVIDE HOLE FOR CONDUIT.
- (4) 'E' ON 'SA' OR 'I' TAP ON '4C'

TERMINAL BOX CAN BE ROTATED FOR LEAD OUTLET AT TOP, SIDES OR BOTTOM.  
 TERMINAL BOX LOCATED ON OPPOSITE SIDE WHEN F-2, W-1, W-4, W-5, W-7,  
 OR C-1 MOUNTING IS SPECIFIED. BOX LOCATED ON TOP WHEN SPECIFIED.

050-60761919

CUSTOMER IS RESPONSIBLE FOR DETERMINING THAT BALDOR'S PRODUCT WILL PERFORM SUITABLY IN THE INTENDED APPLICATION.

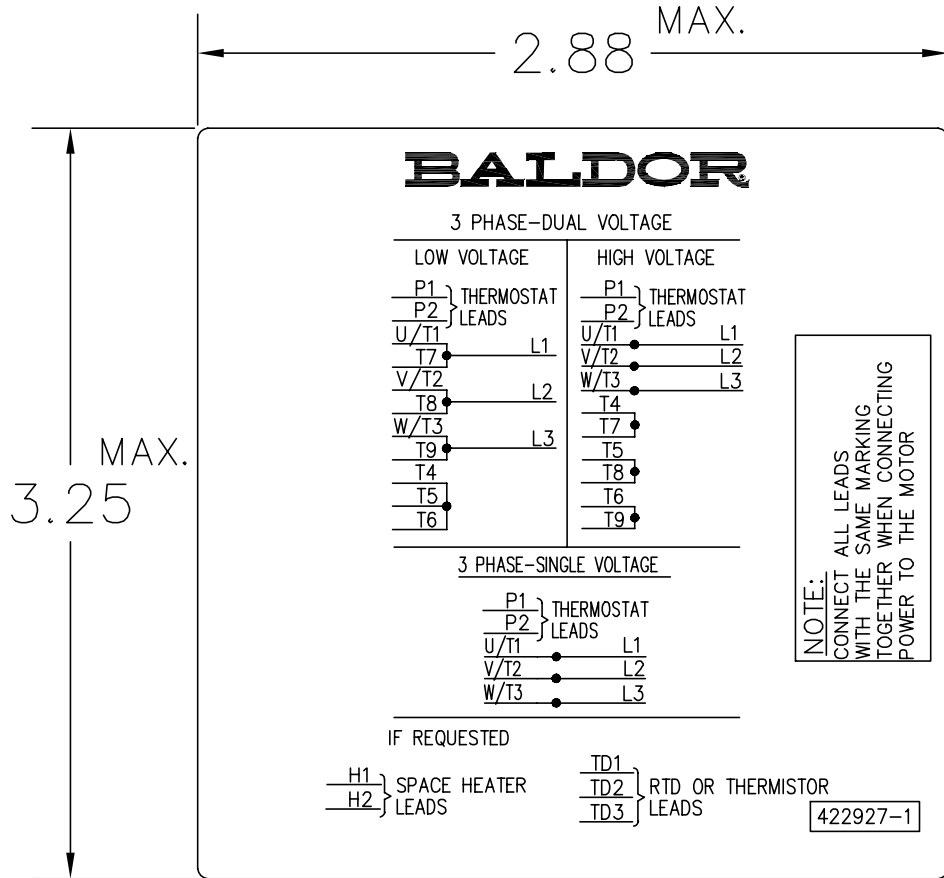
REV. DESC: BOX # 706320-9A, CHANGE AA DIM FROM 2 TO 2.50	TDR: 000000785386
REV. LTR: C	VERSION: 03
FILE: \RGG\00003\692	REVISED: 08:40:55 02/11/2013
MTL: -	BY: RGGWT

**BALDOR**

DIM SHT NEMA RL210-RL280 FL180-FL280 IEC RDL132-RDL180

SH 1 of 1

422927-001



NOTE:  
DATA TO BE SIZED  
SO THAT IT FITS INTO  
MATERIAL DECAL  
DIMENSIONS. MAKE  
LETTERS & NUMBERS  
AS LARGE AS POSSIBLE.

MATERIAL: CERAMATIC DGF-P4  
PERMA GRIP ADHESIVE

ALL LETTERS, NUMBERS  
AND LINES TO BE BLACK  
ON WHITE BACKGROUND.

422927-001

REV. DESC: CHANGE BACKGROUND COLOR FROM GOLD TO WHITE		
REV. LTR: B	VERSION: 02	TDR: 00000788708
FILE: \RGG\00000\203	REVISED: 08:09:29 03/04/2013	
MTL: -	BY: RGGWT	

**BALDOR**

EXTERNAL CONNECTION LABEL

SH 1 of 1

Marketing maintained PDF of MN406:

<http://www.baldor.com/support/Literature/Load.ashx/MN406?ManNumber=MN406>