

BALDOR® • RELIANCE

Product Information Packet

IDXM7006

.5HP, 1735RPM, 3PH, 60HZ, 56C, 3513M, XPFC, F1

Part Detail							
Revision:	M	Status:	PRD/A	Change #:		Proprietary:	No
Type:	AC	Prod. Type:	3514M	Elec. Spec:	35WGP862	CD Diagram:	CD0005
Enclosure:	XPFC	Mfg Plant:		Mech. Spec:	35M998	Layout:	35LYM998
Frame:	56C	Mounting:	F1	Poles:	04	Created Date:	11-24-2010
Base:	RG	Rotation:	R	Insulation:	F	Eff. Date:	09-02-2016
Leads:	9#18					Replaced By:	
Literature:		Elec. Diagram:					

Nameplate NP0887XPSL											
NO.					CC						
S/N					TEMP CODE	T3C					
SPEC.	35M998P862G1				INV. TYPE	PWM					
CAT.NO.	IDX7006				C HP FR	60		C HP TO	90		
HP	.5				CT HZ FROM	6		CT HZ TO	60		
VOLTS	230/460				VT HZ FROM	6		VT HZ TO	60		
AMPS	1.6/.8				MAG CUR	1/.5					
RPM	1735				MX RPM	2700					
HZ	60		PH	3		CL	F		NOM.EFF.	82.5	
SER.F.	1.00		DES	B		SL HZ	2.2		WK2	0.08	
FRAME	56C		RATING	40C AMB-CONT							
	55C RISE										

Parts List		
Part Number	Description	Quantity
SA212873	SA 35M998P862G1	1.000 EA
RA200102	RA 35M998P862G1	1.000 EA
34FN3002B01	EXTERNAL FAN, PLASTIC, .637/.639 HUB W/	1.000 EA
35CB3001A01SP	EXPL CONDUIT BOX, MACH, 1/2" PIPE TAP LE	1.000 EA
11XT0832G06	8-32 X 3/8 TY 23 TAPPING	1.000 EA
HW3001B01	BRASS CUP WASHER, FOR #8 SCREW	1.000 EA
35EP3700A01SP	FR ENDPLATE, XPFC	1.000 EA
HW5100A03SP	WAVY WASHER (W1543-017)	1.000 EA
35EP3702A01SP	PU EP-205 BRG-35X-56C-143-5TC	1.000 EA
51XN1032A20	10-32 X 1 1/4 HX WS SL SR	2.000 EA
HA3013A01	1/2-20X5/8 SPL.HX BOLT	2.000 EA
HW3021C06	3/32 DI X .625 PIN (F/S)	2.000 EA
XY3118A12	5/16-18 HEX NUT DIRECTIONAL SERRATION	4.000 EA
51XB1214A16	12-14X1.00 HXWSSLD SERTYB	1.000 EA
35FH4005A01SP	IEC FH NO GREASER W/PRIMED	1.000 EA
51XW1032A06	10-32 X .38, TAPTITE II, HEX WSHR SLTD S	3.000 EA
35CB3500A01SP	CONDUIT BOX LID, MACH	1.000 EA
51XN2520A16	SCREW, HEX WS SLT, ZN, 1/4-20 X 1.00	4.000 EA
HW2501D13	KEY, 3/16 SQ X 1.375	1.000 EA
HA7000A04	KEY RETAINER 0.625 DIA SHAFTS	1.000 EA
HA7000A04	KEY RETAINER 0.625 DIA SHAFTS	1.000 EA
85XU0407S04	4X1/4 U DRIVE PIN STAINLESS	8.000 EA
NP0018F	ALUM UL XP CONDUIT BOX NAMEPLATE	1.000 EA
MJ1000A02	GREASE, POLYREX EM EXXON (USe 4824-15A)	0.050 LB

Parts List (continued)		
Part Number	Description	Quantity
MG1025G29	WILKOFEST, 789.229, DARK CHARCOAL GRAY	0.017 GA
HW2501D13	KEY, 3/16 SQ X 1.375	1.000 EA
HA3104A06	THRUBOLT 5/16-18 X 8.50 OHIO ROD	4.000 EA
LB1119N	WARNING LABEL	1.000 EA
LC0145B01	CONNECTION LABEL	1.000 EA
NP0887XPSL	SS XP INV UL CSA CC CL-I GP-D CL-II GP-F	1.000 EA
36PA1000	PKG GRP, PRINT PK1016A06	1.000 EA
MN416A01	TAG-INSTAL-MAINT no wire (1200/bx) 11/14	1.000 EA

AC Induction Motor Performance Data



AC Induction Motor Performance Data
Record # 36569
Typical performance - not guaranteed values

Winding: 35WGP862	Type: 3513M	Enclosure: XPFC
--------------------------	--------------------	------------------------

Nameplate Data			General Characteristics at 460 V, 60 Hz: High Volt Connection		
Rated Output (HP)	.5		Full Load Torque	1.53 LB-FT	
Volts	230/460		Start Configuration	DOL	
Full Load Amps	1.6/8		Break Down Torque	6.3 LB-FT	
R.P.M.	1735		Pull-Up Torque	3.55 LB-FT	
Hz	60	Phase	3	Locked-rotor Torque	4.82 LB-FT
NEMA Design Code	B	KVA Code	K	Starting Current	5.57 Amps
Service Factor	1		No-load Current	0.483 Amps	
NEMA Nom. Eff.	82.5	P.F.	74	Line-line Res. @ 25°C.	37.7 Ohms
Rating - Duty	40C AMB-CONT		Temp. Rise @ Rated Load	20°C	
S.F. Amps			Temp. Rise @ S.F. Load	26°C	

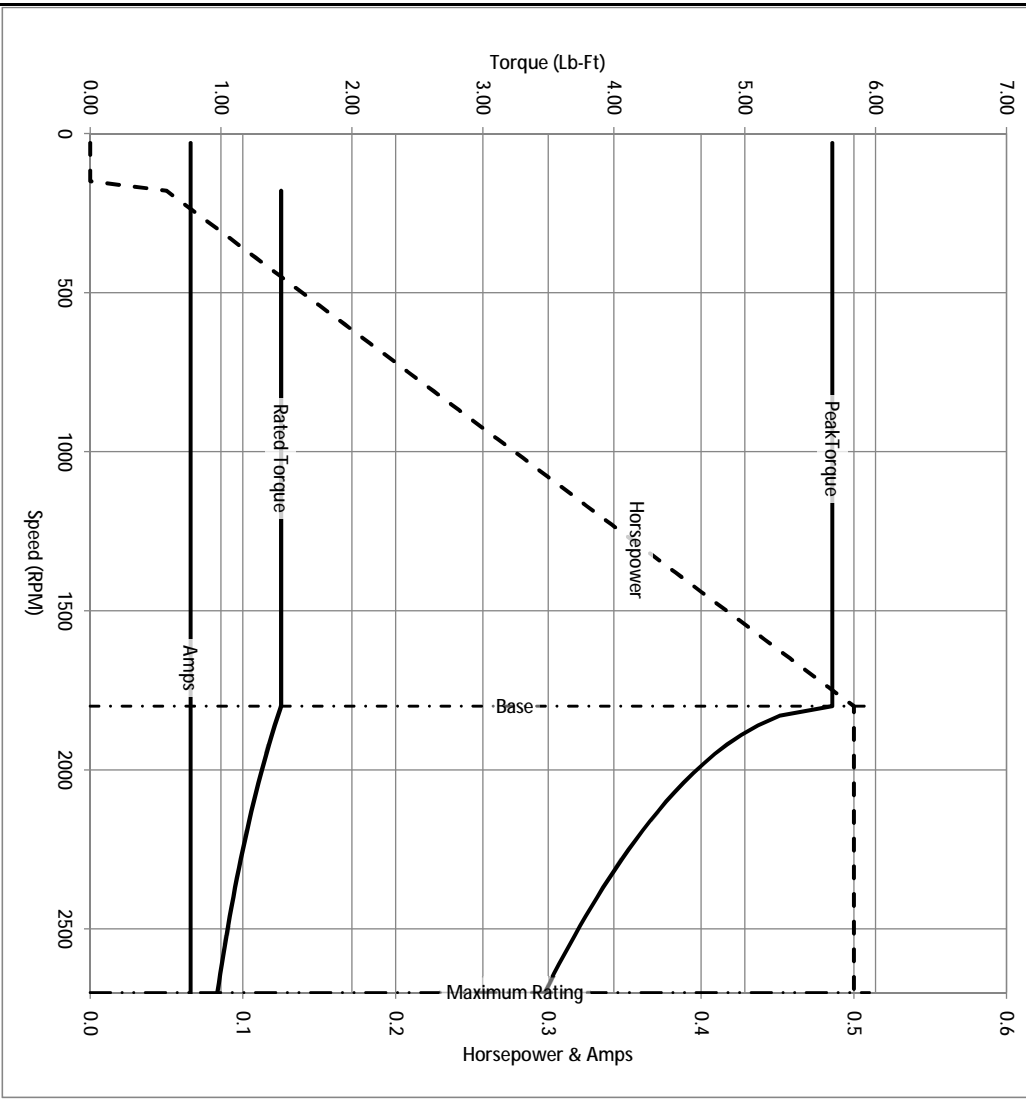
Load Characteristics at 460 Volts, 60 Hz, 0.5 HP

% of Rated Load	25	50	75	100	125	150	S.F.
Power Factor	34	52	64	75	79	85	
Efficiency	69.7	80.2	82.4	82.8	81.9	79.7	
Speed	1784	1770	1755	1737	1718	1697	
Line Amperes	0.512	0.575	0.662	0.768	0.899	1.04	

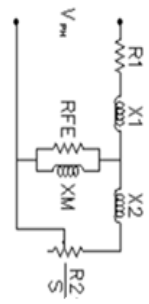
Baldor Electric Company Fort Smith, Arkansas



Catalog	IDXMT7006	NP VOLTS	230/460	ENCLOSURE	XPFC	WYE CONN EO CRT OHMS PER PHASE (BASE RATING, 20C)
FRAME	56C	NP AMPS	1.6/ .8	Base Volts	460	R1 18.400 X1 22.338
HP	0.5 HP	DUTY	Cont	Base AMPS	0.768	R2 13.200 X2 12.942
BASE SPEED	1800	MAX SAFE RPM	2700	Slip Hz	2.10	XM1 503.246
PHASE/HZ	3/60	AMB ⁰ /INSUL	40/F	WK ² (lb-ft ²)	0.0768	

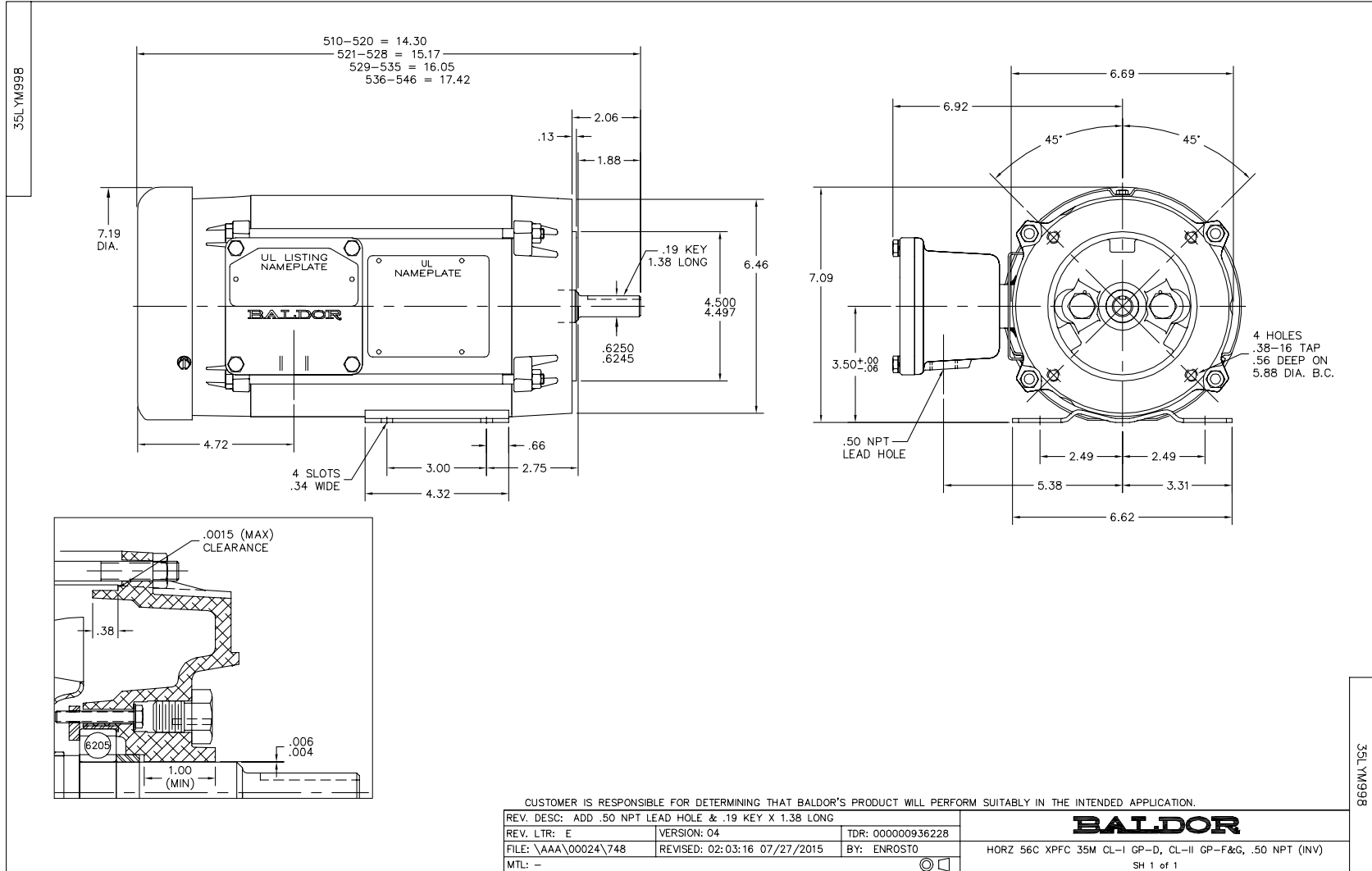


Remarks: Calculated Data



BALDOR
A MEMBER OF THE ABB GROUP

DR BY	ENR	A-C MOTOR	35M998P862G1
CK BY		PERFORMANCE CURVES	
APP BY	ENR	ISSUE DATE	3/6/2013
DATE	3/6/2013		



CD0005



LOW VOLTAGE
(2Y)



LINE

HIGH VOLTAGE
(1Y)



LINE

NOTES:

1. INTERCHANGE ANY TWO LINE LEADS TO REVERSE ROTATION.
2. OPTIONAL THERMOSTATS ARE PROVIDED WHEN SPECIFIED.
3. ACTUAL NUMBER OF INTERNAL PARALLEL CIRCUITS MAY BE A MULTIPLE OF THOSE SHOWN ABOVE.
4. LEAD COLORS ARE OPTIONAL. LEADS MUST ALWAYS BE NUMBERED AS SHOWN.

REV. DESC: REVISE TO SHOW OPTIONAL COLORS			
REV. LTR: E	BY: JLP	REVISED: 01/19/99 10:15	TDR: 0171435
9000D		FILE: AAA00005140	MDL: -
		MTL: -	

BALDOR ELECTRIC Co.

3PH, DV, 9 LEADS

CD0005