

BALDOR® • ***RELIANCE***

Product Information Packet

JL1317A

2HP,3450RPM,1PH,60HZ,56J,3528L,OPEN,F1

Part Detail							
Revision:	BA	Status:	PRD/A	Change #:		Proprietary:	No
Type:	AC	Prod. Type:	3528L	Elec. Spec:	35WGW183	CD Diagram:	CD0307
Enclosure:	OPEN	Mfg Plant:		Mech. Spec:	35E522	Layout:	35LYE522
Frame:	56J	Mounting:	F1	Poles:	02	Created Date:	06-21-2007
Base:	N	Rotation:	FOS	Insulation:	B	Eff. Date:	01-22-2016
Leads:	4#14 A&J,1#18 B PH,1#10 #1TH					Replaced By:	
Literature:		Elec. Diagram:					

Nameplate NP1257L	
CAT.NO.	JL1317A
SPEC.	35E522W183
HP	2
VOLTS	115/230
AMP	26/13
RPM	3450
FRAME	56J
SER.F.	1.20
NEMA-NOM-EFF	70
RATING	40C AMB-CONT
CC	
DE	6205
ENCL	OPEN
	SFA 27.6/13.8
	CODE G
	PF 69
	ODE 6203
	SN
	HZ 60
	DES L
	CL B
	PH 1
	USABLE AT 208V 13

Parts List		
Part Number	Description	Quantity
SA024304	SA 35E522W183	1.000 EA
RA020354	RA 35E522W183	1.000 EA
EC1645A06SP	ELEC CAP, 645-774 MFD, 125V, 2.06D X 4.	1.000 EA
WD3006A01	RSS-2-103JT 2W 10K RES. METAL OXIDE 5%	1.000 EA
RM1001A01	GROMMET "MIDSTATES"	1.000 EA
11XT0832G06	8-32 X 3/8 TY 23 TAPPING	1.000 EA
35EP3202A02SP	FR ENDPLATE, MACH	1.000 EA
SP1033A01	INSULATOR MODEL 35 TERM PANEL	1.000 EA
51XW0832A07	8-32 X .44, TAPTITE II, HEX WSHR SLTD SE	2.000 EA
85XU0407S04	4X1/4 U DRIVE PIN STAINLESS	2.000 EA
NS2501A01	INSULATOR, CAPACITOR	1.000 EA
51XB1016A05	10-16X5/16HX WA SL SR TYB (F/S)	2.000 EA
HW5100A03SP	WAVY WASHER (W1543-017)	1.000 EA
35EP3400A02	PU ENDPLATE, MACH	1.000 EA
35AD2000	AIR BAFFLE	1.000 EA
60XW0632A06	6-32 X 3/8 TORX HEAD SCREW TAPTITE II	4.000 EA
51XN1032A20	10-32 X 1 1/4 HX WS SL SR	2.000 EA
35FH4500A02	DRIP COVER, STAMPED (W/ PRIMER	1.000 EA
51XW0832A07	8-32 X .44, TAPTITE II, HEX WSHR SLTD SE	2.000 EA
35CB4500SP	TERMINAL BOX LID STAMPED	1.000 EA
51XW0832A07	8-32 X .44, TAPTITE II, HEX WSHR SLTD SE	2.000 EA
LB1009N	LABEL,ROTATION DIRECTION (ON ROLLS)	1.000 EA
MJ1000A02	GREASE, POLYREX EM EXXON (USe 4824-15A)	0.050 LB
MG1000G27	MED CHARCOAL METALLIC GREY 400-0096	0.017 GA

Parts List (continued)		
Part Number	Description	Quantity
HA3100A15	THRUBOLT 10-32 X 8.375	4.000 EA
WD1000A15	3-520132-2 AMP FLAG (4M/RL NON-CANC/NON-	2.000 EA
35CB4802A02SP	CAPACITOR COVER, STAMPED X	1.000 EA
SP5066A01	MODEL 35 TERMINAL PANEL SWITCH WITH LEAD	1.000 EA
LB1118	LABEL,WARNING (ROLL LABEL)	1.000 EA
LC0307	1PH, DV, FIX, W & W/O THERM, TERM PLATE,	1.000 EA
NP1257L	ALUM UL CSA CC THERMAL REV MTG	1.000 EA
36PA1000	PKG GRP, PRINT PK1016A06	1.000 EA
PK3083T	STYROFOAM PACKING CRADLE W/TAPE	1.000 EA

AC Induction Motor Performance Data
Record # 9776 - Typical performance - not guaranteed values

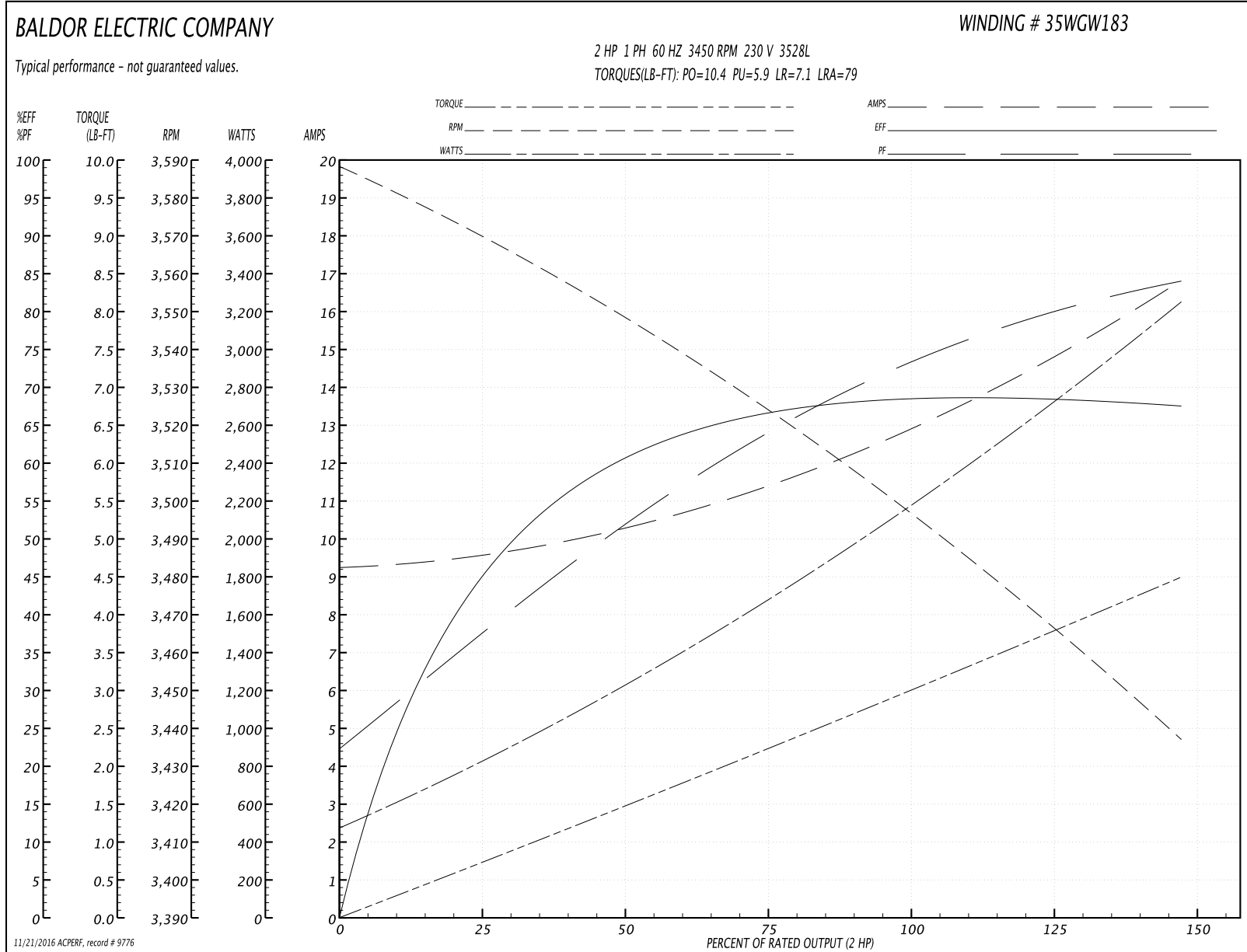
Winding: 35WGW183-R001	Type: 3528L	Enclosure: OPEN
-------------------------------	--------------------	------------------------

Nameplate Data				230 V, 60 Hz: High Voltage Connection	
Rated Output (HP)	2			Full Load Torque	3 LB-FT
Volts	115/230			Start Configuration	direct on line
Full Load Amps	26/13			Breakdown Torque	10.4 LB-FT
R.P.M.	3450			Pull-up Torque	5.9 LB-FT
Hz	60	Phase	1	Locked-rotor Torque	7.1 LB-FT
NEMA Design Code	L	KVA Code	G	Starting Current	79 A
Service Factor (S.F.)	1.2			No-load Current	9.3 A
NEMA Nom. Eff.	70	Power Factor	69	Line-line Res. @ 25°C	0.842 Ω A Ph 0.843 Ω B Ph
Rating - Duty	40C AMB-CONT			Temp. Rise @ Rated Load	77°C
S.F. Amps	27.6/13.8			Temp. Rise @ S.F. Load	87°C

Load Characteristics 230 V, 60 Hz, 2 HP

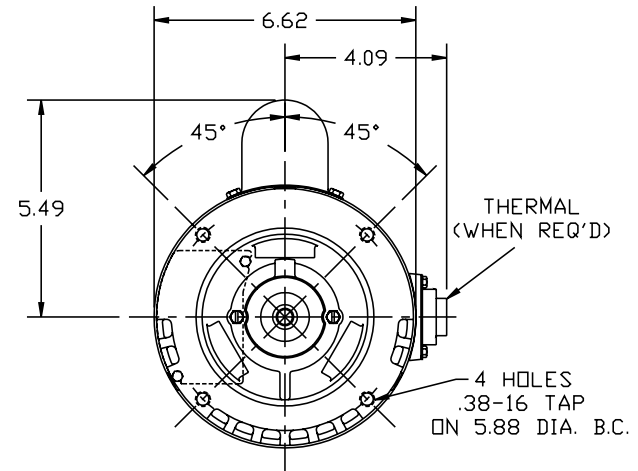
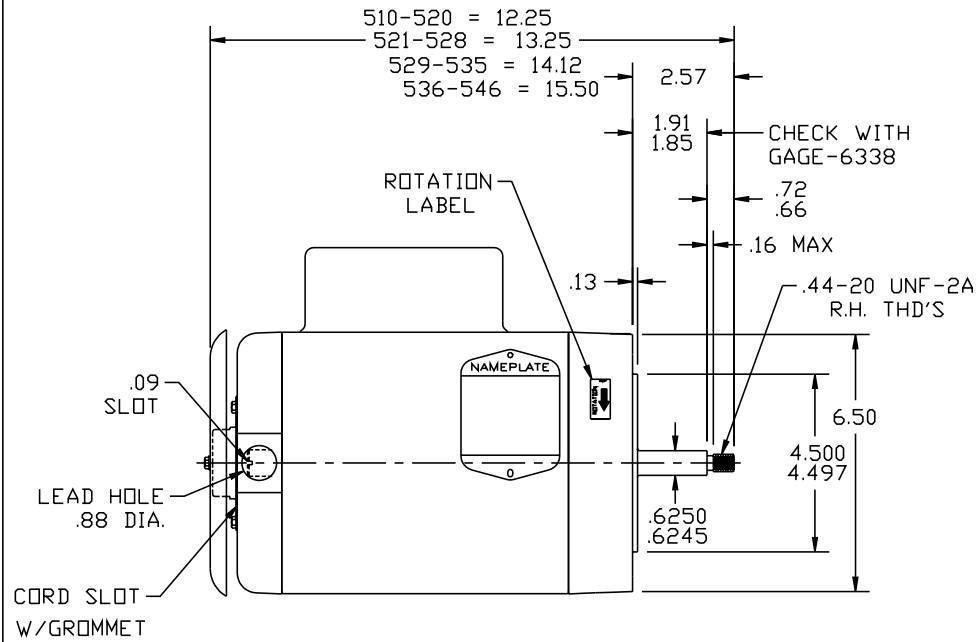
% of Rated Load	25	50	75	100	125	150	S.F.
Power Factor	38	53	65	71	80	84	78
Efficiency	46	60	66	70	68	67.5	68.4
Speed	3569	3547	3523	3498	3469	3436	3475
Line amperes	9.5	10.3	11.4	13	14.7	16.8	13.8

Performance Graph at 230V, 60Hz, 2.0HP Typical performance - Not guaranteed values



11/21/2016 ACPERF, record # 9776

35E522



CUST. NAME	CUST. P.O.	CERTIFIED BY	MODEL	INSUL	AMB		
H.P.	MTG	TYPE	R.P.M.	VOLTS	ENCL PHASE	FREQ	FRAME

REMARKS:		
REV:	Q	REV DESCRIPTION

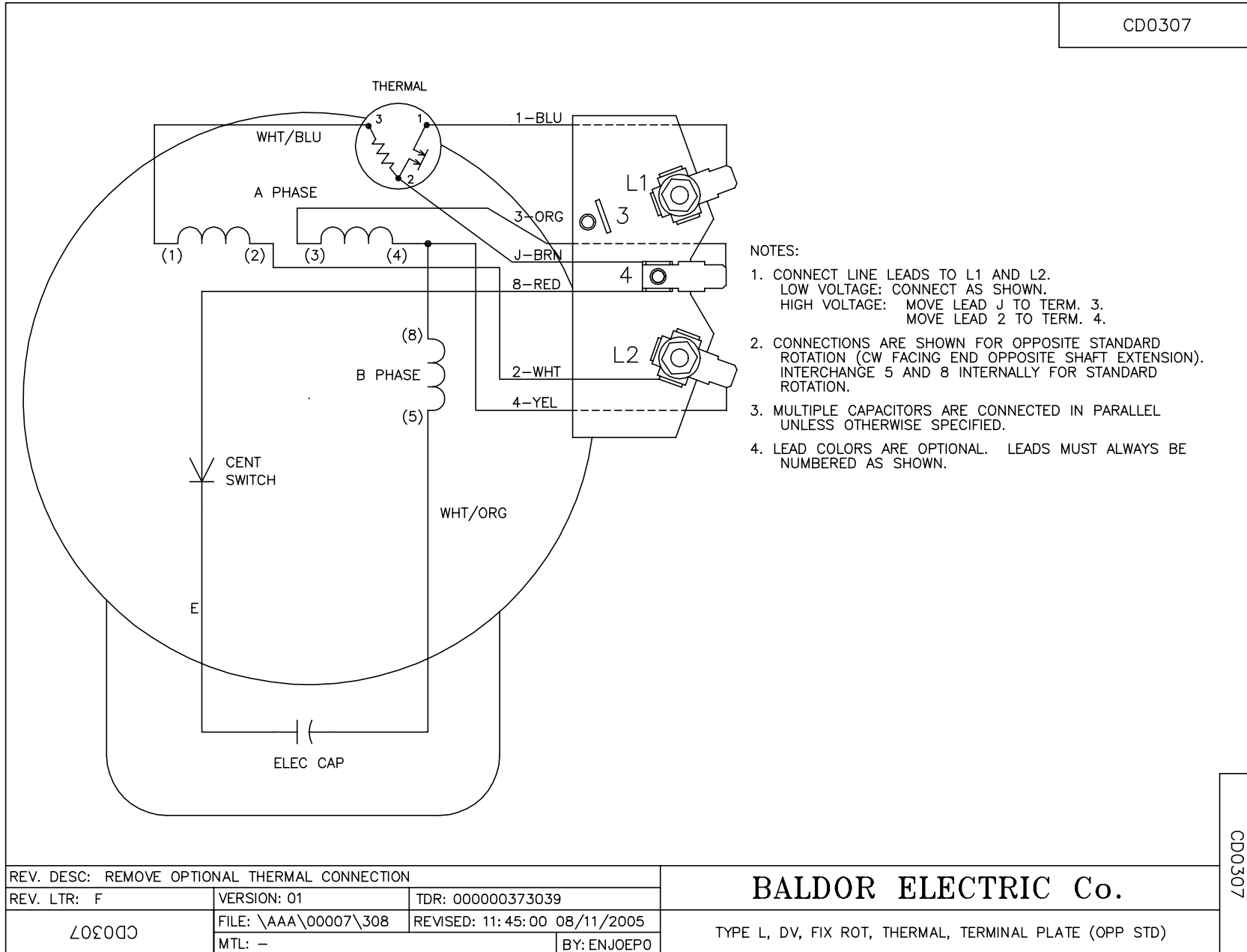
ZZG3G	SCALE: .3	BY: SLK	REVISED: 01/18/96
	FILE: AAA00014203	TDR: 0088854	

BALDOR ELECTRIC Co.

STD VERT 56J OPEN 35L W/DRIP COVER

35E522

CD0307



CD0307