

BALDOR® • *RELIANCE*

Product Information Packet

JMSSEWDM3546T

1HP, 1760RPM, 3PH, 60HZ, 143JM, 3522M, TENV, F1

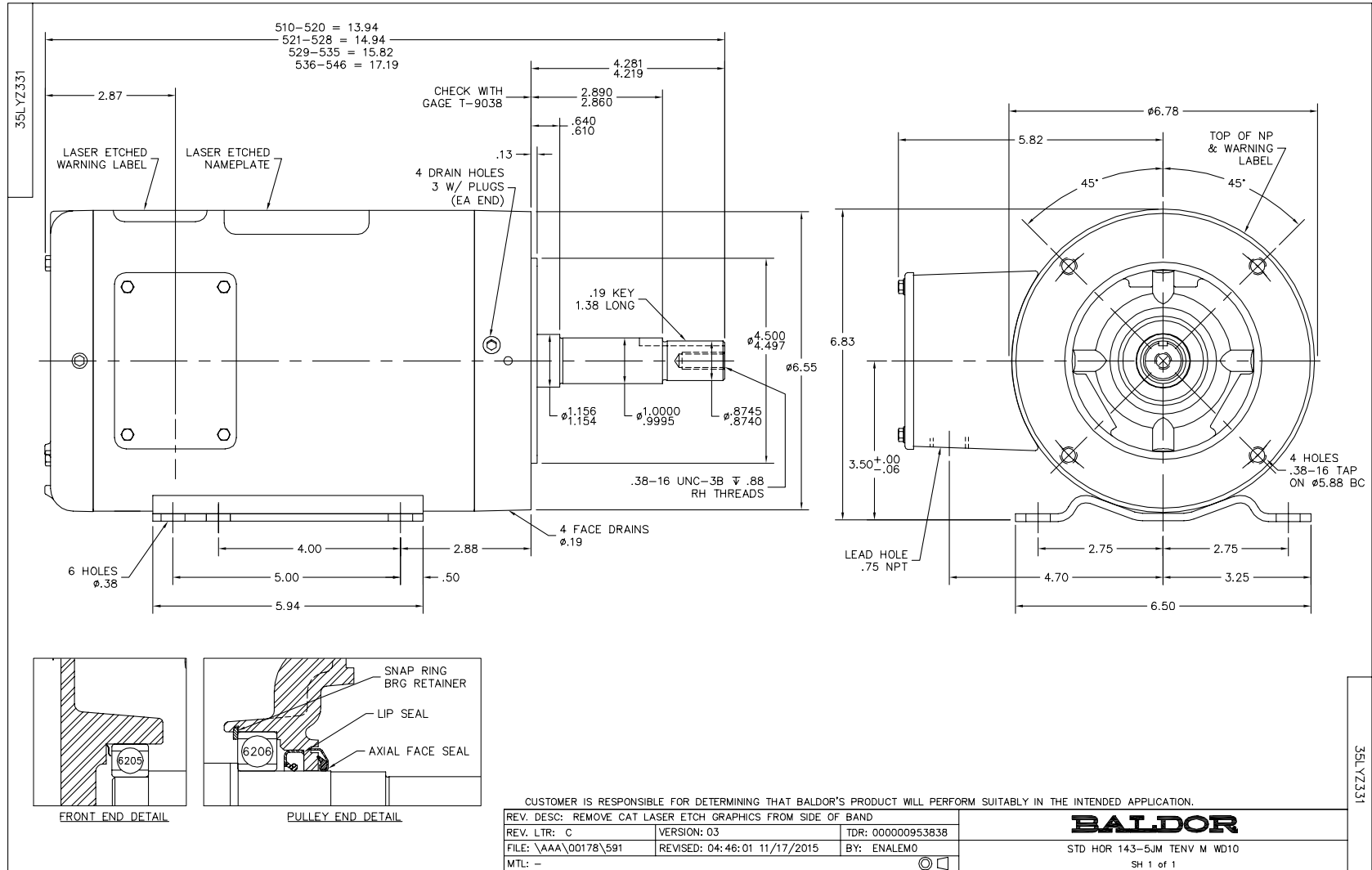
Part Detail							
Revision:	B	Status:	PRD/A	Change #:		Proprietary:	No
Type:	AC	Prod. Type:	3522M	Elec. Spec:	35WGW045	CD Diagram:	CD0005
Enclosure:	TENV	Mfg Plant:		Mech. Spec:	35Z331	Layout:	35LYZ331
Frame:	143JM	Mounting:	F1	Poles:	04	Created Date:	07-01-2016
Base:	RG	Rotation:	R	Insulation:	H	Eff. Date:	11-01-2016
Leads:	9#18					Replaced By:	
Literature:		Elec. Diagram:					

Nameplate NP1953A01										
CAT.NO.	JMSSEWDM3546T									
SPEC.	35Z331W045G1									
HP	1									
VOLTS	230/460									
AMP	3/1.5									
RPM	1760									
FRAME	143JM				HZ	60			PH	3
SER.F.	1.15		CODE	M	DES	B		CLASS	H	
NEMA-NOM-EFF	85.5			PF	74					
RATING	40C AMB-CONT									
CC	010A				USABLE AT 208V					
DE	6206			ODE	6205					
ENCL	TENV		SN							

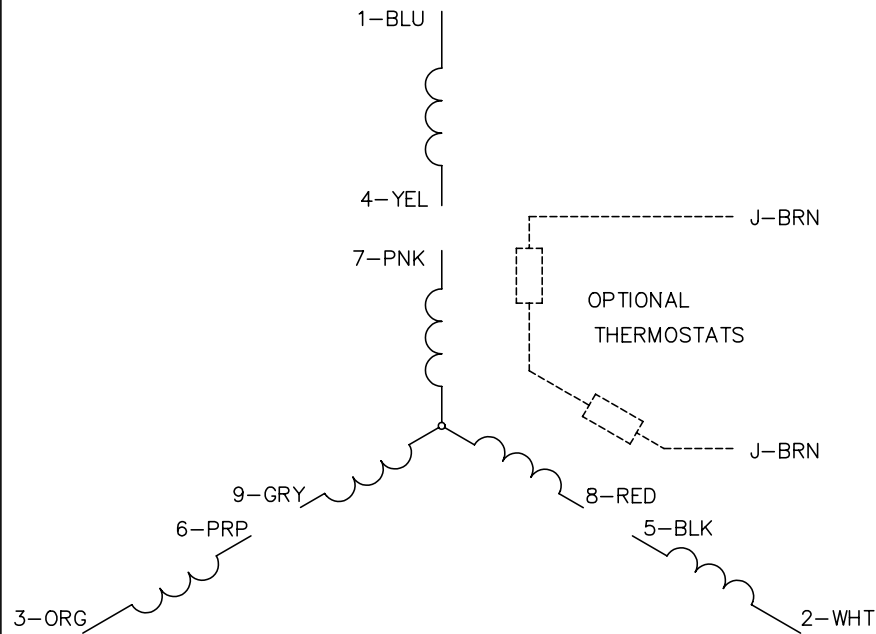
Parts List		
Part Number	Description	Quantity
SA323200	SA 35Z331W045G1	1.000 EA
RA311019	RA 35Z331W045G1	1.000 EA
11XW1032G06	10-32 X .38, TAPTITE II, HEX WSHR SLTD U	1.000 EA
35FE1917A10	FREP TENV 205 BRG NO GRS 4X.125 NPT (SS)	1.000 EA
RM1070A25	O-RING,VITON 6.19 ID X .062 C.S. NOM	1.000 EA
HW4500A33	1/8 NPT STAINLESS,HOLO-KROME #13002,PRES	3.000 EA
HW5100A05	WVY WSHR F/205 & 304 BRGS	1.000 EA
35PE1916A06	PULLEY 143-5TC ENCL 205 BRG (STAINLESS)	1.000 EA
RM1070A25	O-RING,VITON 6.19 ID X .062 C.S. NOM	1.000 EA
HW4600F25	AXIAL FACE SEAL AFX-30 304SS/V107 SS CAS	1.000 EA
HW4500A33	1/8 NPT STAINLESS,HOLO-KROME #13002,PRES	3.000 EA
RM1070A26	O-RING,4.5MM I.D.X1.5MM C.S. (VITON)	4.000 EA
36GS3008SP	WHITE NEOPREME KO BOX LID GASKET	1.000 EA
35CB4515	35 CB LID #304 STAINLESS STEEL	1.000 EA
59XN0832S07	8/32 X 7/16 HX WS HD SER X	4.000 EA
HW2502D13	SS KEY, 3/16 SQ X 1.375	1.000 EA
HA7000A01	KEY RETAINER 7/8" DIA SHAFT	1.000 EA
MJ5001A27	32220KN GRAY SEALER *MIN BUY 4 QTS=1GAL	0.005 QT
MJ5004A37	#76732 LOCTITE ANTISEIZE THRD COMPOUND	0.005 EA
HA5027A02	HA4054 T-DRAIN X2 BAGGED WITH LABEL	1.000 EA
MJ1000A02	GREASE, POLYREX EM EXXON (USe 4824-15A)	0.050 LB
WD5603A01	KIT, CLOSED-END LEAD SPLICE (18-14GA)	1.000 EA
HA3100S09	THRUBOLT 9.25 LENGTH SS	4.000 EA
G7PA1000	PKG GRP, PRINT PK1034A06	1.000 EA

Parts List (continued)		
Part Number	Description	Quantity
MN416A01	TAG-INSTAL-MAINT no wire (1200/bx) 11/14	1.000 EA
HA5027A07	85XU1208S08 FACE DRAIN PINS BAGGED	1.000 EA

No performance data has been
assigned to this product.



CD0005

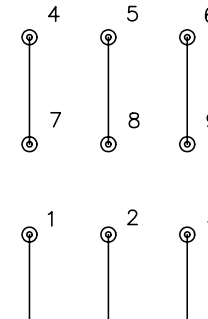


LOW VOLTAGE
(2Y)



LINE

HIGH VOLTAGE
(1Y)



LINE

NOTES:

1. INTERCHANGE ANY TWO LINE LEADS TO REVERSE ROTATION.
2. OPTIONAL THERMOSTATS ARE PROVIDED WHEN SPECIFIED.
3. ACTUAL NUMBER OF INTERNAL PARALLEL CIRCUITS MAY BE A MULTIPLE OF THOSE SHOWN ABOVE.
4. LEAD COLORS ARE OPTIONAL. LEADS MUST ALWAYS BE NUMBERED AS SHOWN.

REV. DESC: REVISE TO SHOW OPTIONAL COLORS			
REV. LTR: E	BY: JLP	REVISED: 01/19/99 10:15	TDR: 0171435
90000		FILE: AAA00005140	MDL: -
		MTL: -	

BALDOR ELECTRIC Co.

3PH, DV, 9 LEADS

CD0005