

BALDOR® • ***RELIANCE***

Product Information Packet

PCL3514M

1.5HP,1725RPM,1PH,60HZ,56C,3535LC,TEFC

Part Detail							
Revision:	AT	Status:	PRD/A	Change #:		Proprietary:	No
Type:	AC	Prod. Type:	3535LC	Elec. Spec:	35WGY860	CD Diagram:	CD0016A02
Enclosure:	TEFC	Mfg Plant:		Mech. Spec:	35K358	Layout:	35LYK358
Frame:	56C	Mounting:	F1	Poles:	04	Created Date:	
Base:	RG	Rotation:	R	Insulation:	B	Eff. Date:	03-17-2016
Leads:	7#18,1#14 #4TH					Replaced By:	
Literature:		Elec. Diagram:					

Nameplate NP1257L	
CAT.NO.	PCL3514M
SPEC.	35K358Y860
HP	1.5
VOLTS	115/230
AMP	14/6
RPM	1725
FRAME	56C
SER.F.	1.15
NEMA-NOM-EFF	82.5
RATING	40C AMB-CONT
CC	
DE	6205
ENCL	TEFC
CODE	J
PF	98
HZ	60
DES	L
CL	B
PH	1
ODE	6203
SN	
USABLE AT 208V	

Parts List		
Part Number	Description	Quantity
SA026329	SA 35K358Y860	1.000 EA
RA022379	RA 35K358Y860	1.000 EA
OC3035F09SP	CYL OIL CAP 35MFD/370V	1.000 EA
TPCRT40CA	THERMAL 1PH 1.00 MAN 105C	1.000 EA
EC1540A04	ELEC CAP, 540-648 MFD, 125V, 1.81D X 4.	1.000 EA
WD3006A01	RSS-2-103JT 2W 10K RES. METAL OXIDE 5%	1.000 EA
TP5059	GENERIC THERMAL KIT	1.000 EA
NS2512A01	INSULATOR, CONDUIT BOX X	1.000 EA
35CB3007A17	35 CB .88 DIA @ 6:00, 1.00 MTO @ 3:00	1.000 EA
36GS1000	GASKET-CONDUIT BOX, .06 THICK #SV-330 LE	1.000 EA
51XB1016A07	10-16 X 7/16 HXWSSLD SERTYB	2.000 EA
HA6015A02	THERMAL RETAINER (PLATED)	1.000 EA
NS2500A02	INSULATOR, MAN THER PROT	1.000 EA
51XB1214A10	12-14 X 5/8HX WS SL SR TYBX	2.000 EA
11XW1032G06	10-32 X .38, TAPTITE II, HEX WSHR SLTD U	1.000 EA
51XW0832A07	8-32 X .44, TAPTITE II, HEX WSHR SLTD SE	2.000 EA
35EP3100M02	FREP TEFC 203 BRG W/O GRSR (RAISED FH MT	1.000 EA
NS2501A02	INSULATOR, CAPACITOR BOX	1.000 EA
35CB3801	CAPACITOR COVER, CAST	1.000 EA
34GS3002	GASKET, CAPACITOR BOX	1.000 EA
51XB1016A08	10-16X 1/2HXWSSLD SERTYB	2.000 EA
HA7010	CAPACITOR RETENTION CLAMP	1.000 EA
HW5100A03SP	WAVY WASHER (W1543-017)	1.000 EA
35EP3300A33	SPL FACE MTD EP -ENCL-205 BRG	1.000 EA

Parts List (continued)		
Part Number	Description	Quantity
51XN1032A20	10-32 X 1 1/4 HX WS SL SR	2.000 EA
35FN3002A05	EXFN, PLASTIC, 6.376 OD, .638 ID	1.000 EA
51XB1214A16	12-14X1.00 HXWSSLD SERTYB	1.000 EA
51XW1032A06	10-32 X .38, TAPTITE II, HEX WSHR SLTD S	3.000 EA
35CB4521GX	CONDUIT BOX LID KIT	1.000 EA
51XW0832A07	8-32 X .44, TAPTITE II, HEX WSHR SLTD SE	4.000 EA
HW2501D13	KEY, 3/16 SQ X 1.375	1.000 EA
HA7000A04	KEY RETAINER 0.625 DIA SHAFTS	1.000 EA
85XU0407S04	4X1/4 U DRIVE PIN STAINLESS	2.000 EA
WD1000A15	3-520132-2 AMP FLAG (4M/RL NON-CANC/NON-	2.000 EA
MJ1000A02	GREASE, POLYREX EM EXXON (USe 4824-15A)	0.050 LB
35FH4005A32SP	IEC FH NO GRSR W/3 HOLES - PRIMED	1.000 EA
MG1000G27	MED CHARCOAL METALLIC GREY 400-0096	0.017 GA
LC0016	CONNECTION LABEL	1.000 EA
HA3100A18	THRUBOLT 10-32 X 9.250	4.000 EA
SP5181A03	MODEL 35 LC TORQ STAT SWITCH LEAD ASSY	1.000 EA
LB1087	LABEL,MANUAL RESET (ROLL LABEL)	1.000 EA
LB1119N	WARNING LABEL	1.000 EA
MN416A01	TAG-INSTAL-MAINT no wire (1200/bx) 11/14	1.000 EA
NP1257L	ALUM UL CSA CC THERMAL REV MTG	1.000 EA
36PA1000	PKG GRP, PRINT PK1016A06	1.000 EA

AC Induction Motor Performance Data

Record # 10348 - Typical performance - not guaranteed values

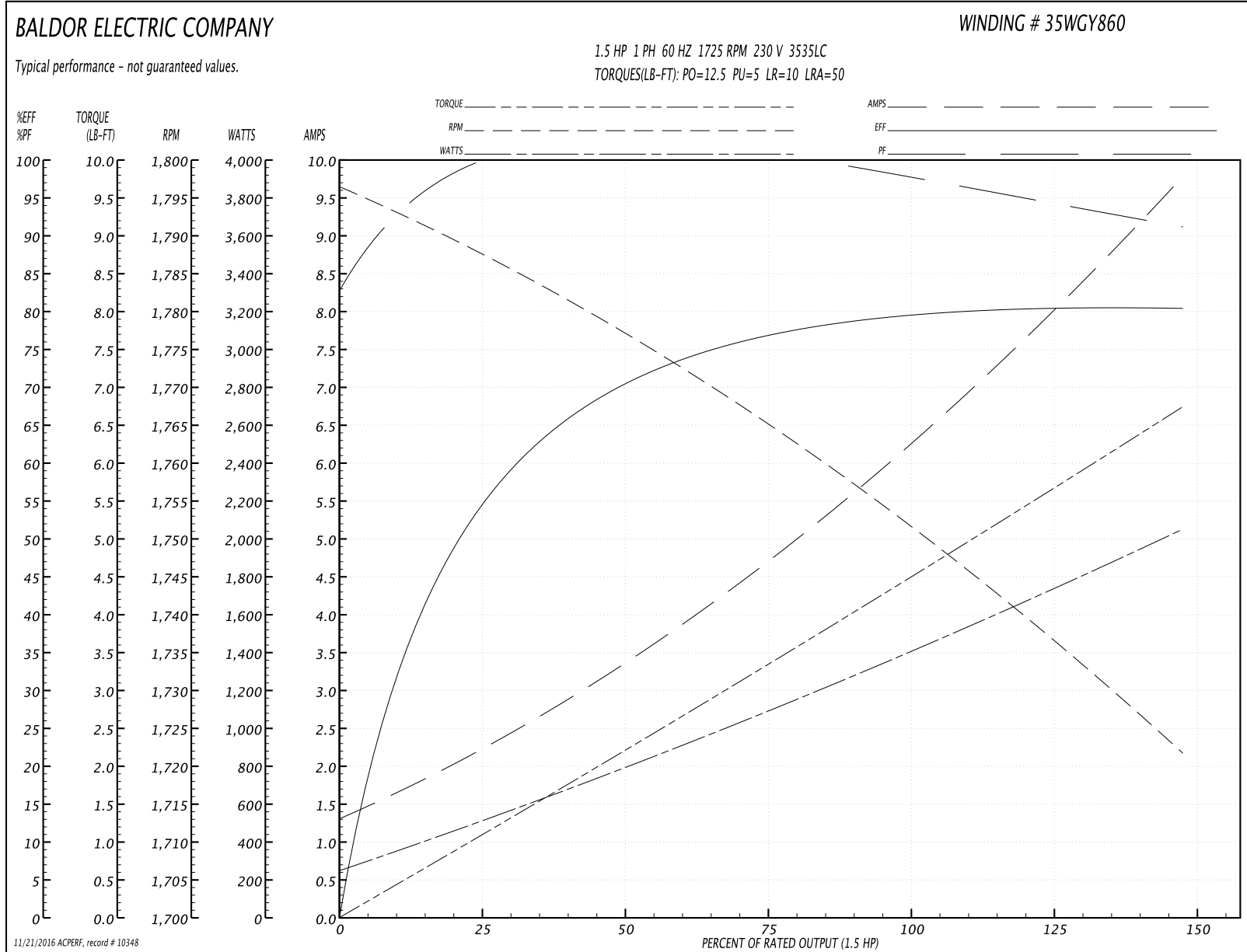
Winding: 35WGY860-R001	Type: 3535LC	Enclosure: TEFC
-------------------------------	---------------------	------------------------

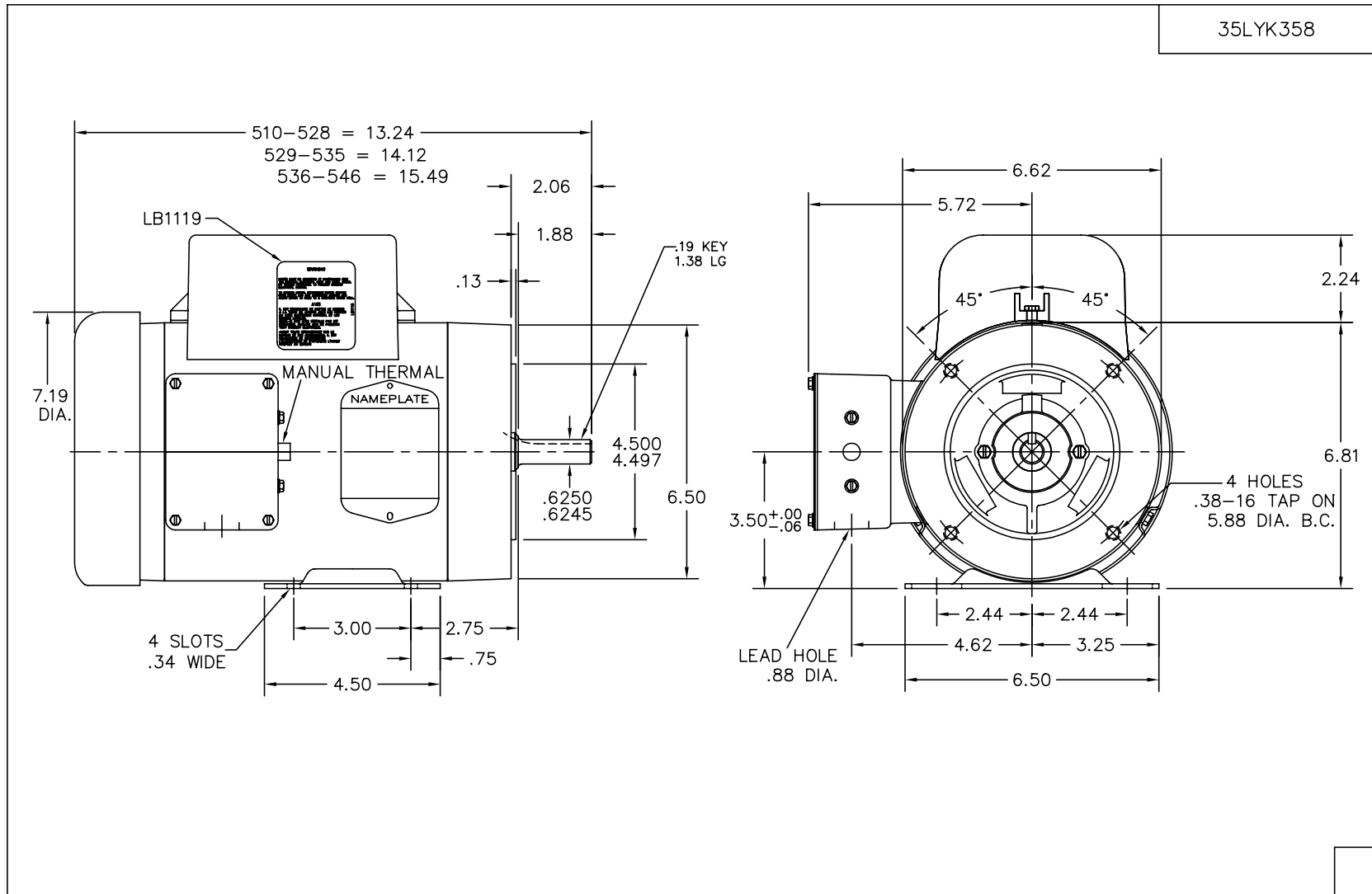
Nameplate Data				230 V, 60 Hz: High Voltage Connection	
Rated Output (HP)	1.5			Full Load Torque	4.5 LB-FT
Volts	115/230			Start Configuration	direct on line
Full Load Amps	14/6			Breakdown Torque	12.5 LB-FT
R.P.M.	1725			Pull-up Torque	5 LB-FT
Hz	60	Phase	1	Locked-rotor Torque	10 LB-FT
NEMA Design Code	L	KVA Code	J	Starting Current	50 A
Service Factor (S.F.)	1.15			No-load Current	1.3 A
NEMA Nom. Eff.	82.5	Power Factor	98	Line-line Res. @ 25°C	1.7 Ω A Ph 2.03 Ω B Ph
Rating - Duty	40C AMB-CONT			Temp. Rise @ Rated Load	60°C
S.F. Amps				Temp. Rise @ S.F. Load	66°C

Load Characteristics 230 V, 60 Hz, 1.5 HP

% of Rated Load	25	50	75	100	125	150	S.F.
Power Factor	97	99	99	97	94	92	95
Efficiency	54	70	77	80	81	80	80.6
Speed	1787	1776	1765	1752	1738	1721	1744
Line amperes	2.3	3.3	4.8	6.3	7.9	9.8	7.26

Performance Graph at 230V, 60Hz, 1.5HP Typical performance - Not guaranteed values

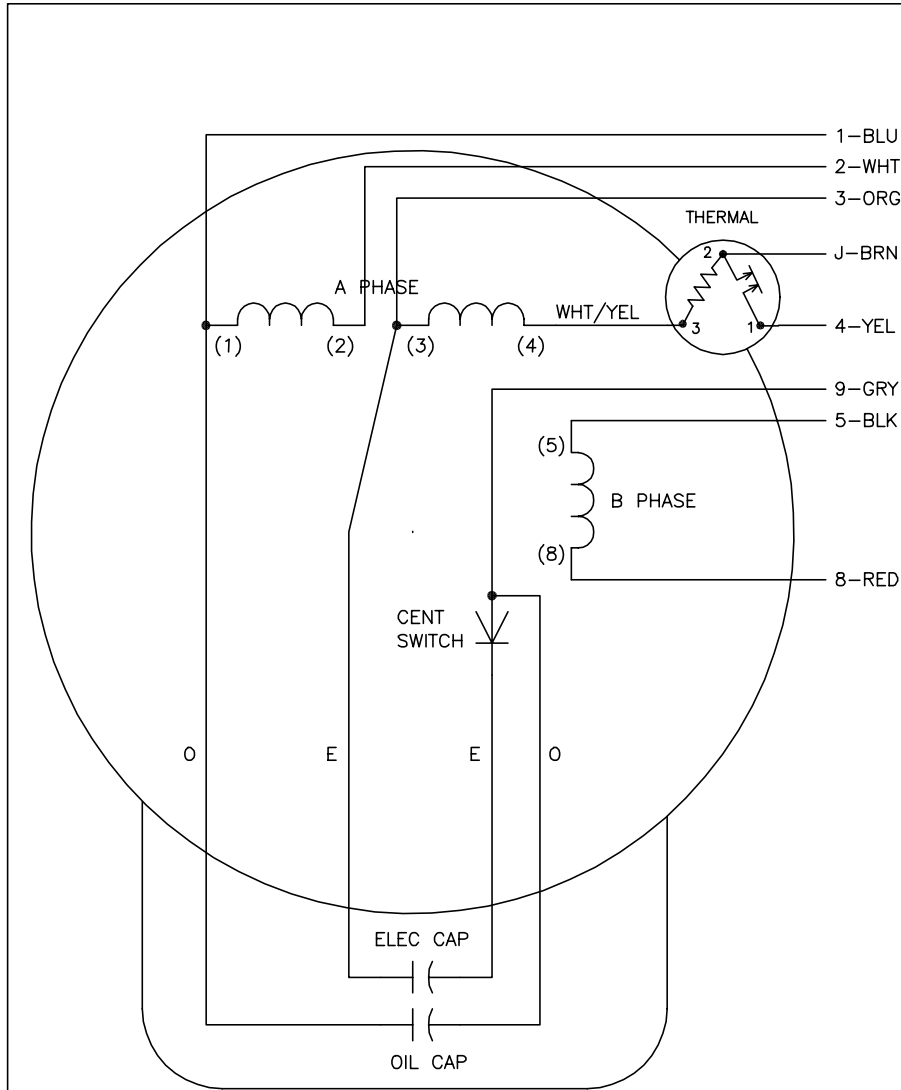




CUST. NAME		CUST. P.O.		CERTIFIED BY		MODEL		INSUL		AMB							
H.P.		MTG		TYPE		R.P.M.		VOLTS		ENCL		PHASE		FREQ		FRAME	
REV. DESC: REVISED OVER ALL DIM (SEE EC09)												BALDOR ELECTRIC Co.					
REV. LTR: F		BY: JED		REVISED: 04/26/99 9:33				TDR: 0179889									
859XJ798				FILE: AAA00015433				MDL: -									
MTL: -												HORZ 35LC 56C TEFC FACE MTD					

35LYK358

CD0016A02



	LINE A	LINE B	JOIN	JOIN	JOIN
HIGH STD	1	4	2,3	8,9	J,5
HIGH OPP	1	4	2,3	5,9	J,8
LOW STD	1,3	4	8,9	2,J,5	-
LOW OPP	1,3	4	5,9	2,J,8	-

NOTES:

1. STANDARD ROTATION IS CCW FACING END OPPOSITE SHAFT EXTENSION.
2. MULTIPLE CAPACITORS ARE CONNECTED IN PARALLEL UNLESS OTHERWISE SPECIFIED.
3. LEAD COLORS ARE OPTIONAL. LEADS MUST ALWAYS BE NUMBERED AS SHOWN.

REV. DESC: REMOVE OPTIONAL THERMAL CONNECTION		
REV. LTR: F	VERSION: 01	TDR: 000000373039
Z0V910003	FILE: \AAA\00007\411	REVISED: 10:13:25 08/11/2005
CD0016A02	MTL: -	BY: ENJOEPO

BALDOR ELECTRIC Co.

TYPE LC, DV, REV, OIL CAP ACR. LINE, THERMAL, 8 LEADS

CD0016A02