

# **BALDOR**® • **RELIANCE**

## **Product Information Packet**

# **SUL50154SM**

**1.50HP,1800RPM,1PH,60HZ,180TY,TENV,FOOT**

Part Detail							
Revision:	A	Status:	PRD/A	Change #:		Proprietary:	No
Type:	AC	Prod. Type:		Elec. Spec:	A00081-A-A002	CD Diagram:	
Enclosure:	TENV	Mfg Plant:		Mech. Spec:		Layout:	066930-020
Frame:	180TY	Mounting:	V1	Poles:	04	Created Date:	04-09-2015
Base:		Rotation:	R	Insulation:	F	Eff. Date:	11-17-2016
Leads:						Replaced By:	
Literature:		Elec. Diagram:					

Nameplate 000613007AC		
CLASS I GROUP	C D X	NO. <input type="text"/>
CLASS II GROUP	X X X	
OPERATING TEMP CODE	T3C	

<b>Nameplate 000613007MN</b>									
<b>CAT NO</b>	SUL50154SM		<b>SPEC NO.</b>	C18G2731					
<b>HP</b>	1.5	<b>AMPS</b>	21.2/10.6		<b>VOLTS</b>	115/230		<b>DESIGN</b>	L
<b>FRAME SIZE</b>	X180TY	<b>RPM</b>	1735		<b>HZ</b>	60	<b>AMB</b>	40	
<b>D.E. BRG.</b>	50BC02JPP30A		<b>PH</b>	1		<b>DUTY</b>	15MIN		
<b>O.D.E. BRG.</b>	25BC02JPG30A		<b>TYPE</b>	CS		<b>ENCL</b>	TENV		
			<b>POWER FACTOR</b>						
			<b>MAX CORR KVAR</b>						
			<b>NEMA NOM/CSA QUOTED EFF @</b>						
<b>SER.NO.</b>			<b>MOTOR WEIGHT</b>	250		<b>LBS.</b>		<b>GUARANTEED EFFICIENCY</b>	
								<b>100% LOAD</b>	
	*15 MIN IN AIR ;SUB. IN								
	SEWAGE / WATER ONLY ONLY;								
	FINAL CONN@230V MAXDEPTH IN								

<b>Nameplate 000613007MR</b>									
<b>CAT NO</b>	SUL50154SM		<b>SPEC NO.</b>	C18G2731					
<b>HP</b>	1.5	<b>AMPS</b>	21.2/10.6		<b>VOLTS</b>	115/230		<b>DESIGN</b>	L
<b>FRAME SIZE</b>	X180TY	<b>RPM</b>	1735		<b>HZ</b>	60	<b>AMB</b>	40	
<b>D.E. BRG.</b>	50BC02JPP30A		<b>PH</b>	1		<b>DUTY</b>	15MIN		
<b>O.D.E. BRG.</b>	25BC02JPG30A		<b>TYPE</b>	CS		<b>ENCL</b>	TENV		
			<b>POWER FACTOR</b>						
			<b>MAX CORR KVAR</b>						
			<b>NEMA NOM/CSA QUOTED EFF @</b>						
<b>SER.NO.</b>			<b>MOTOR WEIGHT</b>	250		<b>LBS.</b>		<b>GUARANTEED EFFICIENCY</b>	
								<b>100% LOAD</b>	
	*15 MIN IN AIR ;SUB. IN								
	SEWAGE / WATER ONLY ONLY;								
	FINAL CONN@230V MAXDEPTH IN								

<b>Nameplate 000692000MB</b>	
MANUAL CW ROT	
C18G2731A	

Parts List		
Part Number	Description	Quantity
SA297498	SA C18G2731	1.000 EA
RA284467	RA C18G2731	1.000 EA
000613000FX	ROTATION NAMEPLATE, STAINLESS STEEL	1.000 EA
000613007AC	UL NAMEPLATE FOR HAZARDOUS LOCATIONS	1.000 EA
000613007MN	NP,MEDIUM AC,NO CERT,STD INDUSTRIAL	1.000 EA
000613007MR	NP, MEDIUM AC, CSA, STD INDUSTRIAL	1.000 EA
000692000EJ	NAME PLATE	1.000 EA
000901001AA	LABEL WARNING	1.000 EA
424476003ZA	WIRING DIAGRAM MEDIUMA	1.000 EA
424476003ZA	WIRING DIAGRAM MEDIUMA	1.000 EA
000692000MB	BALDOR RELIANCE MOTOR DATA NAMEPLATE	1.000 EA
034692002AE	HCSPP 1/4" 304 S.S.	1.000 EA
004824015A	GREASE POLYREX EM	0.100 LB
032018010CG	HHCS 3/8-16X1-1/4L 316SS	4.000 EA
032130008CC	HSHCS 3/8-16 X 1.00" L	4.000 EA
032620020JD	HSSS 10-24X5/8L 304S.S.	1.000 EA
034692003AE	PPLG 3/8" 304 S.S.	2.000 EA
047174005B	SNAP RING	1.000 EA
047174005C	SNAP RING	1.000 EA
064262012B	SEAL	1.000 EA
064262012C	SEAL	1.000 EA
088204001AA	BRKT,DE,180SUB 88204-1WA	1.000 EA
088205002A	SUB PLT 180 88205-2WCB	1.000 EA
413412004A	SUBM MOISTURE PROBE	2.000 EA

Parts List (continued)		
Part Number	Description	Quantity
413412005R	LEAD WIRE ASSY(BLANKET	1.000 EA
413480001R	RESISTOR ASSEMBLY-BLANKET	1.000 EA
421900124FU	ORING	1.000 EA
421900124FU	ORING	1.000 EA
603760001AA	LABYRINTH	1.000 EA
032018006BM	HHCS 5/16-18X3/4 PLTGRN.	1.000 EA
032018006BM	HHCS 5/16-18X3/4 PLTGRN.	1.000 EA
034036013AB	LCKW 5/16 EXT.TOOTH LCKW	1.000 EA
047024003AH	T/LUG AMP 34112	4.000 EA
032018008BG	HHCS 5/16-18X1 BRASS-447	4.000 EA
032080003LB	HWHMS 1/4-20X3/8L PLTED	6.000 EA
032080003JB	HWHMS 10-24X3/8L PLTED	4.000 EA
415031017A	NUT W/WASHER 10-24 C.PLT	4.000 EA
415031017B	NUT W/WASHER1/4-20 C.P	6.000 EA
701455002BN	CONTROL BOX	1.000 EA
047024017A	QUICK CONN. 19008-002	2.000 EA
047024003B	T/LUG AMP 33218	9.000 EA
421900072FU	ORING	1.000 EA
609181014D	HEAT SHRINK TUBING 3/4	10.000 EA
700385017F	CCA #8 25' 180	1.000 EA
004824007K	SPECIAL PAINT	0.100 EA
033775004EA	DRSCR #6-1/4 304 S.S.	4.000 EA
034180008CD	3/16 SQ. X 1IN. KEY	1.000 EA
032375012GB	HSOSS 6-32X1-1/2~ PLATED	4.000 EA

Product Information Packet: SUL50154SM - 1.50HP,1800RPM,1PH,60HZ,180TY,TENV,FOOT

034017007AB	LCKW NO.6 PLATED	4.000 EA
088203012A	BRKT,ODE,180SUB	1.000 EA
411140000AA	SWITCH ASSY SUBMERSIBLE	2.000 EA
413412007R	LEAD WIRE SWITCH	2.000 EA
421900124FU	ORING	1.000 EA
004824018AF	SHELL ROTELLA OIL 10W	1.500 LB
032018006AG	HHCS 1/4-20X3/4L 316 SS	3.000 EA
032018010CG	HHCS 3/8-16X1-1/4L 316SS	4.000 EA
000901001AA	LABEL WARNING	1.000 EA
B3630-9	SUBM THERMOSTAT TAG	1.000 EA
B-3664002	TAG, (NON REGREASABLE)	1.000 EA

REL. S.O.	FRAME	HP	TYPE	PHASE/ HERTZ	HPM	VOLTS
-	180TY	1.5	CS	1/60	1735	115
AMPS	DUTY	AMB °C/ INSTL.	S.F.	NEMA DESIGN	CODE LETTER	ENCL.
21	*	40/F	1.15	-	M	SUB
E/S	ROTOR	TEST S.O.	TEST DATE	STATOR RES. @25 °C OHMS (BETWEEN LINES)		
-	418424-50BE	-	-	.2925/1.698		

PERFORMANCE


LOAD	HP	AMPERES	REV	INPUT KW	% POWER FACTOR	% EFFICIENCY
NO LOAD	0	11.0	1800	.486	38.5	0
1/4	.38	13.8	1776	.771	48.4	36.3
2/4	.75	15.8	1764	1.09	60.2	51.3
3/4	1.12	18.2	1750	1.43	68.2	58.7
4/4	1.50	21.2	1734	1.79	73.6	62.5
5/4	1.88	24.6	1717	2.18	77.1	64.2

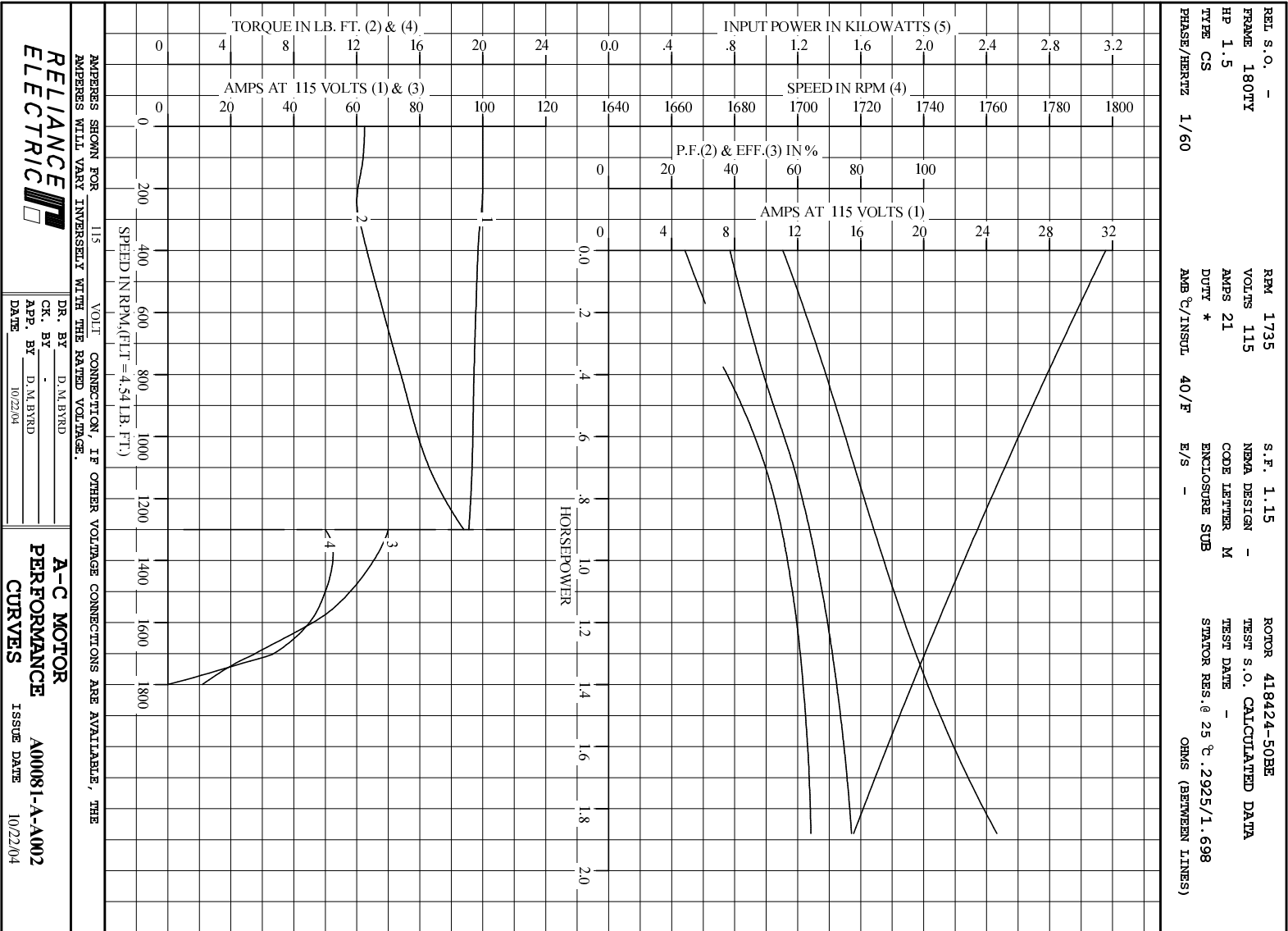
SPEED TORQUE

	RPM	TORQUE % FULL LOAD	TORQUE LB.-FT.	AMPERES
LOCKED ROTOR	0	275	12.5	100
PULL UP	1300	220	10.0	70.0
BREAKDOWN	1368	231	10.5	67.2
FULL LOAD	1734	100	4.54	21.0

AMPERES SHOWN FOR 115. VOLT CONNECTION. IF OTHER VOLTAGE CONNECTIONS ARE AVAILABLE, THE AMPERES WILL VARY INVERSELY WITH THE RATED VOLTAGE

REMARKS : CALCULATED DATA  
\*15 MIN IN AIR CONT IN LIQUID

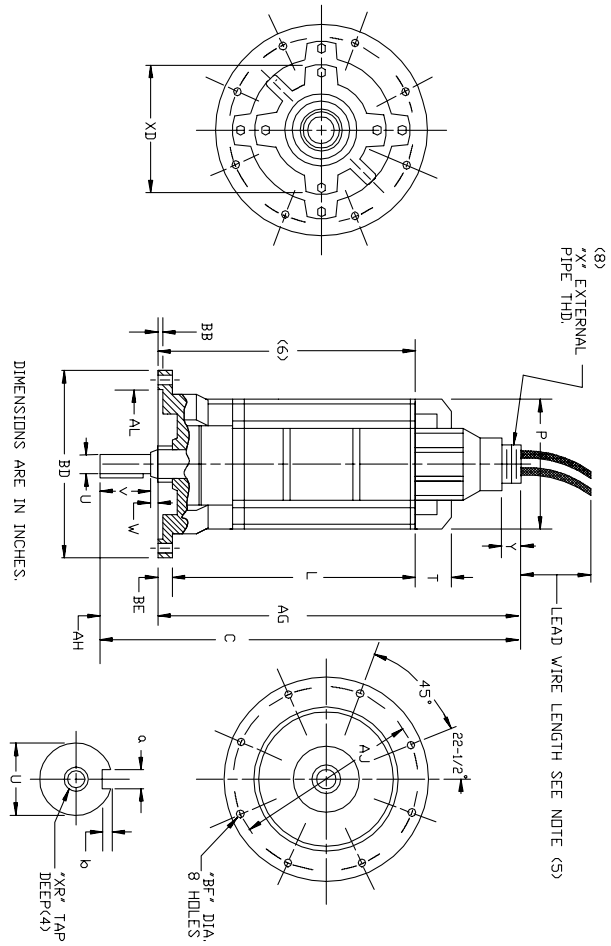
	DR. BY	D. M. BYRD	<b>A-C MOTOR PERFORMANCE DATA</b> A00081-A-A002 ISSUE DATE 10/22/04
	CK. BY	-	
	APP. BY	D. M. BYRD	
DATE		10/22/04	



Printed on 4/22/07 20:26 @ psacs-motoreng

066930-020

**DUTY MASTER ALTERNATING CURRENT MOTORS**  
 SQUIREL-CAGE INDUCTION  
 ENCLOSURE: TOTALLY ENCLOSED  
 SUBMERSIBLE  
 ONE SIZE SMALLER FLANGE AND SHAFT  
 FRAMES 180TY THRU 210TY



DIMENSIONS ARE IN INCHES.

FRAME	C	L	P	T	UC(3)	V	W	AG	AH	AJ	AL(7)
180TY	25.94	16.50	9.62	2.25	.8750	1.25	.31	24.38	1.56	10.00	9.125
210TY	32.41	21.12	11.50	2.25	1.2500	2.00	.28	30.12	2.28	11.50	10.625

FRAME	BD(2)	BE	BF	XR(4)	LEAD CONNECTION			B.E. KEYWAY				
					X	Y	XD	a	b	LENGTH	WEIGHT	
180TY	11.062	.75	1.44	3/8-16	2-1/2-8	1.25	6/75	.12	1.87	.09	1.12	200
210TY	12.375	.75	1.56	1/2-13	2-1/2-8	1.25	7/75	.12	2.50	.12	1.12	315

- (1) SPECIAL DIMENSIONS ON THIS LINE.
- (2) \*BD\* VARIES ± .010
- (3) \*U\* VARIES +.0000, -.0005
- (4) TAP DEPTH ON 180TY THRU 210TY IS .138
- (5) LEAD WIRE LENGTH AS SPECIFIED ON CERTIFICATION
- (6) MINIMUM SUBMERGED DEPTH.
- (7) \*AL\* VARIES +.004, -.000
- (8) 3" - 8 PIPE THREAD SUPPLIED WITH CABLE SIZES NO. 4 AND LARGER.

CUSTOMER IS RESPONSIBLE FOR DETERMINING THAT BALDOR'S PRODUCT WILL PERFORM SUITABLY IN THE INTENDED APPLICATION.

REV. DESC: LOAD TO BUS	VERSION: 00	TDR: 000000925374
REV. LTR: -	REvised: 08:11:59 05/14/2015	BY: RGGWT
FILE: \RGG\00025\093		
MTL: -		

**BALDOR**

DIM SHT,180TY THRU 210TY,SUBMERSIBLE,1 SIZE SMALLER FLG/SH

SH 1 of 1

020-066930

Marketing maintained PDF of MN414:

<http://www.baldor.com/support/Literature/Load.ashx/MN414?ManNumber=MN414>

