

# **BALDOR**® • ***RELIANCE***

## **Product Information Packet**

# **VHEM3212T**

**5HP,3440RPM,3PH,60HZ,184HP,0624M,ODP,W6**

Part Detail							
Revision:	C	Status:	PRD/A	Change #:		Proprietary:	No
Type:	AC	Prod. Type:	0624M	Elec. Spec:	06WGY461	CD Diagram:	CD0005
Enclosure:	ODP	Mfg Plant:		Mech. Spec:	06F867	Layout:	06LYF867
Frame:	184HP	Mounting:	W6	Poles:	02	Created Date:	07-07-2015
Base:	N	Rotation:	R	Insulation:	F	Eff. Date:	08-15-2016
Leads:	9#16					Replaced By:	
Literature:		Elec. Diagram:					

Nameplate NP1267L													
CAT.NO.	VHEM3212T												
SPEC.	06F867Y461G1												
HP	5												
VOLTS	230/460												
AMP	11.3/5.6												
RPM	3440												
FRAME	184HP					HZ	60			PH	3		
SER.F.	1.15					CODE	J		DES	B		CL	F
NEMA-NOM-EFF	86.5					PF	93						
RATING	40C AMB-CONT												
CC	010A									USABLE AT 208V	12.6		
DE	6308					ODE	6205						
ENCL	ODP					SN							

Parts List		
Part Number	Description	Quantity
SA303718	SA 06F867Y461G1	1.000 EA
RA290860	RA 06F867Y461G1	1.000 EA
HW3201A05	3/8-16 EYEBOLT	1.000 EA
06CB3000B01	SPL KO BOX MACH. W/.75 N.P.T.	1.000 EA
06GS1000	GASKET,CONDUIT BOX	1.000 EA
51XW2520A12	SCREW, HEX SER SLT HD, ZN, 1/4-20 X .75	4.000 EA
WD1000B17	T&B CX35TN TERMINAL	1.000 EA
10XN2520G06	1/4 20X3/8 HX HD CAP, GREEN	1.000 EA
HW1001A25	LOCKWASHER 1/4, ZINC PLT .493 OD, .255 I	1.000 EA
06EP1200A01	FREP MACH OPEN	1.000 EA
10XN2520A44	1/4 -20 X 2 3/4 HS WS SL SR	4.000 EA
HW1001A25	LOCKWASHER 1/4, ZINC PLT .493 OD, .255 I	4.000 EA
HW4500A03	GREASE FITTING, .125 NPT 1610(ALEMITE) 8	1.000 EA
HW4500A17	317400 ALEMITE GREASE RELIEF	1.000 EA
06AD2000G	AIR DEFLECTOR, 306 OPEN, GREY EPOXY POWD	1.000 EA
51XT0832A08	8-32 X 1/2 TY23 HXWS SLDSR	3.000 EA
HW1001A08	WASHER, #8 SPLT LK, ZN	3.000 EA
HW5100A05	WVY WSHR F/205 & 304 BRGS	1.000 EA
10XN2520A56	1/4-20X 3 1/2 HEX HD CAP X	2.000 EA
HW1001A25	LOCKWASHER 1/4, ZINC PLT .493 OD, .255 I	2.000 EA
06EP1503A02	SPL PU E.P. MACH, W/6308 BRG.	1.000 EA
HW4600A47	CR#13535--NAT#472354 OR TRANSCOM	1.000 EA
10XN2520A36	1/4-20X 2 1/4 HEX HD X	4.000 EA
HW1001A25	LOCKWASHER 1/4, ZINC PLT .493 OD, .255 I	4.000 EA

<b>Parts List (continued)</b>		
<b>Part Number</b>	<b>Description</b>	<b>Quantity</b>
HW4500A03	GREASE FITTING, .125 NPT 1610(ALEMITE) 8	1.000 EA
HW4500A17	317400 ALEMITE GREASE RELIEF	1.000 EA
HW4500A20	1/8NPT SL PIPE PLUG	1.000 EA
06CB3500	BALDOR CONDUIT BOX LID	1.000 EA
06GS1001	BALDOR CONDUIT BOX GASKET	1.000 EA
51XW2520A12	SCREW, HEX WS SLT, ZN	2.000 EA
HW1001A25	LOCKWASHER 1/4, ZINC PLT .493 OD, .255 I	2.000 EA
06FH1500A01	DRIP COVER FOR 306 OPEN	1.000 EA
HW3201A15	.38-16 EYEBOLT W/1.25 SHANK	2.000 EA
HW1000A38	WASHER, 3/8" FLAT, SAE Z/P	2.000 EA
HW4600C51	31X39X7.5MM FACE SEAL FOR 1.375 DIA. SH	1.000 EA
HW2501E16	3KEY, 1/4 SQ X 1.750	1.000 EA
HA7000A02	KEY RETAINER RING, 1 1/8 DIA, 1 3/8 DIA	1.000 EA
LB1386	WARNING LABEL FOR MOTORS WITH EYENUTS	1.000 EA
85XU0407S04	4X1/4 U DRIVE PIN STAINLESS	2.000 EA
LB1115N	LABEL,LIFTING DEVICE (ON ROLLS)	1.000 EA
MJ1000A02	GREASE, POLYREX EM EXXON (USe 4824-15A)	0.050 LB
MG1025G29	WILKOFASST, 789.229, DARK CHARCOAL GRAY	0.028 GA
LC0005E01	CONN.DIA./WARNING LABEL (LC0005/LB1119N)	1.000 EA
NP1267L	SS SUPER-E LASER BLANK	1.000 EA
07PA1011	PKG GRP, 07 CAST IRON PK1181	1.000 EA
MN416A01	TAG-INSTAL-MAINT no wire (1200/bx) 11/14	1.000 EA

**AC Induction Motor Performance Data**

Record # 51679 - Typical performance - not guaranteed values

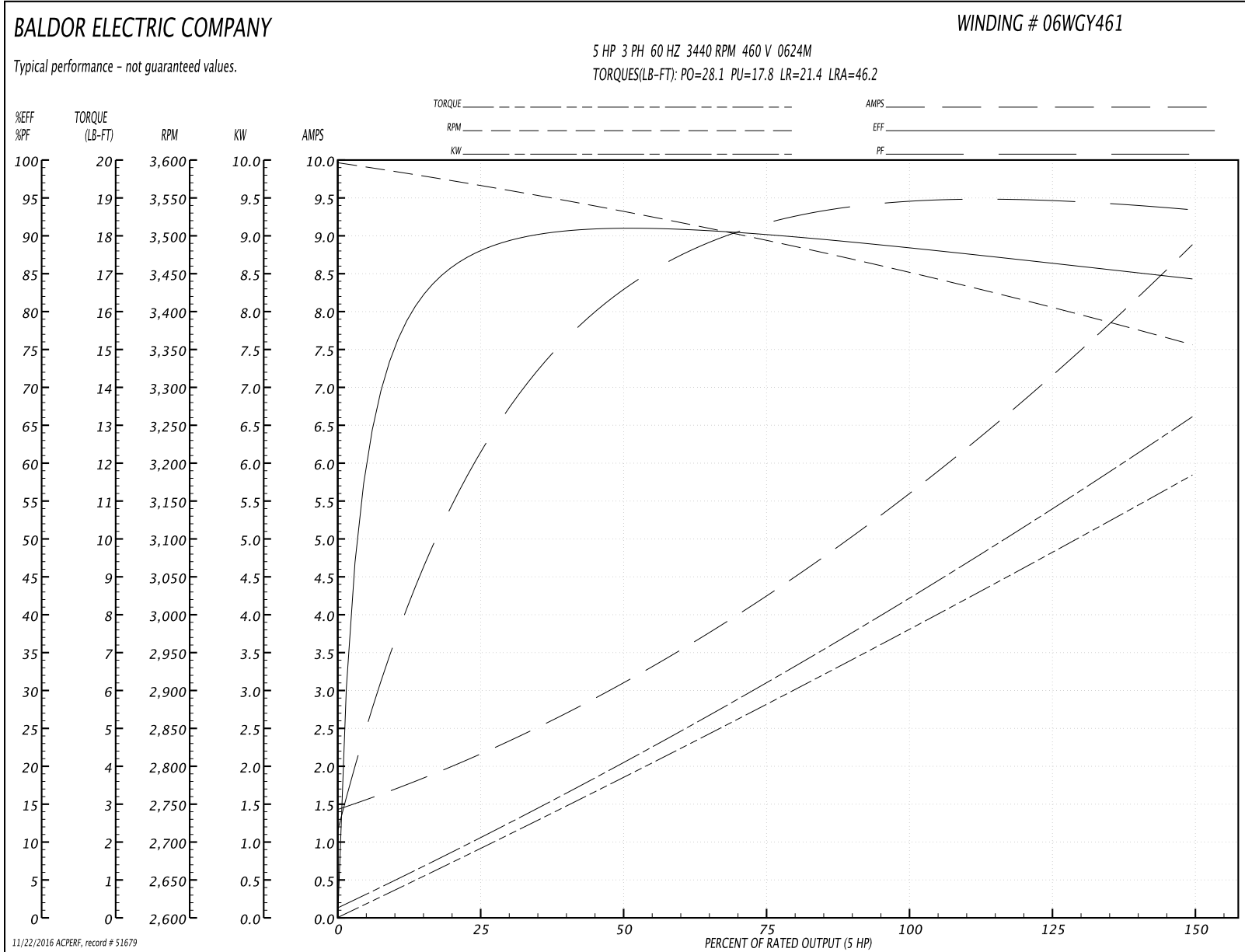
<b>Winding:</b> 06WGY461-R001	<b>Type:</b> 0624M	<b>Enclosure:</b> ODP
-------------------------------	--------------------	-----------------------

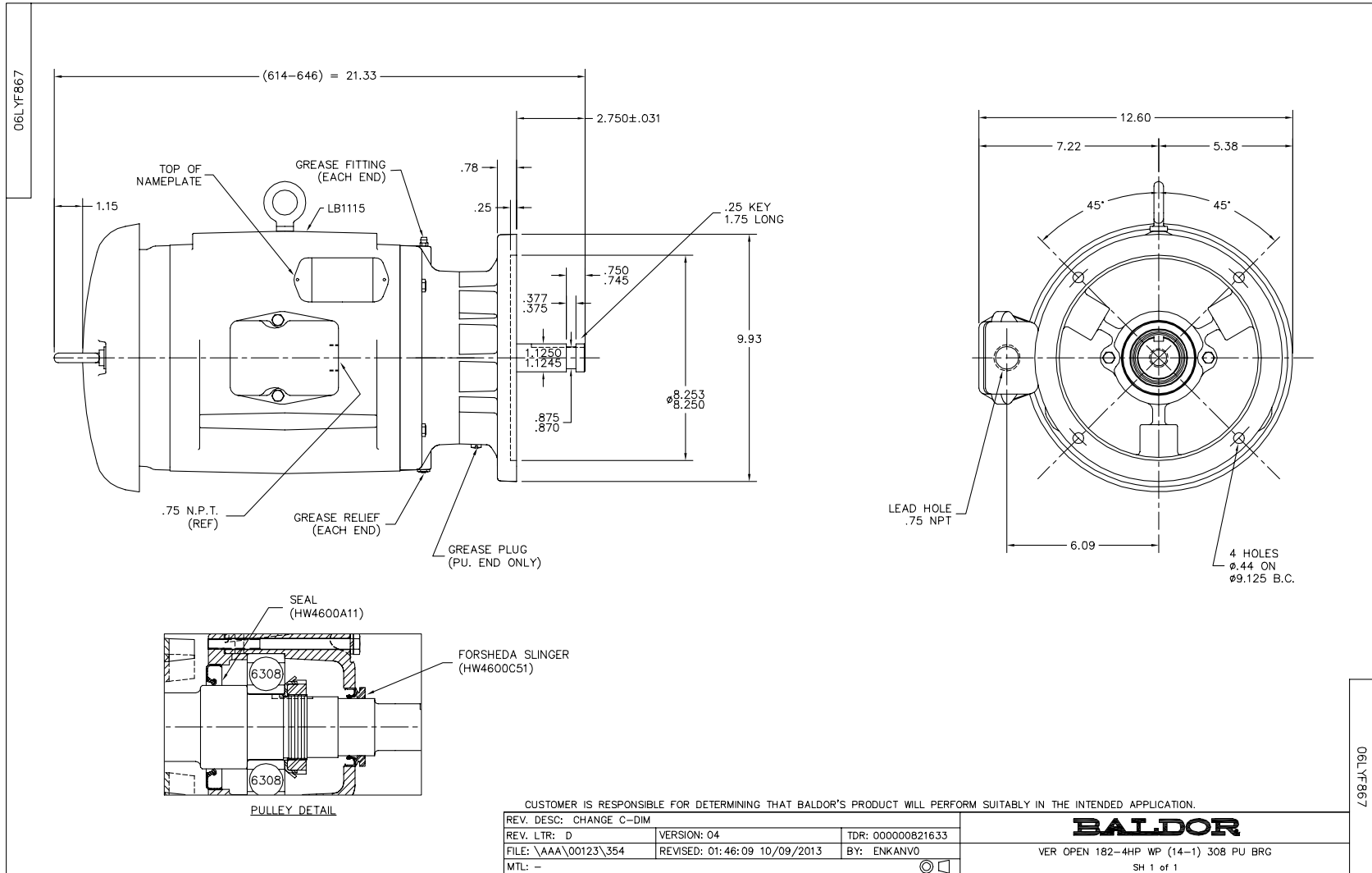
Nameplate Data				460 V, 60 Hz: High Voltage Connection	
Rated Output (HP)	5			Full Load Torque	7.62 LB-FT
Volts	230/460			Start Configuration	direct on line
Full Load Amps	11.3/5.6			Breakdown Torque	28.1 LB-FT
R.P.M.	3440			Pull-up Torque	17.8 LB-FT
Hz	60	Phase	3	Locked-rotor Torque	21.4 LB-FT
NEMA Design Code	B	KVA Code	J	Starting Current	46.2 A
Service Factor (S.F.)	1.15			No-load Current	1.53 A
NEMA Nom. Eff.	86.5	Power Factor	93	Line-line Res. @ 25°C	3.22 Ω
Rating - Duty	40C AMB-CONT			Temp. Rise @ Rated Load	61°C
S.F. Amps				Temp. Rise @ S.F. Load	78°C
				Locked-rotor Power Factor	47.9
				Rotor inertia	0.107 LB-FT <sup>2</sup>

Load Characteristics 460 V, 60 Hz, 5 HP

% of Rated Load	25	50	75	100	125	150	S.F.
Power Factor	66	85	91	93	94	94	94
Efficiency	87.4	90.5	90.1	88.7	86.7	84.2	87.5
Speed	3566	3532	3493	3452	3408	3355	3426
Line amperes	2.03	3.03	4.31	5.68	7.16	8.83	6.57

Performance Graph at 460V, 60Hz, 5.0HP Typical performance - Not guaranteed values





CD0005



LOW VOLTAGE  
(2Y)



LINE

HIGH VOLTAGE  
(1Y)



LINE

NOTES:

1. INTERCHANGE ANY TWO LINE LEADS TO REVERSE ROTATION.
2. OPTIONAL THERMOSTATS ARE PROVIDED WHEN SPECIFIED.
3. ACTUAL NUMBER OF INTERNAL PARALLEL CIRCUITS MAY BE A MULTIPLE OF THOSE SHOWN ABOVE.
4. LEAD COLORS ARE OPTIONAL. LEADS MUST ALWAYS BE NUMBERED AS SHOWN.

REV. DESC: REVISE TO SHOW OPTIONAL COLORS			
REV. LTR: E	BY: JLP	REVISED: 01/19/99 10:15	TDR: 0171435
9000D		FILE: AAA00005140	MDL: -
		MTL: -	

**BALDOR ELECTRIC Co.**

3PH, DV, 9 LEADS

CD0005