

BALDOR® • RELIANCE

Product Information Packet

VL3515-50

2HP,2850RPM,1PH,50HZ,56C,3535LC,TEFC,F1

Part Detail							
Revision:	AX	Status:	PRD/A	Change #:		Proprietary:	No
Type:	AC	Prod. Type:	3535LC	Elec. Spec:	35WGY963	CD Diagram:	CD0055
Enclosure:	TEFC	Mfg Plant:		Mech. Spec:	35E022	Layout:	35LYE022
Frame:	56C	Mounting:	F1	Poles:	02	Created Date:	06-21-2007
Base:	N	Rotation:	R	Insulation:	F	Eff. Date:	06-24-2016
Leads:	4#16 A PH,2#18 B PH					Replaced By:	
Literature:		Elec. Diagram:					

Nameplate NP1372L										
CAT.NO.	VL3515-50									
SPEC.	35E22Y963									
HP	2									
VOLTS	110/220									
AMP	19.4/9.7									
RPM	2850									
FRAME	56C				HZ	50			PH	1
SER.F.	1.15		CODE	G	DES	L		CL	F	
NEMA-NOM-EFF	77		PF	96						
RATING	40C AMB-CONT									
CC									USABLE AT 208V	
DE	6205				ODE	6203				
ENCL	TEFC		SN							
	IP54									

Parts List		
Part Number	Description	Quantity
SA023819	SA 35E22Y963	1.000 EA
RA019869	RA 35E22Y963	1.000 EA
OC3050C09	CYL OIL CAP 50MFD/240V	1.000 EA
EC1540A06SP	ELEC CAP, 540-648 MFD, 125V, 2.06D X 4.	1.000 EA
WD3006A01	RSS-2-103JT 2W 10K RES. METAL OXIDE 5%	1.000 EA
NS2512A01	INSULATOR, CONDUIT BOX X	1.000 EA
35CB3007	35 CB CASTING W/.88 DIA. LEAD HOLE	1.000 EA
36GS1000	GASKET-CONDUIT BOX, .06 THICK #SV-330 LE	1.000 EA
51XB1016A07	10-16 X 7/16 HXWSSLD SERTYB	2.000 EA
11XW1032G06	10-32 X .38, TAPTITE II, HEX WSHR SLTD U	1.000 EA
35EP3100M02	FREP TEFC 203 BRG W/O GR SR (RAISED FH MT	1.000 EA
51XW0832A07	8-32 X .44, TAPTITE II, HEX WSHR SLTD SE	2.000 EA
35CB3801	CAPACITOR COVER, CAST	1.000 EA
34GS3002	GASKET, CAPACITOR BOX	1.000 EA
HA7010	CAPACITOR RETENTION CLAMP	1.000 EA
NS2501A02	INSULATOR, CAPACITOR BOX	1.000 EA
51XB1016A08	10-16X 1/2HXWSSLD SERTYB	2.000 EA
HW5100A03SP	WAVY WASHER (W1543-017)	1.000 EA
35EP3300A33	SPL FACE MTD EP -ENCL-205 BRG	1.000 EA
51XN1032A20	10-32 X 1 1/4 HX WS SL SR	2.000 EA
51XB1214A16	12-14X1.00 HXWSSLD SERTYB	1.000 EA
35FH4005A32SP	IEC FH NO GR SR W/3 HOLES - PRIMED	1.000 EA
51XW1032A06	10-32 X .38, TAPTITE II, HEX WSHR SLTD S	3.000 EA
35CB4521	35 LIPPED CB LID (GALV & PHOSPH)	1.000 EA

Parts List (continued)		
Part Number	Description	Quantity
35GS1030	35 GS FOR CB LID - LEXIDE	1.000 EA
51XW0832A07	8-32 X .44, TAPTITE II, HEX WSHR SLTD SE	4.000 EA
HW2501D13	KEY, 3/16 SQ X 1.375	1.000 EA
HA7000A04	KEY RETAINER 0.625 DIA SHAFTS	1.000 EA
85XU0407S04	4X1/4 U DRIVE PIN STAINLESS	2.000 EA
MJ1000A02	GREASE, POLYREX EM EXXON (USe 4824-15A)	0.050 LB
34FN3002A01SP	EXTERNAL FAN, PLASTIC, .637/.639 HUB W/	1.000 EA
MG1000G27	MED CHARCOAL METALLIC GREY 400-0096	0.017 GA
34GS5003	FOAM SLEEVE, ID = 2 1/16" X 3 3/8"	2.000 EA
HA3100A18	THRUBOLT 10-32 X 9.250	4.000 EA
HA4067A01	PUSH IN DRAIN FITTING (BLACK)	1.000 EA
HA4067A01	PUSH IN DRAIN FITTING (BLACK)	1.000 EA
MN416A01	TAG-INSTAL-MAINT no wire (1200/bx) 11/14	1.000 EA
WD1000A15	3-520132-2 AMP FLAG (4M/RL NON-CANC/NON-	4.000 EA
SP5181A28	MODEL 35 LC TORQ STAT SWITCH LEAD ASSY	1.000 EA
LB1119N	WARNING LABEL	1.000 EA
LC0001	CONN LABEL TYPE L, 6 LEAD, DUAL VOLTS, R	1.000 EA
NP1372L	ALUM UL CSA CE CC	1.000 EA
35PA1066	PKG GRP, PRINT PK1008A06	1.000 EA
PK3082	STYROFOAM CRADLE	1.000 EA

AC Induction Motor Performance Data

Record # 20609 - Typical performance - not guaranteed values

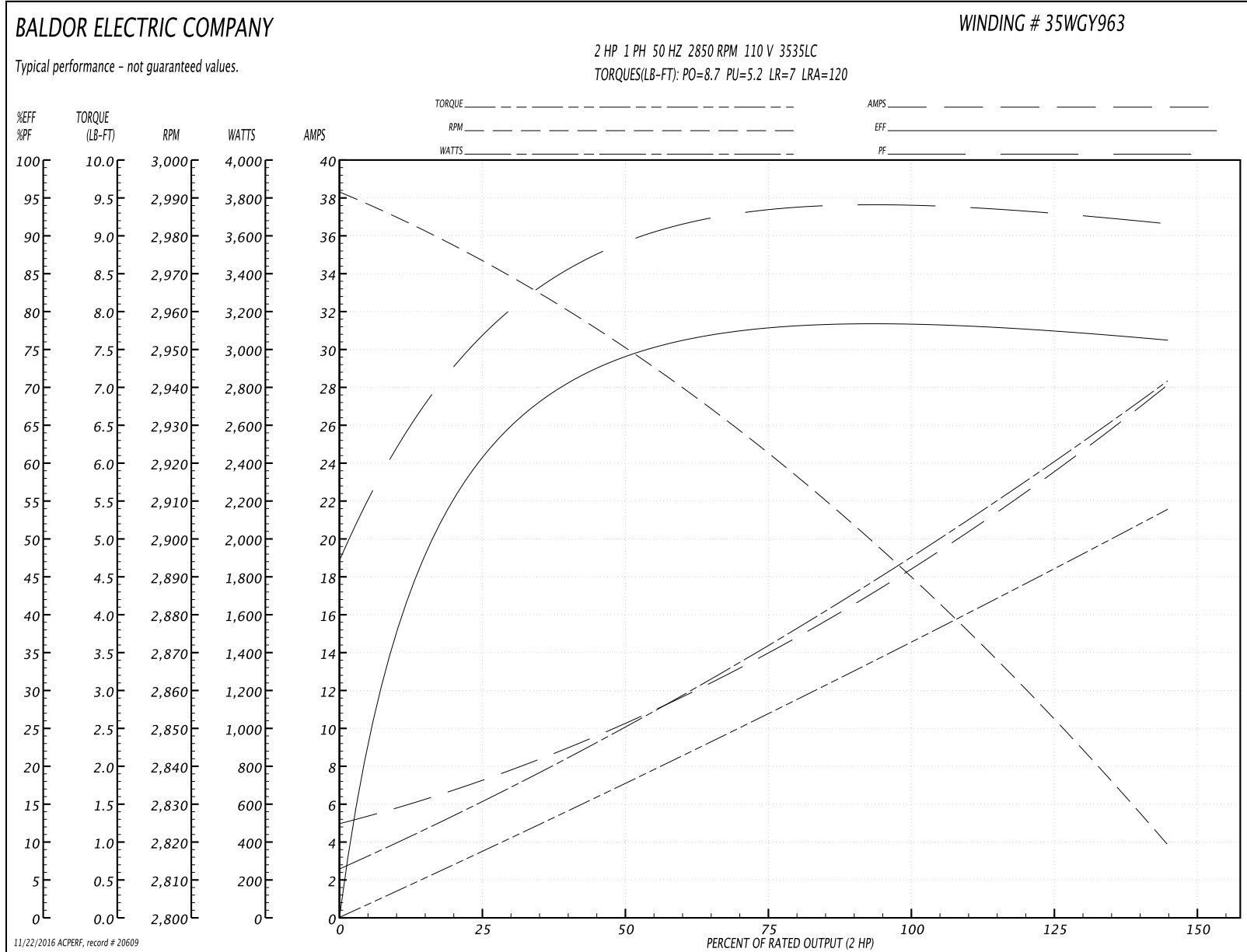
Winding: 35WGY963-R002	Type: 3535LC	Enclosure: TEFC
-------------------------------	---------------------	------------------------

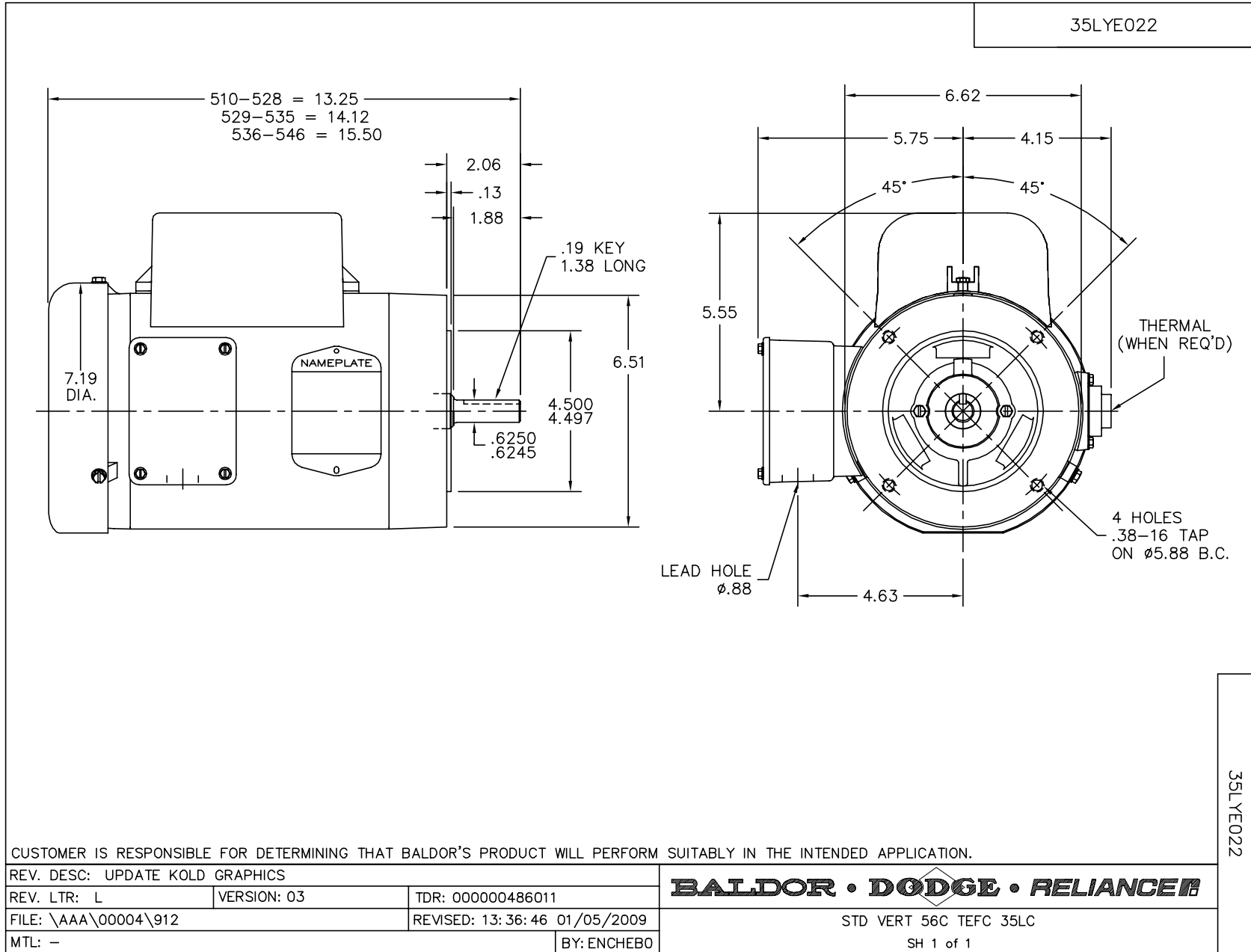
Nameplate Data				110 V, 50 Hz: Low Voltage Connection	
Rated Output (HP)	2			Full Load Torque	3.6 LB-FT
Volts	110/220			Start Configuration	direct on line
Full Load Amps	19.4/9.7			Breakdown Torque	8.7 LB-FT
R.P.M.	2850			Pull-up Torque	5.2 LB-FT
Hz	50	Phase	1	Locked-rotor Torque	7 LB-FT
NEMA Design Code	L	KVA Code	G	Starting Current	120 A
Service Factor (S.F.)	1.15			No-load Current	5 A
NEMA Nom. Eff.	77	Power Factor	96	Line-line Res. @ 25°C	0.256 Ω A Ph 1.64 Ω B Ph
Rating - Duty	40C AMB-CONT			Temp. Rise @ Rated Load	82°C

Load Characteristics 110 V, 50 Hz, 2 HP

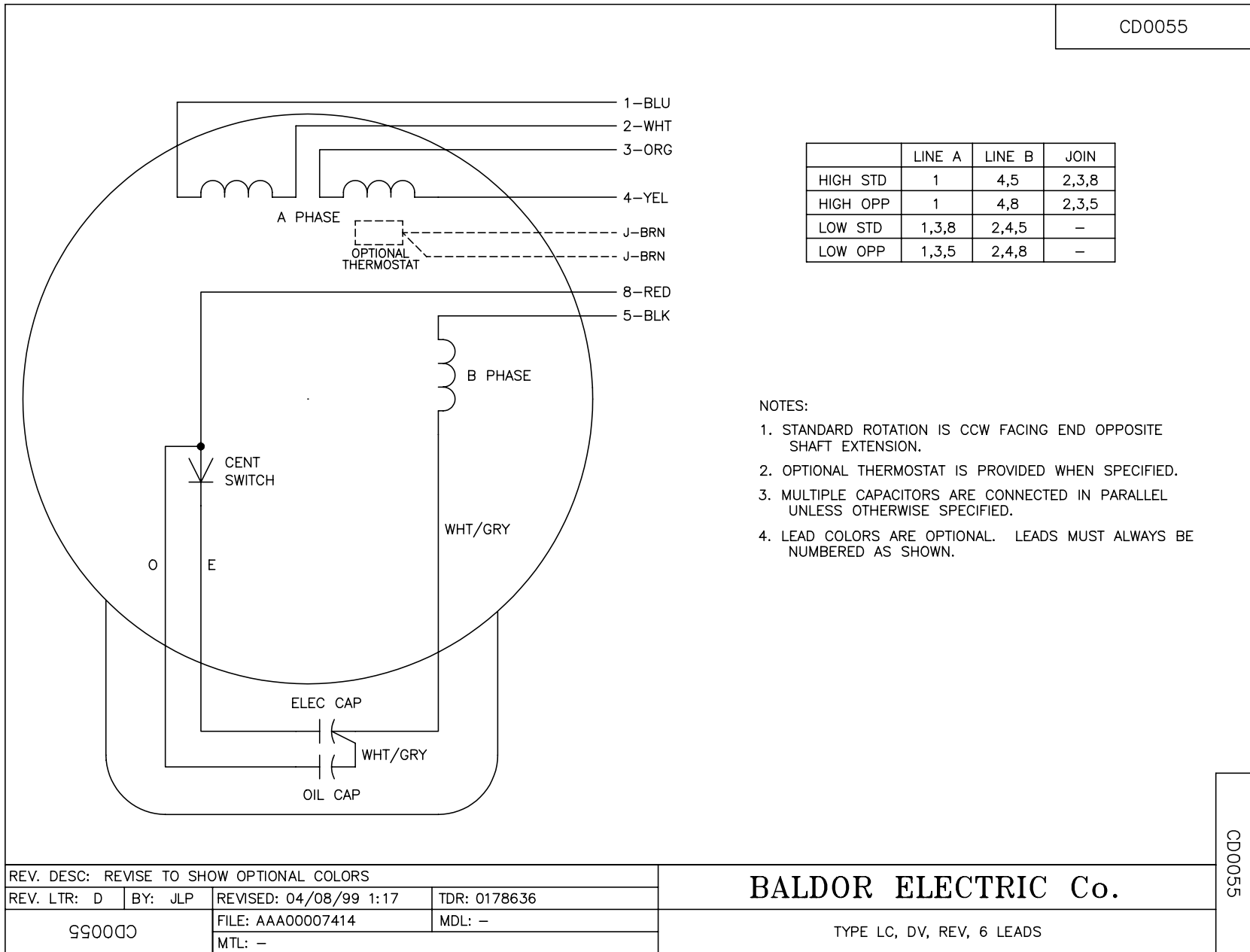
% of Rated Load	25	50	75	100	125	150
Power Factor	78	89	93	94	95	95
Efficiency	60.3	73.4	77.8	78.8	78	75.9
Speed	2972	2948	2922	2893	2859	2817
Line amperes	7.2	10.4	14.1	18.2	22.9	28.2

Performance Graph at 110V, 50Hz, 2.0HP Typical performance - Not guaranteed values





CD0055



REV. DESC: REVISE TO SHOW OPTIONAL COLORS			
REV. LTR: D	BY: JLP	REVISED: 04/08/99 1:17	TDR: 0178636
990000		FILE: AAA00007414	MDL: -
		MTL: -	

BALDOR ELECTRIC Co.

TYPE LC, DV, REV, 6 LEADS

CD0055