

BALDOR® • ***RELIANCE***

Product Information Packet

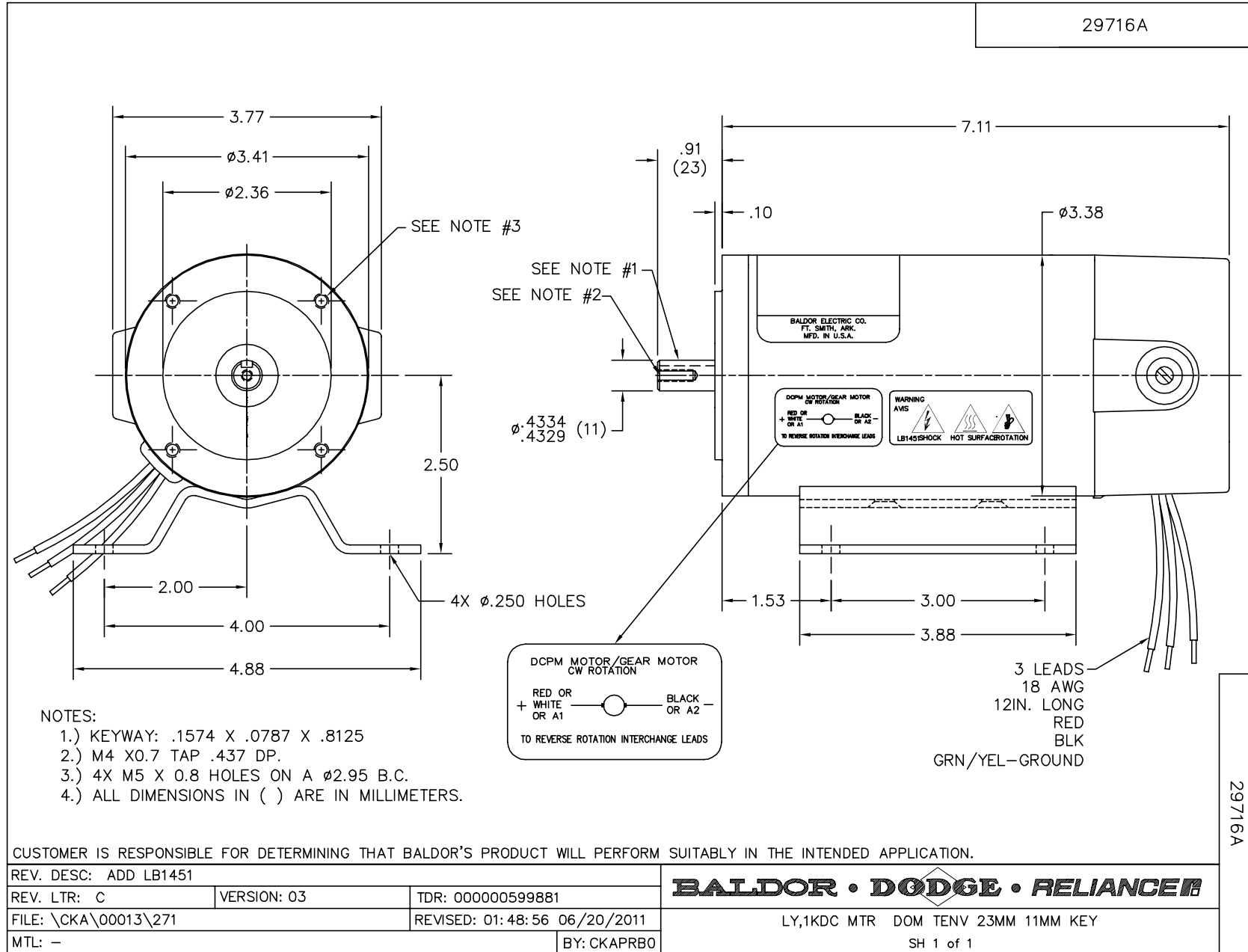
VP7424-14

MTR. J28AA 180VDC CATVP7424-14

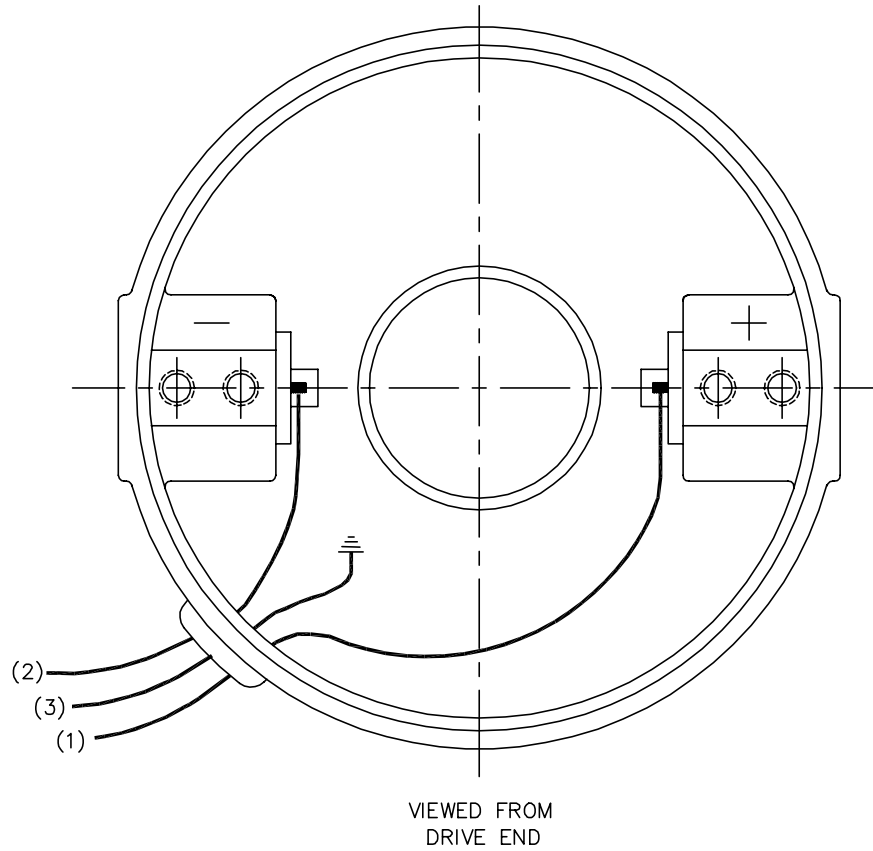
Part Detail							
Revision:	M	Status:	PRD/A	Change #:		Proprietary:	No
Type:		Prod. Type:		Elec. Spec:		CD Diagram:	
Enclosure:	TENV	Mfg Plant:		Mech. Spec:		Layout:	29716A
Frame:	D63C	Mounting:		Poles:		Created Date:	
Base:		Rotation:	R	Insulation:		Eff. Date:	01-07-2013
Field Type:		Literature:		Elec. Diagram:		Replaced By:	

Nameplate NP1220A24	
CAT.NO.	VP7424-14
SER.NO.	
SPEC.	29716A
FRAME	D63C TYPE 135P
HP	.15kw/.20hp TE
VOLTS	180DC
AMP	1.1
F.F.	1.0 CLASS A
RPM	1800
AMB.	40C DUTY CONT
BRUSHES	2/BP5052BP01
APRV-CE	<input type="checkbox"/> APRV-CUL <input type="checkbox"/>

Parts List		
Part Number	Description	Quantity
NP1220A24	NP,DC STD AD NONE V CE CUL MOTOR ONLY	1.000 EA
MN416A01	TAG-INSTAL-MAINT no wire (1200/bx) 11/14	1.000 EA
LB1451	WARNING LABEL, CE WARNING SYMBOLS ONLY	1.000 EA
BHF1002-002L	EP,1KDC DE CL 60R8 M508 2.950	1.000 EA
HW5002A44	N5002-112 RET RING INTERNBEVELED F/6001	1.000 EA
BG60R8C03	R8 D.SH,C3,POLYREX EM (INCH BRG)	1.000 EA
24SA3000C08L	CTR,ASM, 135F W/BASE W/BLACK POWDER COAT	1.000 EA
BWA10189L	WIRED HSG. ASM 3 LEADS W/BLACK POWDER CO	1.000 EA
BAA1350157	ARM.ASM, 135F W/TANG COMM	1.000 EA
HA3100A11	THRUBOLT 10-32 X 6.750	2.000 EA
BP5052BP01SP	BRUSH, GRADE R884 NATIONAL CARBON (FOR 1	1.000 EA
BP4530SP	BRUSH TUBE CAP:BBR1094	1.000 EA
HW5109A13	WASHER, WAVE SPRING FOR 26MM BORE SMALLE	1.000 EA
BMH2592	KEY,4MM SQUARE 20MM LONG	1.000 EA
CPA1000	PACKING GROUP STD. SINGLE	1.000 EA
LC0899A02	CONNECTION LABEL FOR TYPE DCPM	1.000 EA



CD1899



(1) COLOR MAY BE
RED
WHT
BLU

(2) COLOR MAY BE
BLK
BRN

(3) COLOR WHEN REQ.
GRN
GRN/YEL

VIEWED FROM
DRIVE END

REV. DESC: NEW			
REV. LTR: -	BY: PAW	REVISED: 09:06:34 09/16/2004	TDR: 341564
668100		FILE: CKA00025830	REF: CD1899
		MTL: -	

BALDOR ELECTRIC Co.

PM,2LD,REV,TANG,CK

CD1899