

BALDOR® • ***RELIANCE***

Product Information Packet

VUHL3518

.5HP, 1725RPM, 1PH, 60HZ, 56C, 3520L, TEFC, F3

Part Detail							
Revision:	F	Status:	PRD/A	Change #:		Proprietary:	No
Type:	AC	Prod. Type:	3520L	Elec. Spec:	35WGN406	CD Diagram:	CD0001
Enclosure:	TEFC	Mfg Plant:		Mech. Spec:	35X062	Layout:	35LYX062
Frame:	56C	Mounting:	F3	Poles:	04	Created Date:	09-17-2012
Base:	N	Rotation:	R	Insulation:	F	Eff. Date:	06-10-2016
Leads:	6#18					Replaced By:	
Literature:		Elec. Diagram:					

Nameplate NP1372L										
CAT.NO.	VUHL3518									
SPEC.	35X062N406G1									
HP	.5									
VOLTS	115/208-230									
AMP	7.4/3.5-3.7									
RPM	1725									
FRAME	56C					HZ	60		PH	1
SER.F.	1.15					CODE	M		DES	N
NEMA-NOM-EFF	68					PF	65		CL	F
RATING	40C AMB-CONT									
CC						USABLE AT 208V				
DE	6205					ODE	6203			
ENCL	TEFC					SN				
	IP44									

Parts List		
Part Number	Description	Quantity
SA251232	SA 35X062N406G1	1.000 EA
RA238074	RA 35X062N406G1	1.000 EA
EC1400A03SP	ELEC CAP, 400-480 MFD, 125V, 1.81D X 3.	1.000 EA
NS2512A01	INSULATOR, CONDUIT BOX X	1.000 EA
35CB4007	KOBX,W/PRIMER (REL# 79097-49-C)	1.000 EA
35GS3009	GASKET, KOBX 35CB4006 (411881-15A)	1.000 EA
WD4101A13	STEEL CAPLUG,BP-1 1/8, PLUG D3561S	1.000 EA
51XB1016A05	10-16X5/16HX WA SL SR TYB (F/S)	2.000 EA
11XW1032G06	10-32 X .38, TAPTITE II, HEX WSHR SLTD U	1.000 EA
35EP3100M02	FREP TEFC 203 BRG W/O GR SR (RAISED FH MT	1.000 EA
51XW0832A07	8-32 X .44, TAPTITE II, HEX WSHR SLTD SE	2.000 EA
NS2501A01	INSULATOR, CAPACITOR	1.000 EA
51XB1016A05	10-16X5/16HX WA SL SR TYB (F/S)	2.000 EA
35CB4802A02SP	CAPACITOR COVER, STAMPED X	1.000 EA
35GS3001A02	GASKET, CA.COVER, 5.38 LONG .06 CS301	1.000 EA
HW5100A03SP	WAVY WASHER (W1543-017)	1.000 EA
35EP3300A33	SPL FACE MTD EP -ENCL-205 BRG	1.000 EA
51XN1032A20	10-32 X 1 1/4 HX WS SL SR	2.000 EA
51XB1214A16	12-14X1.00 HXWSSLD SERTYB	1.000 EA
35FH4005A32SP	IEC FH NO GR SR W/3 HOLES - PRIMED	1.000 EA
51XW1032A06	10-32 X .38, TAPTITE II, HEX WSHR SLTD S	3.000 EA
35CB4519	CB LID RAW & UNPRIMED, REL# 79097-50-B	1.000 EA
35GS3019A01	LEXIDE GASKET, FOR KOBX LID 35CB4519	1.000 EA
51XW0832A07	8-32 X .44, TAPTITE II, HEX WSHR SLTD SE	4.000 EA

Parts List (continued)		
Part Number	Description	Quantity
HW2501D13	KEY, 3/16 SQ X 1.375	1.000 EA
HA7000A04	KEY RETAINER 0.625 DIA SHAFTS	1.000 EA
85XU0407S04	4X1/4 U DRIVE PIN STAINLESS	2.000 EA
WD1000A15	3-520132-2 AMP FLAG (4M/RL NON-CANC/NON-	2.000 EA
MJ1000A02	GREASE, POLYREX EM EXXON (USe 4824-15A)	0.050 LB
35FN3002A05	EXFN, PLASTIC, 6.376 OD, .638 ID	1.000 EA
MG1000N49	MUNSELL 8.5BG 3.57/2.0, GLOSS 30, B/G,	0.017 GA
SP5051A24	MODEL 35 TORQ STATIONARY SWITCH FOR "L"	1.000 EA
HA3100A12	THRUBOLT 10-32 X 7.375	4.000 EA
LB1119N	WARNING LABEL	1.000 EA
MN416A01	TAG-INSTAL-MAINT no wire (1200/bx) 11/14	1.000 EA
LC0001	CONN LABEL TYPE L, 6 LEAD, DUAL VOLTS, R	1.000 EA
NP1372L	ALUM UL CSA CE CC	1.000 EA
35PA1066	PKG GRP, PRINT PK1008A06	1.000 EA
PK3082	STYROFOAM CRADLE	1.000 EA

AC Induction Motor Performance Data

Record # 39785 - Typical performance - not guaranteed values

Winding: 35WGN406-R003	Type: 3520L	Enclosure: TEFC
-------------------------------	--------------------	------------------------

Nameplate Data				230 V, 60 Hz: High Voltage Connection	
Rated Output (HP)	.5			Full Load Torque	1.51 LB-FT
Volts	115/208-230			Start Configuration	direct on line
Full Load Amps	7.4/3.5-3.7			Breakdown Torque	4.62 LB-FT
R.P.M.	1725			Pull-up Torque	3.69 LB-FT
Hz	60	Phase	1	Locked-rotor Torque	5.49 LB-FT
NEMA Design Code	N	KVA Code	M	Starting Current	22.6 A
Service Factor (S.F.)	1.15			No-load Current	2.89 A
NEMA Nom. Eff.	68	Power Factor	65	Line-line Res. @ 25°C	4.0781 Ω A Ph 2.4038 Ω B Ph
Rating - Duty	40C AMB-CONT			Temp. Rise @ Rated Load	67°C
S.F. Amps				Temp. Rise @ S.F. Load	75°C

Load Characteristics 230 V, 60 Hz, 0.5 HP

% of Rated Load	25	50	75	100	125	150	S.F.
Power Factor	34	46	56	65	71	76	69
Efficiency	41.6	57.1	64.6	68	69	69	68.6
Speed	1783.2	1772	1759.8	1745.9	1730.5	1714.5	1737
Line amperes	2.95	3.09	3.35	3.69	4.1	4.61	3.94

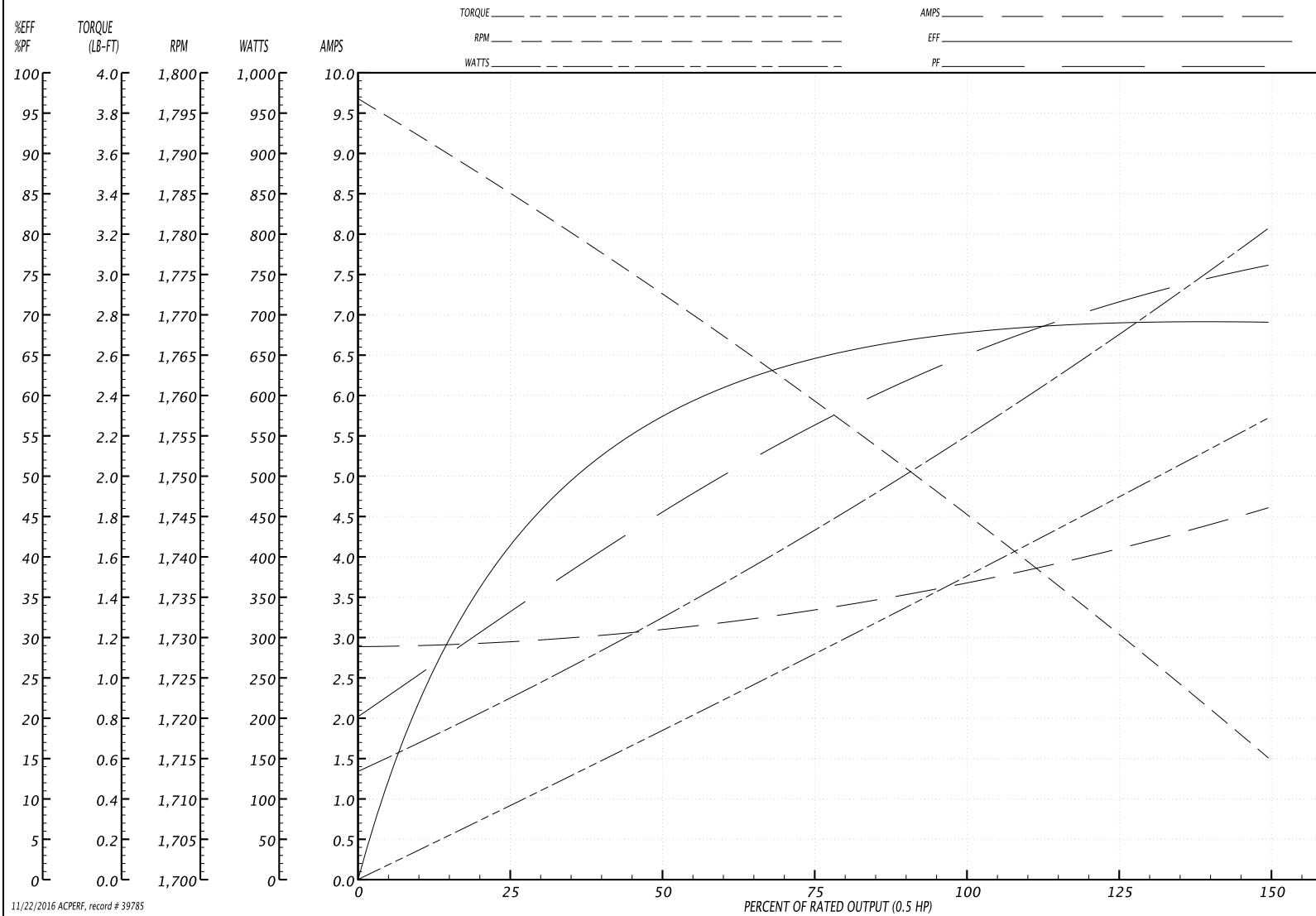
Performance Graph at 230V, 60Hz, 0.5HP Typical performance - Not guaranteed values

BALDOR ELECTRIC COMPANY

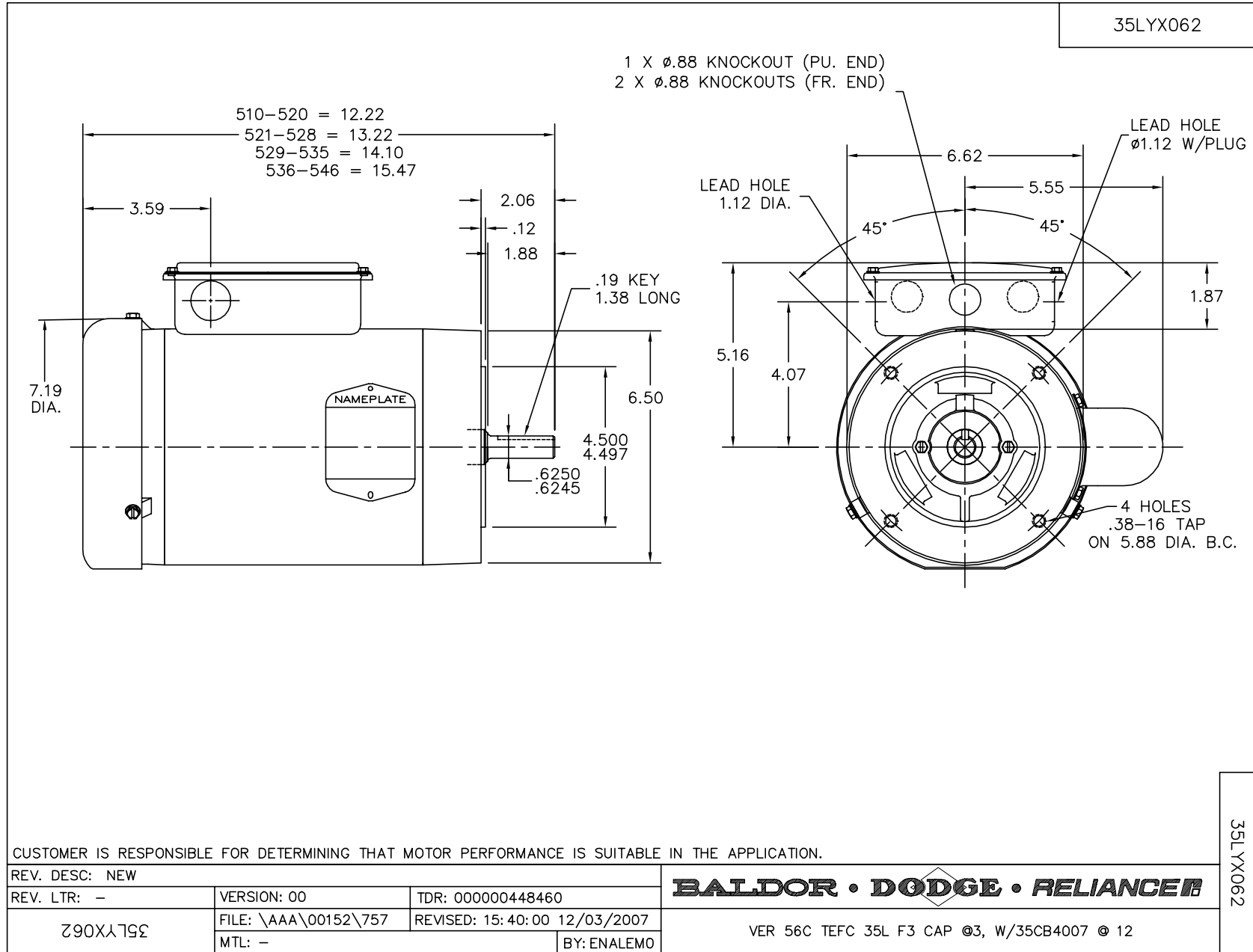
WINDING # 35WGN406

Typical performance - not guaranteed values.

0.5 HP 1 PH 60 HZ 1725 RPM 230 V 3520L
 TORQUES(LB-FT): PO=4.62 PU=3.69 LR=5.49 LRA=22.6



11/22/2016 ACPERF: record # 39785



CD0001



REV. DESC: REVISE TO SHOW OPTIONAL COLORS			
REV. LTR: D	BY: JLP	REVISED: 04/08/99 1:16	TDR: 0178636
100000		FILE: AAA00007405	MDL: -
		MTL: -	

BALDOR ELECTRIC Co.

TYPE L, DV, REV, 6 LEADS

CD0001