

BALDOR® • ***RELIANCE***

Product Information Packet

ZDFRPM25304C

30HP, 1750RPM, 3PH, 60HZ, 2570C, TEFC, FOOT

Part Detail							
Revision:	-	Status:	PRD/A	Change #:		Proprietary:	No
Type:	AC	Prod. Type:		Elec. Spec:	L3379A	CD Diagram:	422927-001
Enclosure:	TEFC	Mfg Plant:		Mech. Spec:		Layout:	617573-023
Frame:	FL2570C	Mounting:	F3	Poles:	04	Created Date:	04-10-2015
Base:		Rotation:	R	Insulation:	H	Eff. Date:	04-13-2015
Leads:						Replaced By:	
Literature:		Elec. Diagram:					

Nameplate 000613006NN										
	DUTY	HP	RPM	AMPS	VOLTS	HZ				
	CONT	30	1780	39	460	60				
	CONT	30	3555	36	460	120				
CAT.NO.	ZDFRPM25304C		SPEC. NO.	P25T0311						
SER.NO.			FR	FL 2570C		INSUL	H			
PH.	3		MAX SAFE SPEED	5000		AMB.	40		MIN. AMB.	0
DESIGN NO.	L3379A		TYPE			ENCL.	TEFC			
S.F.	1.0		D.E. BRG.	65BC03JPP30A						
ENCL MOD			O.D.E. BRG.	50BC03JPP30A						

Parts List		
Part Number	Description	Quantity
WS286698	WS P25T0311	1.000 EA
RA282906	RA P25T0311	1.000 EA
000613006NN	RPM AC WITH CERTIFIED LOGOS	1.000 EA
000692000FP	NP, WARNING LIFT INSTRUCTIONS	1.000 EA
000692000VD	LABEL WARNING	1.000 EA
036170004EA	ROUND HEAD DRIVE SCREW	4.000 EA
418018122A	LABEL	2.000 EA
422927001	C/D LABEL	1.000 EA
036100080KA	M10-1.50X 80MM HXSOCHDCS	3.000 EA
036500010AB	METRIC NUT M10-1.5PLTD400	4.000 EA
036500010AB	METRIC NUT M10-1.5PLTD400	4.000 EA
036610010AB	MHSLW M10 PLATED	4.000 EA
400638001H	SPRING WASHER	1.000 EA
418057491A	LIFTING LUG	2.000 EA
602018077A	DRAIN	1.000 EA
602018077A	DRAIN	1.000 EA
609830005ACL	STUD FRAME .375X11.38	4.000 EA
807582003BAA	BRKT,DE,FL250,313 BRG., MACH	1.000 EA
807582004AAB	BRKT,ODE,L250	1.000 EA
032018004AK	HHCS 1/4-20X1/2 PLATED	2.000 EA
034180012FA	KEY 3/8X3/8X1-1/2 L - 360	1.000 EA
036000012HB	HHCS M6X12MM LONG PLATED	3.000 EA
036000020HB	HHCS M6-1.0X20MM PLATED	4.000 EA
036620008AB	M6 METRIC EXT LOCKWASHER	1.000 EA

Parts List (continued)		
Part Number	Description	Quantity
065564000B	GASK 250-280	1.000 EA
075452000B	C/BOX, PAINTED 210-250	1.000 EA
075453000A	CBOXC, PAINTED 250-280	1.000 EA
078548001T	FAN 250	1.000 EA
406673002C	.75 CAP PLUG	1.000 EA
415000103A	T/LUG #14AWG-#4AWG W/HOLE FOR .250 BOLT	1.000 EA
415072001B	CLAMP	1.000 EA
417733004T	GASKET CONDUIT BOX	2.000 EA
418018074A	GROUND LABEL G100 METRIC 160 D.C.	1.000 EA
418057373A	SCREW SHEET METAL	7.000 EA
422962051B	STUB SHAFT	1.000 EA
607980163C	TETHER KIT	1.000 EA
607980163D	TETHER KIT	1.000 EA
607980192A	RF,BEI,HS35,TWISTLOCK	1.000 EA
708533003A	PLATE, BTM FAN/BLOWER	2.000 EA
708534050A	BLOWER SHROUD	1.000 EA
708534051A	FL250 FAN GRILL	1.000 EA
000640000P	TAG WINDING THERMOST	1.000 EA
004824007K	SPECIAL PAINT	0.100 EA
034180022FA	KEY 3/8X3/8X2-3/4 L	1.000 EA

REL. S.O.	-	VOLTS	460	ENCLOSURE	TEFC	WYE CONN EQ CKT OHMS PER PHASE (AT BASE RATING, 25 °C)
FRAME	FL2570	AMPS	39	MAX SAFE RPM	5000	
HP	30	DUTY	CONT	IM (AMPS)	20	R1 .106 X1 .513
BASE SPEED	1780	S.F.	1.0	P.F.@NL/FL	.054/.796	R2 .0656 X2 .782
PHASE/HERTZ	3/60	AMB °C/INSUL	40/H	WK ² (LB-FT ²)	3.5	XM 13.4

RATED FULL LOAD DATA


	RPM	HP	TORQUE LB-FT	FUND VOLTS	FREQ-HZ	AMPS
BASE SPEED	1780	30.0	89	460	60	38.7
MAX SPEED	3555	30.0	44	460	120	35.7
MIN SPEED	0	0	89	11.7	.682	38.7

LOAD PERFORMANCE AT BASE SPEED

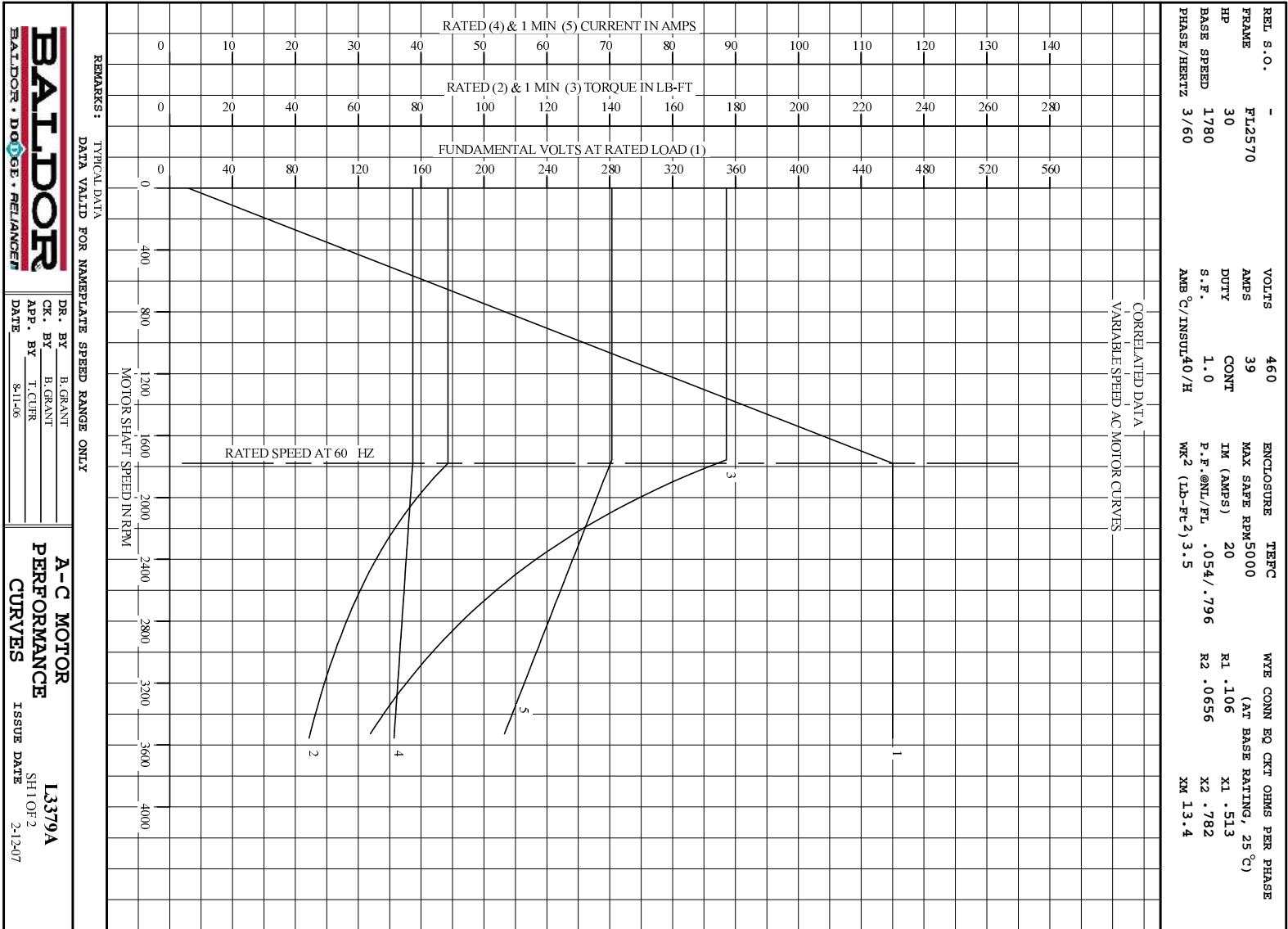
	RPM	HP	TORQUE LB-FT	FUND VOLTS	FREQ-HZ	AMPS
NO LOAD	1800	0	0	460	60	19.3
1/4	1795	7.51	22	460	60	21.5
1/2	1790	15.0	44	460	60	25.8
3/4	1785	22.5	66	460	60	31.8
FULL LOAD	1780	30.0	89	460	60	38.7
O/L	1756	59.2	177	460	60	70.3

BLOWER DATA	VOLTS	PH/HZ	FL AMPS	LR AMPS	FRAME	CFM

REMARKS: TYPICAL DATA
CORRELATED DATA

	DR. BY	B. GRANT	A-C MOTOR PERFORMANCE DATA
	CK. BY	T. GRANT	
	APP. BY	T. CUPP	
	DATE	8-11-06	

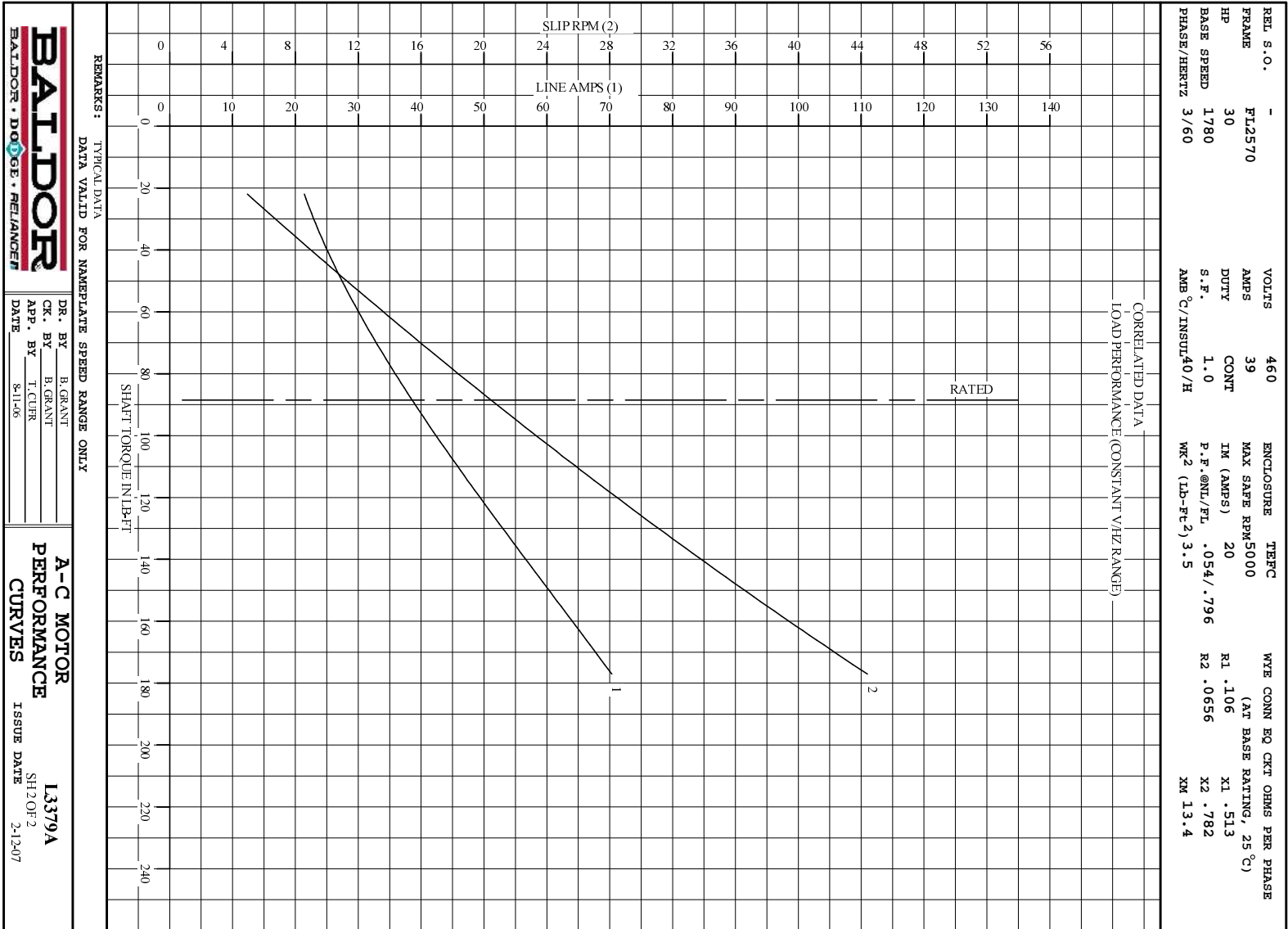
**A-C MOTOR
PERFORMANCE
DATA**
L3379A
ISSUE DATE 2-12-07



REMARKS: TYPICAL DATA
 DATA VALID FOR NAMEPLATE SPEED RANGE ONLY

BALDOR	A-C MOTOR
DR. BY B. GRANT	L3379A
CK. BY B. GRANT	SH 1 OF 2
APP. BY T. CURR	ISSUE DATE 2-12-07
DATE 8-11-06	

BALDOR • DOUGLASS • RELIANCE



REMARKS: TYPICAL DATA
DATA VALID FOR NAMEPLATE SPEED RANGE ONLY

BALDOR
BALDOR • DODGE • RELIANCE

DR. BY B. GRANT
CK. BY B. GRANT
APP. BY T. CURR
DATE 8-11-06

A-C MOTOR
PERFORMANCE
CURVES

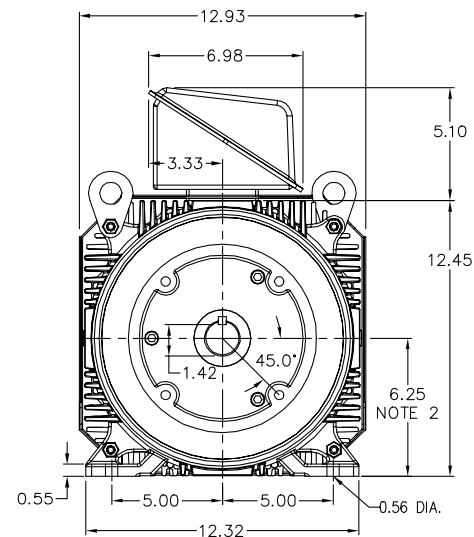
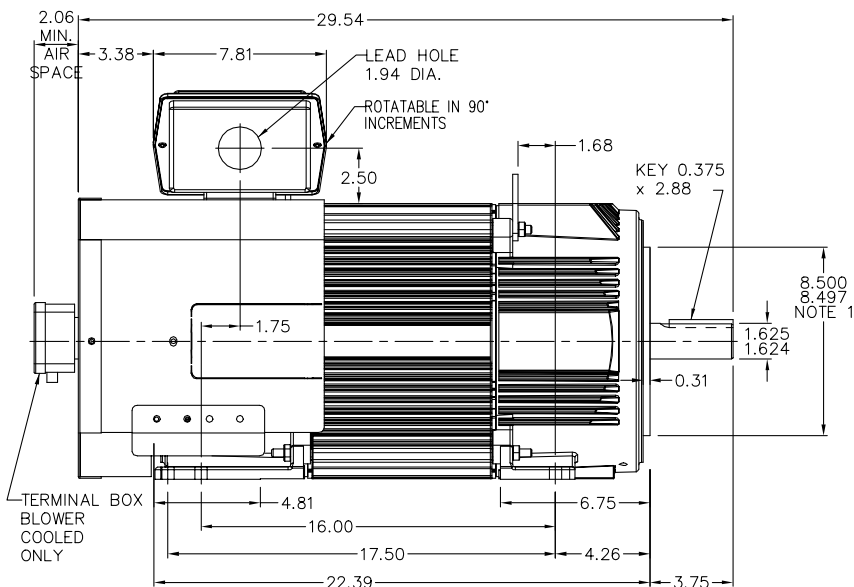
L3379A
SH20F2
ISSUE DATE 2-12-07

617573-023

RPM-AC FINNED FRAME VARIABLE SPEED ALTERNATING CURRENT MOTOR
FL2570C

ENCLOSURE: TOTALLY ENCLOSED
MOUNTING: FOOT / NEMA 250TC C-FACE
DRIVE METHOD: COUPLED OR BELTED

COOLING: BLOWER COOLED or
FAN COOLED
ACCESSORIES: PROVISIONS FOR
TACHOMETER MOUNTING
ONLY WHEN SPECIFIED



NOTE 1: C-FACE & TACHOMETER MOUNTING
1/2-13 TAP, 1.00 DEEP, ON A 7.25 DIA. BOLT CIRCLE
FACE RUNOUT AND ECCENTRICITY 0.004 MAX. T.I.R.

NOTE 2: SHAFT HEIGHT WILL NOT BE EXCEEDED
SHIMS UP TO 0.03 INCHES IN THICKNESS ARE USUALLY
REQUIRED FOR COUPLED OR GREARED MACHINES

TERMINAL BOX MAY BE LOCATED F1 OR F2 IF SPECIFIED
121 AMP STEEL TERMINAL BOX SHOWN
REFER TO 616779-50 FOR SPECIFIED TERMINAL BOX DIMENSIONS
REFER TO 616779-55 FOR SPECIFIED TACHOMETER DIMENSIONS

MOTOR WEIGHT: 475 LBS. (MAY VARY 15%)
DIMENSIONS ARE IN INCHES SCALE: 1.00

617573-023

CUSTOMER IS RESPONSIBLE FOR DETERMINING THAT BALDOR'S PRODUCT WILL PERFORM SUITABLY IN THE INTENDED APPLICATION.

REV. DESC: ADDED C-FACE DEPTH DIMENSION	VERSION: 01	TDR: 000000493632
REV. LTR: A	REVISED: 14:34:48 03/13/2009	BY: CONDLM
FILE: \RGG\00003\142		
MTL: -		

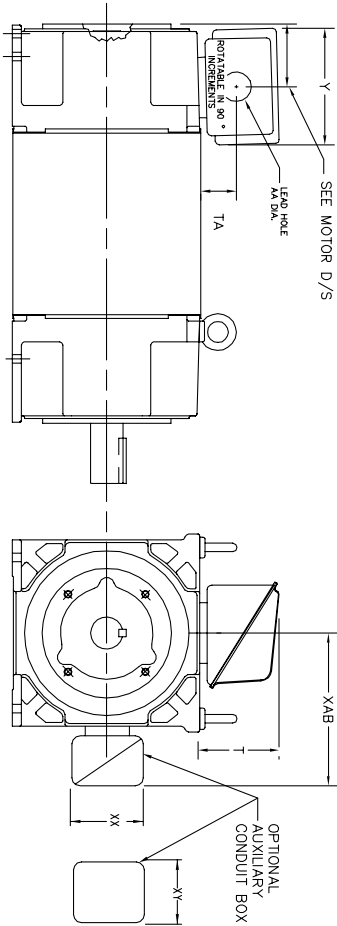
BALDOR • DODGE • RELIANCE
DIM SHT FL2570C RPM AC TE FT/NEMA 250TC MTG BLWR OR FAN COOL
SH 1 of 1

618779-050

INDUSTRIAL ALTERNATING CURRENT MOTORS

RPM AC

STEEL, CAST IRON, MILL AND TERMINAL BOARD CONDUIT BOX DIMENSIONS
 NEMA FRAMES FL210 thru RL280 and IEC FRAMES RDL132 thru RDL180
 NEMA FRAMES FL180 thru FL280 and IEC FRAMES FDL112 thru FDL180



TERMINAL BOX	Y	TA	T	AA	MAX AMP	REMARKS
706310-63B	14.39	7.43	12.15	--	400	TERMINAL STRIP
706310-226R	9.00	3.06	5.40	Pg36 & Pq16	160	TERMINAL STRIP
706310-225R	7.25	2.30	4.40	Pg29 & Pq16	100	TERMINAL STRIP
706310-56B	9.00	3.06	5.40	Pg36 & Pq16	160	TERMINAL STRIP
706310-56A	7.75	2.30	4.40	Pg29 & Pq16	100	TERMINAL STRIP
706320-14D	15.00	7.56	12.81	5	510	CAST IRON
706320-13A	10.50	4.88	9.00	4.0 TAP	210	CAST IRON
706320-12B	9.25	4.81	8.56	3	140	CAST IRON
75460-62B	7.25	2.50	5.25	1.5 TAP	110	CAST IRON
706320-4C	5.75	2.38	4.38	1.0 TAP	60	CAST IRON FL180 ONLY
706310-3E	16.00	4.40	7.81	3	590	MILL
706310-3X	8.00	2.38	5.00	--	160	MILL
702658-1G	14.62	7.56	12.70	5	500	STEEL
706320-16A	9.00	4.12	8.44	4.59	305	STEEL
706320-9A	7.25	3.50	7.06	2.50	160	STEEL
75454-1AJ	7.69	2.38	5.25	1.94	121	STEEL
75452-B	6.34	2.00	4.12	1.75	61	STEEL
75452-G	6.34	2.00	4.12	--	61	SPECIAL
706320-5A	6.12	2.38	4.38	1.75/2.00	75	STEEL FL180 ONLY
706320-3A	5.00	1.62	3.00	1.12	40	STEEL FL180 ONLY
706320-7A	7.62	2.00	7.00	2.5/3.0	208	STEEL FL180 ONLY

FRAME SIZE	XAB	OPTIMAL AUXILIARY CONDUIT BOX DIMENSIONS (MAXIMUM)				PART NUMBER			
		XX	XY	XX	XY				
FL210/FL132/RL210/RL132	7.38	4.25	4.25	6.0200-7-26-A	FL210/FL132/RL210/RL132	10.88	8.00	8.00	706310-3-B
FL220/FL180/RL220/RL180	8.44	4.23	4.23	6.0200-7-26-A	FL220/FL180/RL220/RL180	11.88	8.00	8.00	706310-3-B
FL280/FL180/RL280/RL180	9.12	4.23	4.23	6.0200-7-26-A	FL280/FL180/RL280/RL180	12.62	8.00	8.00	706310-3-B

- (1) 'AA' CONDUIT
- (2) 'AA' PIPE TAP
- (3) CUSTOMER TO PROVIDE HOLE FOR CONDUIT.
- (4) 'E' DN 'SA' OR 'I' TAP DN '4C'

TERMINAL BOX CAN BE ROTATED FOR LEAD OUTLET AT TOP, SIDES OR BOTTOM.
 TERMINAL BOX LOCATED ON OPPOSITE SIDE WHEN F-2, W-1, W-4, W-5, W-7,
 OR C-1 MOUNTING IS SPECIFIED. BOX LOCATED ON TOP WHEN SPECIFIED.

050-6071919

CUSTOMER IS RESPONSIBLE FOR DETERMINING THAT BALDOR'S PRODUCT WILL PERFORM SUITABLY IN THE INTENDED APPLICATION.

REV. DESC: BOX # 706320-9A, CHANGE AA DIM FROM 2 TO 2.50	TDR: 000000785386
REV. LTR: C	VERSION: 03
FILE: \RGG\00003\692	REVISED: 08:40:55 02/11/2013
MTL: -	BY: RGGWT

BALDOR

DIM SHT NEMA RL210-RL280 FL180-FL280 IEC RDL132-RDL180

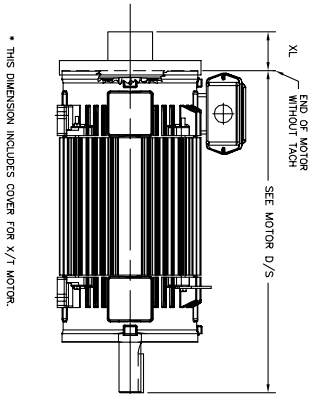
SH 1 of 1

616779-055

RPM AC TACHOMETER DIMENSIONS
 NEMA FRAMES FL180 thru FL440 and IEC FRAMES FDL112 thru FDL280
 DIMENSIONS ARE IN INCHES(mm)

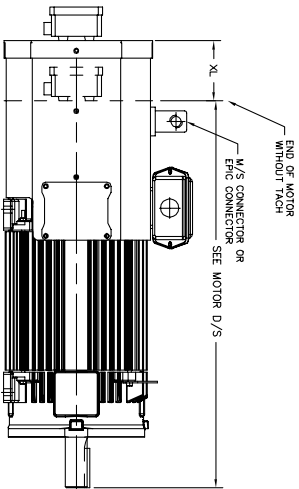
DPFV, DPSV, TEPV, TESV, TENV & TEAO-PB
 IC06, IC17, IC37, IC410, & IC416-PB

TACH MODEL	XL Inchest(mm)	LBS.
BEI DE DYNAPAR HS35	2.88 (74)	5
DYNAPAR HED	7.50 (191)MAX	10
NORTHSTAR HS35M	3.31 (84)	10
NORTHSTAR ST67	2.88 (74)	5
DYNAPAR HS6	10.56 (268)	40
AVTRON M3 DR M4	3.62 (92)	10
TAMAGAWA TS5013(X17)	6.00 (152)	10
NORTHSTAR ST56	2.88 (74)	5
NORTHSTAR ST85	2.00 (51)	5
BEI HS80	10.17 (259)	15
TAMAGAWA TS2151	2.64 (67)	5
BEI H23	7.50 (191)	15
DYNAPAR HS20	2.00 (50.8)	5
AVTRON X25	12.88 (327)	10
STEGMANN SRM25	7.25 (184.4)	10
NORTHSTAR HS135	3.00 (76.2)	10
HEIDENHAIN ERM425	2.5 (63.5)	5
AVTRON HS35M	4.19 (106.4)	5
HEIDENHAIN FRM480	5.00 (126.2)	5
DYNAPAR H125	7.00 (177.8)	10
DYNAPAR H22	3.62 (92.1)	5
AVTRON H255	2.54 (64.5)	9
AVTRON AV950	2.54 (64.5)	9
AVTRON AV56	4.50 (115)	15
HS138	3.30 (84)	5
HS125	3.30 (84)	2
NORTHSTAR RT8	3.25 (82)	15
DYNAPAR H425	5.88 (150)	10
AVTRON AV485	5.50 (141)	18



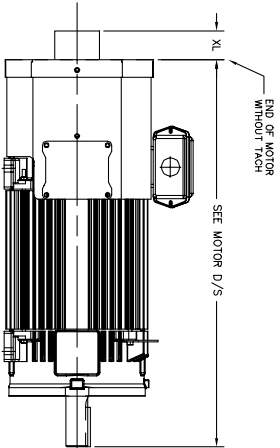
TEAO-BC, IC416-BC

TACH MODEL	XL Inchest(mm)	LBS.
BEI DE DYNAPAR HS35	4.50 (115)	15
DYNAPAR H20	4.50 (115)	10
AVTRON M3 DR M4	4.50 (115)	10
NORTHSTAR HS35M	4.50 (115)	15
NORTHSTAR ST56	4.50 (115)	10
NORTHSTAR ST67	4.50 (115)	10
NORTHSTAR ST85	4.50 (115)	5
TAMAGAWA TS5008 TS5013	4.50 (115)	10
DYNAPAR H20	4.50 (115)	10
STEGMANN SRM25	4.50 (115)	10
STEGMANN SRM25/SRM50	4.50 (115)	3
STEGMANN SRM50	4.50 (115)	15
H20 & H2E	4.50 (115)	15
AVTRON HS35M	4.50 (115)	10
AVTRON AV85	4.50 (115)	10
AVTRON M56	4.50 (115)	5
AVTRON AV67	4.50 (115)	10
HS138	4.50 (115)	5
TS2014	4.50 (115)	10
AVTRON HS45	4.50 (115)	15
DYNAPAR HS138M	4.50 (115)	15



TEFC, IC411

TACH MODEL	XL Inchest(mm)	LBS.
BEI HS35	2.88 (74)	7
NORTHSTAR HS35M	3.31 (84)	10
DYNAPAR H20	3.75 (95)	15
DYNAPAR HS35, HS138	2.88 (74)	7
H20(X17)	9.75 (248)	35
ERM425	7.90 (201)	35
AVTRON HS35M	4.19 (106)	2
STEGMANN SRM50	3.75 (95)	1
DYNAPAR H20	2.00 (51)	1
NORTHSTAR HS125	2.81 (71)	2
NORTHSTAR HS138	3.30 (84)	5



055-6179-6

CUSTOMER IS RESPONSIBLE FOR DETERMINING THAT BALDOR'S PRODUCT WILL PERFORM SUITABLY IN THE INTENDED APPLICATION.

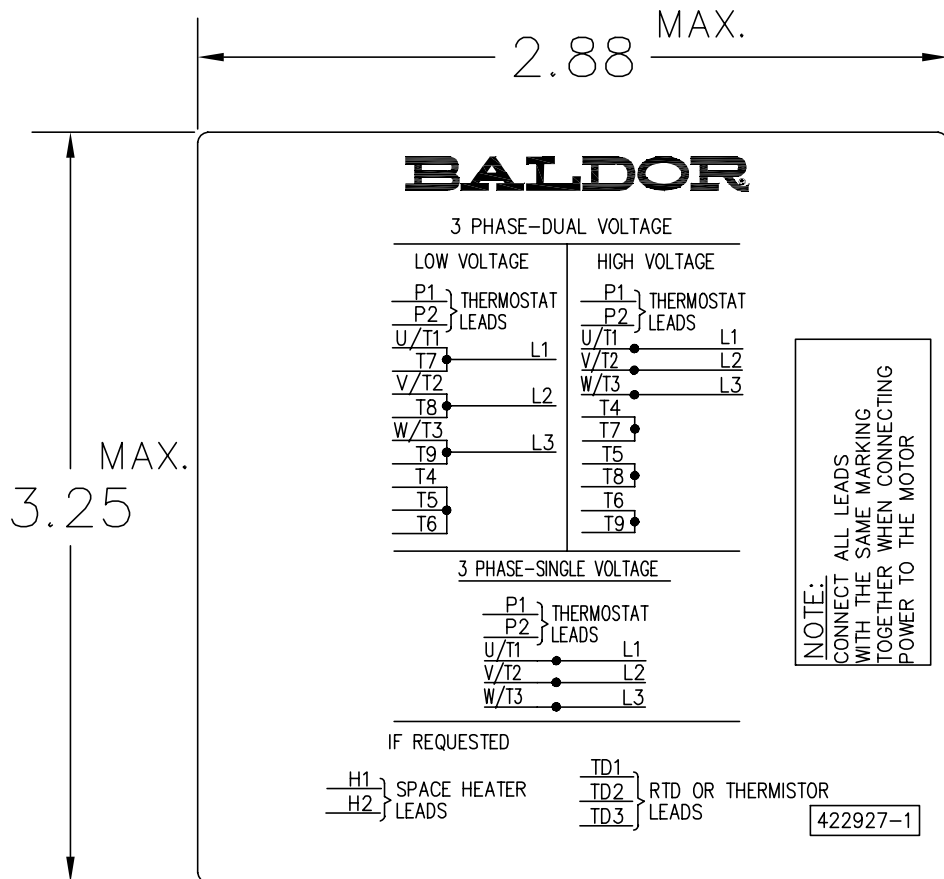
REV. DESC: ADD TAMAGAWA TS5008 (B1248085)	VERSION: 19	TDR: 000000895710
REV. LTR: U	REVISED: 08:00:14 03/06/2015	BY: RGGWT
FILE: \RGG\00003\694		
MTL: -		

BALDOR

DIM SHT TACH DIM NEMA FL180 - FL440 IEC FDL112 - FDL280

SH 1 of 1

422927-001



NOTE:
DATA TO BE SIZED
SO THAT IT FITS INTO
MATERIAL DECAL
DIMENSIONS. MAKE
LETTERS & NUMBERS
AS LARGE AS POSSIBLE.

MATERIAL: CERAMATIC DGF-P4
PERMA GRIP ADHESIVE

ALL LETTERS, NUMBERS
AND LINES TO BE BLACK
ON WHITE BACKGROUND.

422927-001

REV. DESC: CHANGE BACKGROUND COLOR FROM GOLD TO WHITE		
REV. LTR: B	VERSION: 02	TDR: 000000788708
FILE: \RGG\00000\203	REVISED: 08:09:29 03/04/2013	
MTL: -	BY: RGGWT	

BALDOR

EXTERNAL CONNECTION LABEL

SH 1 of 1

Marketing maintained PDF of MN406:

<http://www.baldor.com/support/Literature/Load.ashx/MN406?ManNumber=MN406>