

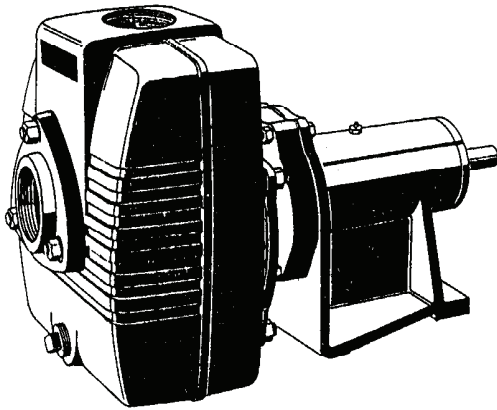
Series 20ICU-1

Pump End
3" NPT

BARNES®

www.cranepumps.com

Self-Priming Universal/Electric Driven



Specifications:

SUCTION/DISCHARGE3" x 3" NPT, Female
LIQUID TEMPERATURE160°F (71°C) Continuous
INTERMEDIATECast Iron ASTM A-48, Class 30
VOLUTECast Iron ASTM A-48, Class 30, Removable
BODYCast Iron ASTM A-48, Class 30
PEDESTALCast Iron ASTM A-48, Class 30
IMPELLER: DesignSemi-Open, Dynamically Balanced, ISO G6.3
 MaterialCast Iron ASTM A-48, Class 30
SHAFTStainless Steel
SQUARE RINGSBuna-N
HARDWARESeries Stainless Steel
PAINTAir Dry Enamel.
SEAL: **Design**Mechanical
 LubricationSelf-Lubricating
 MaterialRotating Faces - Carbon
 Stationary Faces - Ceramic
 Elastomer - Buna-N
 Hardware - 300 Series Stainless

BEARING - PUMP END:

DesignSingle Row, Ball
LubricationGrease
LoadRadial

BEARING - DRIVE END:

DesignSingle Row, Ball
LubricationGrease
LoadRadial

CHECK VALVE:

MaterialValve Flap-Neoprene
 Weight-Cast Iron ASTM A-48, Class 30

OPTIONAL EQUIPMENTSeal Material, Flex Coupled Assy. with Base & OSHA Guard; Right Hand V-Belt Drive Assy., Left Hand V-Belt Drive Assy., and In-Line Vertical V-Belt Drive Assy. with Base, Motor Adjusting Base and OSHA Guard.

Series: 20ICU-1
 MAX SPHERE 3/4"

DESCRIPTION:

SELF-PRIMING CENTRIFUGAL PUMPS
 DESIGNED FOR MARINE, MUNICIPAL AND
 INDUSTRIAL APPLICATIONS



WARNING:
 CANCER AND REPRODUCTIVE HARM -
 WWW.P65WARNINGS.CA.GOV

Questions? Call 1-800-810-1053

SECTION 4E
 PAGE 28
 DATE 10/19

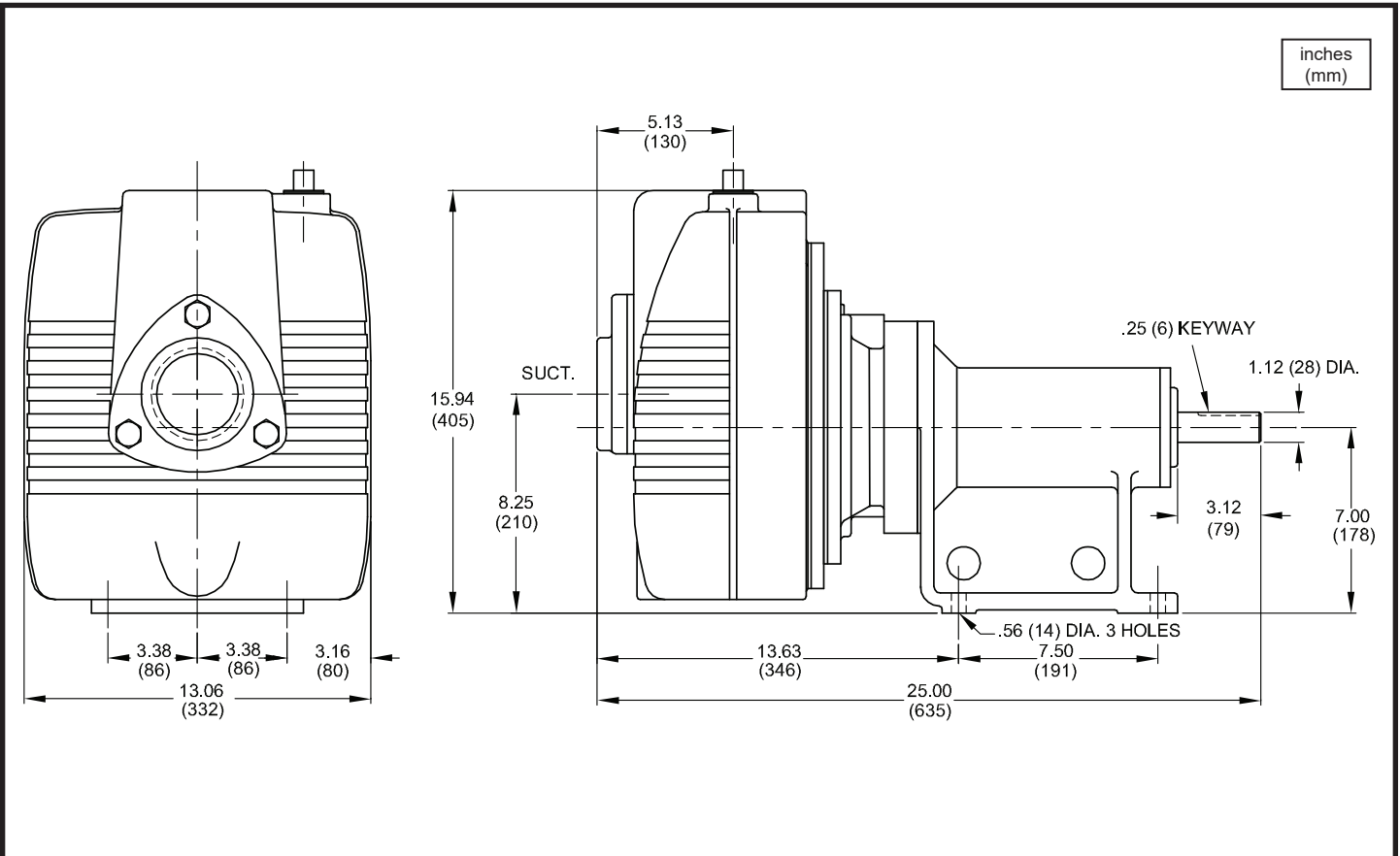
CRANE®

A Crane Co. Company

PUMPS & SYSTEMS

USA: (937) 778-8947 • Canada: (905) 457-6223 • International: (937) 615-3598

Self-Priming Universal/Electric Driven



MODEL NO	PART NO	WEIGHT NET LBS (kg)
20ICU-1	052624	223 (101)

Order Online: www.PumpCatalog.com

IMPORTANT !

- DO NOT USE FOR PUMPING FLUIDS WITH A FLASH POINT OF LESS THAN 100°F.
- MAKE CERTAIN THAT PUMP AND/OR MOTOR ASSEMBLY AND CONTROLS HAVE THE APPROPRIATE RATINGS FOR THE GIVEN APPLICATION AREA CLASSIFICATION. (ie DIVISION I, AGENCY LISTING ETC.)

Series 20ICU-1

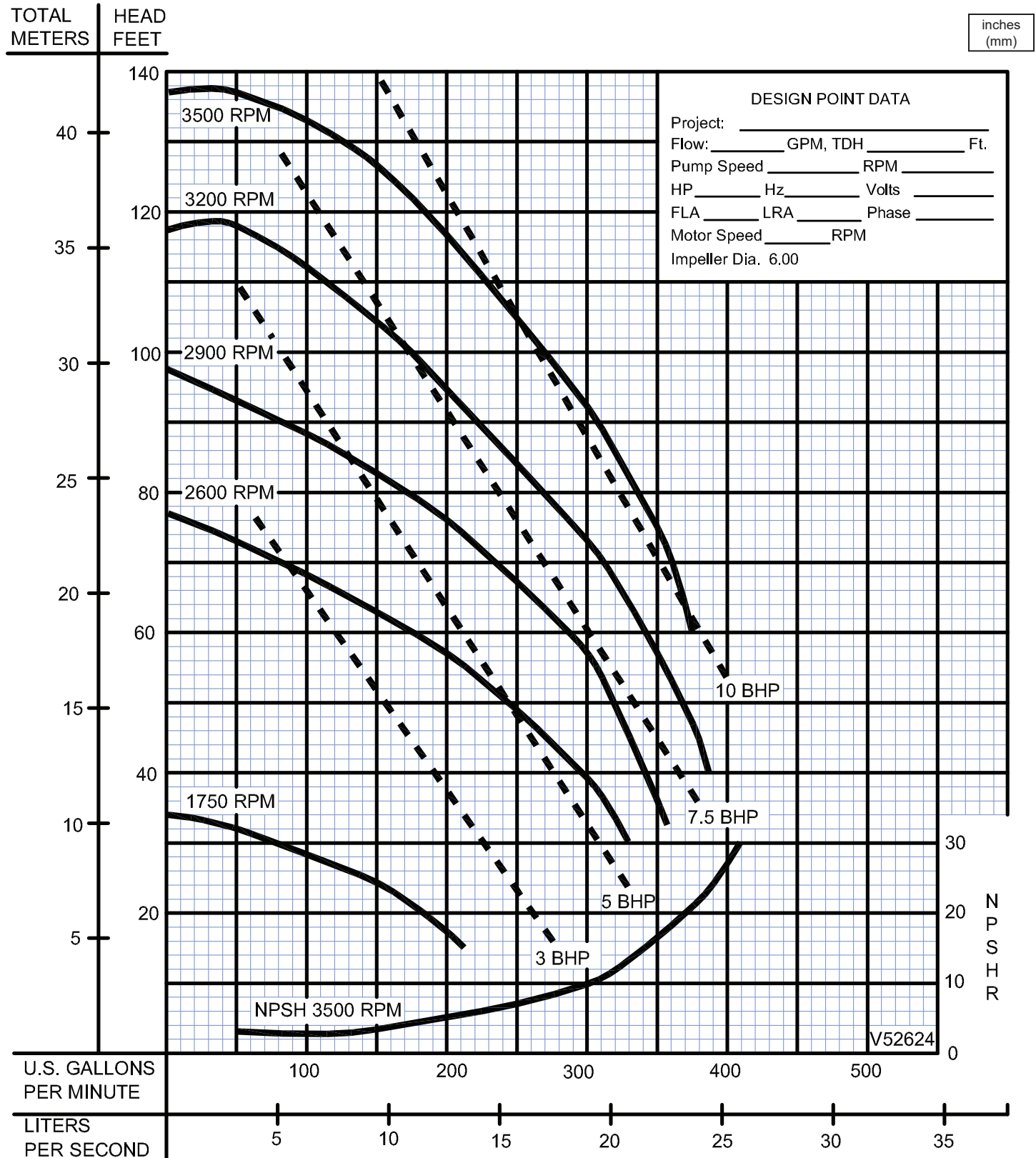
Performance Curve

Pump End

BARNES®

www.cranepumps.com

Self-Priming Universal/Electric Driven



Testing is performed with water, specific gravity 1.0 @ 68° F @ (20°C), other fluids may vary performance

SECTION 4E
PAGE 30
DATE 5/05

CRANE
A Crane Co. Company

PUMPS & SYSTEMS

USA: (937) 778-8947 • Canada: (905) 457-6223 • International: (937) 615-3598