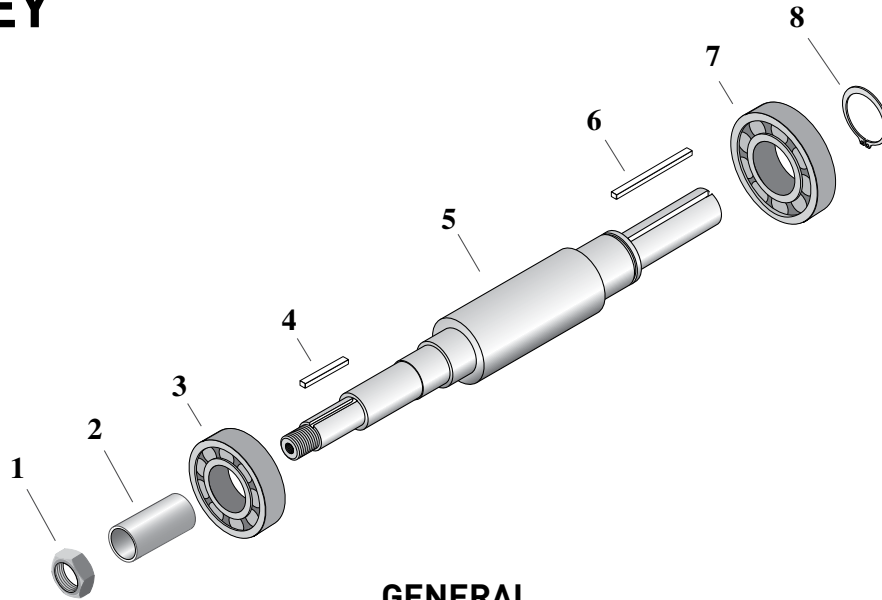




B85585 Shaft Replacement Kit

BERKELEY®



GENERAL

Unpack shaft replacement kit and compare contents with the parts list below. Kit is for pump with either clockwise or counterclockwise rotation.

California Proposition 65 Warning

▲WARNING This product and related accessories contain chemicals known to the State of California to cause cancer, birth defects or other reproductive harm.

PARTS LIST

Key No.	Part Description	Qty.	Shaft Kit No.
			B85585
1	7/8-9 Impeller Nut	1	M10220
2	Shaft Sleeve	1	M14993
3	Bearing	1	M14998
4	Impeller Key	1	S23505
5	Shaft	1	M14992
6	Shaft Key	1	M15001
7	Bearing	1	M14999
8	Retaining Ring	1	M15000

INSTALLATION

1. Thoroughly steam clean or solvent wash the bearing cavity of bearing bracket to remove old grease and dirt. Check surface of bracket for cracks, extreme corrosion, or other defects that may make replacement of the bracket necessary.
2. Bearings are sealed; they cannot be greased or regreased in the field.
3. Coat the bearing bores of bracket with oil. Orient shaft with threaded end entering bearing frame first. Slide shaft and bearing assembly into bearing bracket. When threaded end of pump shaft comes through inner bearing cap, place slinger over end of shaft. If packing gland is not of the split variety, place it over the shaft at this time as well. Slide shaft on through stuffing box until the first bearing makes contact with the bracket. Carefully align bearing with the bearing bore and press or tap bearing assembly into place. **Do not use excessive force.**
4. Reassemble pump parts and install unit. Refer to pump owners manual for correct installation procedures.