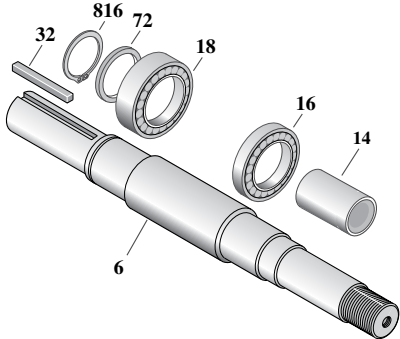


BEARING FRAME MOUNT

Section	FM
Supplement	C1
Date	March 4, 2013
Supersedes 01/01/12	

Replacement Shaft Kits

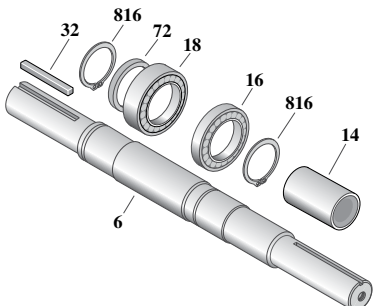
B1-1/2ZR, B2ZR CW



Ref.	Part Description	Part No.
6	Shaft, Pump	M12404
14	Sleeve, Shaft	S05127L
16	Bearing, Inboard	S13270
18	Bearing, Outboard	S13269
32	Key, Pulley 1/4" Sq.	S24255
72	Ring, Thrust	S29218
816	Ring, Retaining	S23010

B82183

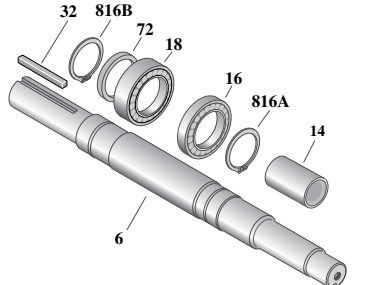
B ER CW / CCW



Ref.	Part Description	Part No.
6	Shaft, Pump	M06894
14	Sleeve, Shaft	S05127L
16	Bearing, Inboard	S29895
18	Bearing, Outboard	S13271
32	Key, Pulley 1/4" Sq.	S24255
72	Ring, Thrust	S29218
816	Ring, Retaining [2 Rqd.]	S23010

B60633

B ERB CW / CCW



Ref.	Part Description	Part No.
6	Shaft, Pump	M06675
14	Sleeve, Shaft	S05974L
16	Bearing, Inboard	S13395
18	Bearing, Outboard	S13754
32	Key, Pulley 1/4" Sq.	S24214
72	Ring, Thrust	S19221
816A	Ring, Retaining-Internal	S23016
816B	Ring, Retaining-External	S23017

B60659

BEARING FRAME MOUNT

Section	FM
Supplement	C2
Date	March 4, 2013
Supersedes 01/01/12	

Replacement Shaft Kits

B ZR CW

Ref.	Part Description	Part No.
6	Shaft, Pump	M12403
14	Sleeve, Shaft	S05127L
16	Bearing, Inboard	S13270
18	Bearing, Outboard	S13271
32	Key, Pulley 1/4" Sq.	S24255
72	Ring, Thrust	S29218
816	Ring, Retaining	S23010

B82184

B ZR CCW

Ref.	Part Description	Part No.
6	Shaft, Pump	M12402
14	Sleeve, Shaft	S05127L
16	Bearing, Inboard	S13270
18	Bearing, Outboard	S13271
32	Key, Pulley 1/4" Sq.	S24255
72	Ring, Thrust	S29218
816	Ring, Retaining	S23010

B80695

B, JR, B4EY, B GR CW

Ref.	Part Description	Part No.
6	Shaft, Pump	M05828
14	Sleeve, Shaft	S05974L
16	Bearing, Inboard	S15604
18	Bearing, Outboard	S13396
32	Key, Pulley 1/2" Sq.	S24214
72	Ring, Thrust	S06519
816	Ring, Retaining	S23016

B07596

B JR, B4EY, B GR CCW

Ref.	Part Description	Part No.
6	Shaft, Pump	M05701
14	Sleeve, Shaft	S05974L
16	Bearing, Inboard	S15604
18	Bearing, Outboard	S13396
32	Key, Pulley 1/2" Sq.	S24214
72	Ring, Thrust	S06519
816	Ring, Retaining	S23016

B07597

BEARING FRAME MOUNT

Section	FM
Supplement	C3
Date	March 4, 2013
Supersedes 01/01/12	

Replacement Shaft Kits

B3ZRM CW

Ref.	Part Description	Part No.
6	Shaft, Pump	M12399
14	Sleeve, Shaft	S05127L
16	Bearing, Inboard	S13270
18	Bearing, Outboard	S13271
24	Nut, Impeller	M10220
32	Key, Impeller	S24255
72	Ring, Thrust	S29218
816	Ring, Retaining	S23010

B80698

B3ZRM CCW

Ref.	Part Description	Part No.
6	Shaft, Pump	M12398
14	Sleeve, Shaft	S05127L
16	Bearing, Inboard	S13270
18	Bearing, Outboard	S13271
24	Nut, Impeller	U36-189SS
32	Key, Impeller	S24255
72	Ring, Thrust	S29218
816	Ring, Retaining	S23010

B80696

B3ZRMS CW

Ref.	Part Description	Part No.
6	Shaft, Pump	M12399
14	Sleeve, Shaft	S39242L
16	Bearing, Inboard	S13270
18	Bearing, Outboard	S13271
24	Nut, Impeller	M10220
32	Key, Impeller	S24255
72	Ring, Thrust	S29218
816A	Ring, Retaining	S23010
816B	Ring, Seal Retaining	S23009

B80699

B3ZRMS CCW

Ref.	Part Description	Part No.
6	Shaft, Pump	M12398
14	Sleeve, Shaft	S39242L
16	Bearing, Inboard	S13270
18	Bearing, Outboard	S13271
24	Nut, Impeller	U36-189SS
32	Key, Impeller	S24255
72	Ring, Thrust	S29218
816A	Ring, Retaining	S23010
816B	Ring, Seal Retaining	S23009

B80697

BEARING FRAME MOUNT

Section	FM
Supplement	C4
Date	March 4, 2013
Supersedes 01/01/12	

Replacement Shaft Kits

B3ZRM HYDR. CW

2103 1095

Ref.	Part Description	Part No.
6	Shaft, Pump	M12400
14	Sleeve, Shaft	S05127L
16	Bearing, Inboard	S13270
18	Bearing, Outboard	S13271
32	Key, Impeller	S24168
72	Ring, Thrust	S29218
816	Ring, Retaining	S23010

B80701

B4ZRK HYDR. CW

6061 1211

Ref.	Part Description	Part No.
6	Shaft, Pump	M12405
14	Sleeve, Shaft	S39242L
16	Bearing, Inboard	S13270
18	Bearing, Outboard	S13271
24	Nut, Impeller	M10220
32	Key	S24168
35	Bearing drip cap	M10213
51	Seal, Oil	M10216
72	Ring, Thrust	S29218
816A	Ring, Retaining	S23010
816B	Ring, Retaining	S23009

B80703

B3ZRM HYDR. CCW

2105 0212

Ref.	Part Description	Part No.
6	Shaft, Pump	M08136
14	Sleeve, Shaft	S05127L
16	Bearing, Inboard	S13270
18	Bearing, Outboard	S13271
22	Locknut, Bearing	M10221
32	Key, Impeller	S24168
78	Spacer, Bearing	S08980
805B	Washer, Lock	S16181

B75298

B6EXRB

Ref.	Part Description	Part No.
6	Shaft, Pump	M05317
14	Sleeve, Shaft	S14329L
844	Cone, Roller Bearing (2 Rqd.)	S36078
845	Cup, Roller Bearing (2 Rqd.)	S36077

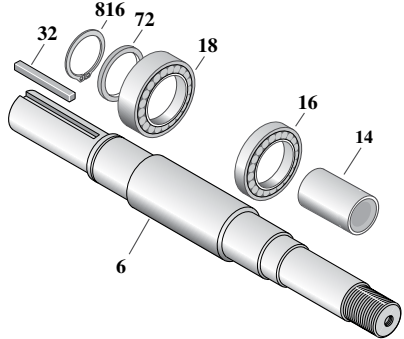
B75202

BEARING FRAME MOUNT

Section	FM
Supplement	C5
Date	March 4, 2013
Supersedes 01/01/12	

Replacement Shaft Kits

B JR CW

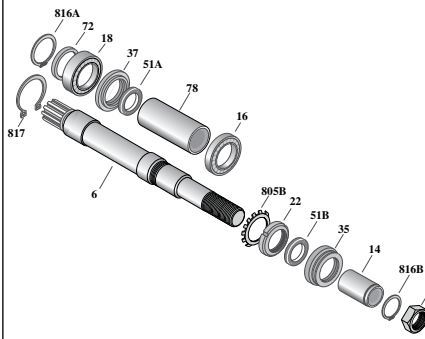


Ref.	Part Description	Part No.
6	Shaft	H05105
14	Sleeve	S05974L
16	Bearing	M15604
18	Bearing	M10184
32	Imp washer	S19275
816	Ring, Retaining, Int.	S23025
72	Ring, Thrust	S06519
14	Sleeve	S05974L

* Not illustrated.

B73051

B ZRM HYDR. CW



Ref.	Part Description	Part No.
6	Shaft	L07261
14	Sleeve	S39242L
16	Bearing	S13270
18	Bearing	M10218
37	Cap, Bearing	M10209
51A	Oil Seal	M10210
51B	Oil Seal	S14765
72	Ring, Thrust	S06519
816	Ring, Retaining, Int.	S23025
817	Ring, Retaining, Ext	s23016
*	Imp washer	S19275
*	Washer, Lock	S23038
*	Imp Screw	S23623

* Not illustrated.

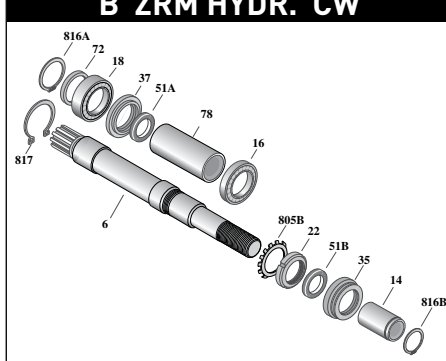
B73052

BEARING FRAME MOUNT

Section	FM
Supplement	C6
Date	March 4, 2013
Supersedes 01/01/12	

Replacement Shaft Kits

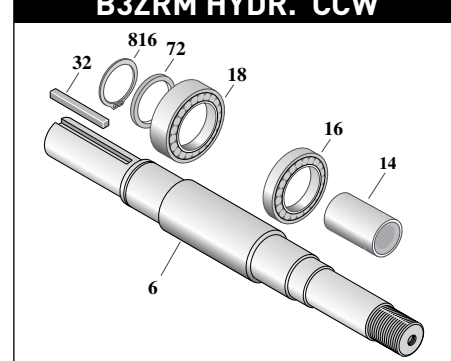
B ZRM HYDR. CW



Ref.	Part Description	Part No.
6	Shaft	L07118
14	Sleeve	S39242L
16	Bearing	S13270
18	Bearing	M10218
22	Locknut	M10221
35	Inner Bearing Cap	M10213
37	Outer Bearing Cap	M10214
51A	Oil Seal	M10217
51B	Oil Seal	M10216
72	Ring, Thrust	M10222
78	Spacer, Sleeve	M10215
805B	Washer, Lock	S16181
816A	Ring, Retaining	S23010
816B	Ring, Retaining	S23009
817	Ring, Retaining	S24652

B73053

B3ZRM HYDR. CCW



Ref.	Part Description	Part No.
6	Shaft	M12401
14	Sleeve	S05127L
16	Bearing	S13270
18	Bearing	S13271
32	Key	S24168
72	Ring, Thrust	S29218
816	Ring, Retaining	S23010

2103 1095

B79126

BEARING FRAME MOUNT

Section	FM
Supplement	C7
Date	March 4, 2013
Supersedes 01/01/12	

Replacement Shaft Kits

B ZRM HYDR. CW

Ref.	Part Description	Part No.
6	Shaft	1000000880
14	Sleeve	S05127L
16	Bearing	M12395
18	Bearing	M12394
72	Ring, Thrust	M12392
816	Ring, Retaining	M12486
817	Ring, Retaining	M12487

B80519

B ZRM CCW

Ref.	Part Description	Part No.
6	Shaft	M12402
14	Sleeve	S05127L
16	Bearing	S13270
18	Bearing	S13271
32	Key	S24255
35	Inner Bearing Cap	S19033
72	Ring, Thrust	S29218
816	Ring, Retaining	S23010
*	Outer Bearing Cap	S19914

* Not illustrated.

B80694

B Z HD DESIGN

Ref.	Part Description	Part No.
6	Shaft	M14818
14	Sleeve	M12422L
16	Bearing	S13395
18	Bearing	S13397
32A	Key	S23677
32B	Key	S23941
51	Seal, Grease [2 req]	M12337
72	Ring, Thrust	S06519
816A	Ring, Retaining	S16767
816B	Ring, Retaining	S23016
*	Water Slinger	S10964

* Not illustrated.

B85528

B Z HD DESIGN

Ref.	Part Description	Part No.
6	Shaft	M12338
14	Sleeve	M12422L
16	Bearing	S13395
18	Bearing	S13397
32A	Key	S23677
32B	Key	S23941
51	Seal, Grease [2 Rqd.]	M12337
72	Ring, Thrust	S06519
816A	Ring, Retaining	S16767
816B	Ring, Retaining	S23016
*	Water Slinger	S10964

* Not illustrated.

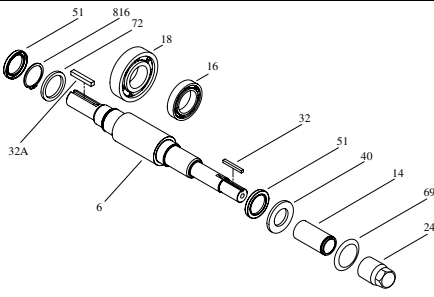
B81663

BEARING FRAME MOUNT

Section	FM
Supplement	C8
Date	March 4, 2013
Supersedes 01/01/12	

Replacement Shaft Kits

B8JR/B10JR

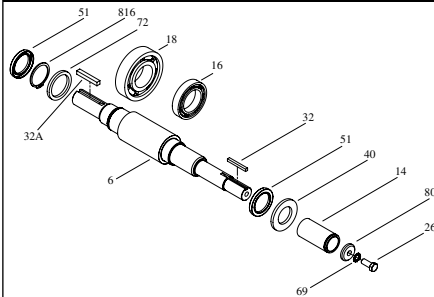


Ref.	Part Description	Part No.
6	Shaft	M15117
14	Sleeve	S29517L
16	Bearing, Inboard	M15133
18	Bearing, Outboard	M15132
24	Nut, Lock	S07829
32	Key, Impeller	M15123
32A	Key, Square 18-8 SS	M15203
40	Water Slinger	M15127
51	Oil Seal (2 Rqd.)	M15135
69	Washer	M15232
72	Ring, Thrust	M15202
816	Ring, Retaining, Int.	M15134
*	O-Ring	M15130
*	Ring, Retaining, Ext.	S29519

* Not illustrated.

B85809

B4/5/6ZRH SERIES



Ref.	Part Description	Part No.
6	Shaft	M15091
14	Sleeve	M15098L
16	Bearing, Inboard	M15097
18	Bearing, Outboard	S13754
26	Capscrew	S23621
32	Key, Impeller	S23677
32A	Key, Square, 3/8"	S23941
40	Water slinger	S10964
51	Seal, Grease	M12337
69	Washer, Impeller	S06319
72	Ring, Thrust	M15095
805	Washer, Lock	S23038
816	Ring, Retaining	M15094

B85739