

**xylem**  
Let's Solve Water

**TECHNICAL BROCHURE**

BGFESER R2



# GFE Series

CAST IRON EFFLUENT PUMPS



 **GOULDS**  
WATER TECHNOLOGY  
a xylem brand

Order Online: [www.PumpCatalog.com](http://www.PumpCatalog.com)

## Wastewater

### FEATURES

**Impeller:** Cast iron, with dual vanes. Balanced for smooth operation.  $\frac{3}{4}$  HP, high head is glass reinforced thermoplastic

**Casing:** Cast iron volute type for maximum efficiency. 1.5" or 2" NPT discharge (with included adapter)

**Mechanical Seal:** Silicon Carbide vs. Silicon Carbide sealing faces. Stainless steel metal parts, BUNA-N elastomers

**Shaft:** Corrosion-resistant, stainless steel. Threaded design

**Fasteners:** 300 series stainless steel

Capable of running dry without damage to components

Designed for continuous operation when fully submerged

Available in automatic and manual models

### APPLICATIONS

Specifically designed for the following uses:

- Homes, farms, trailer courts, motels, schools, hospitals, small business, effluent systems

### SPECIFICATIONS

#### Pump

- Solids handling capabilities:  $\frac{3}{4}$ " maximum
- Discharge size: 1.5" or 2" NPT (with included adapter)
- Capacities: up to 100 GPM
- Total heads: up to 92 feet TDH
- Temperature: 104°F (40°C) continuous, 140°F (60°C) intermittent

### MOTORS

- Fully submerged in high-grade turbine oil for lubrication and efficient heat transfer
- Class B insulation

#### Single phase (60 Hz):

- Capacitor start motors for maximum starting torque
- Built-in overload with automatic reset
- SJTOW severe duty oil and water resistant power cords
- All models have NEMA three prong grounding plugs
- Designed for continuous operation: Pump ratings are within the motor manufacturer's recommended working limits, can be operated continuously without damage when fully submerged
- Bearings: Upper and lower heavy duty ball bearing construction
- Power cable: Severe duty rated, oil and water resistant. Epoxy seal on motor end provides secondary moisture barrier in case of outer jacket damage and to prevent oil wicking. Standard cord is 20'. 30' cord is available on some models
- O-ring: Assures positive sealing against contaminants and oil leakage

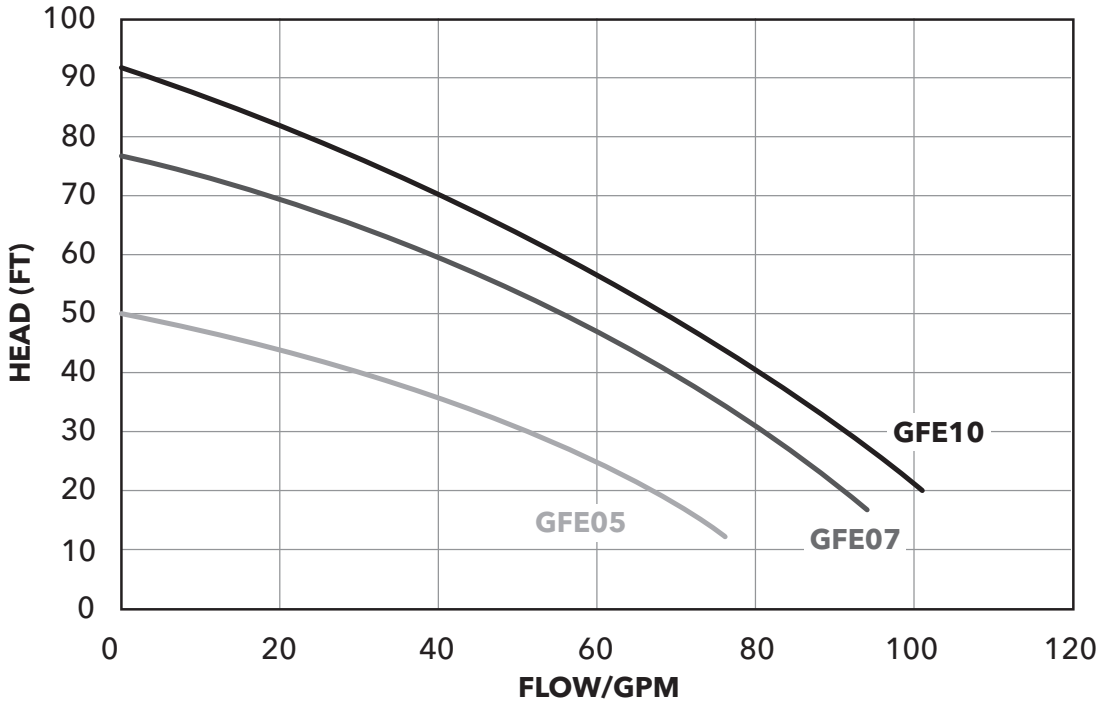
### AGENCY LISTINGS



Tested to UL 778 and CSA 22.2 108 Standards  
By Canadian Standards Association

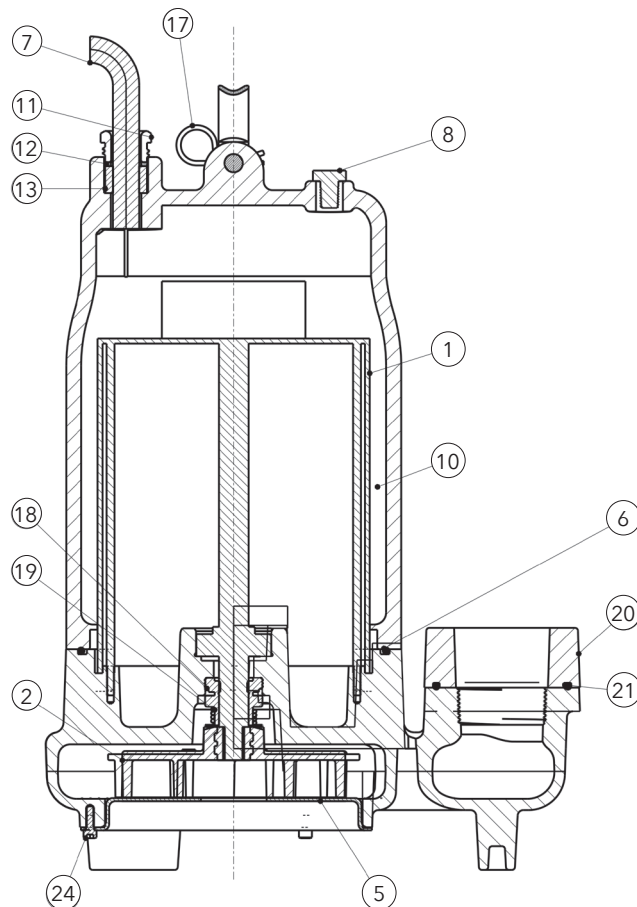
Wastewater

**HEAD COMPARISON**



**COMPONENTS**

Item No.	Description
1	Motor
2	Impeller
3	Motor Cover
4	Casing
5	Impeller Cover
6	O-ring
7	Cord
8	Pipe Plug
9	Hex Cap Screws
10	Insulating Oil
11	Gland Nut
12	Washer
13	Strain Relief Packing
14	Handle
15	Handle Pin
16	Washer
17	Hair Pin
18	Mechanical Seal
19	Mechanical Seal
20	2" Adaptor
21	Adaptor O-Ring
22	Hex Cap Screw
23	Mono-Vane Impeller
24	Machine Screw



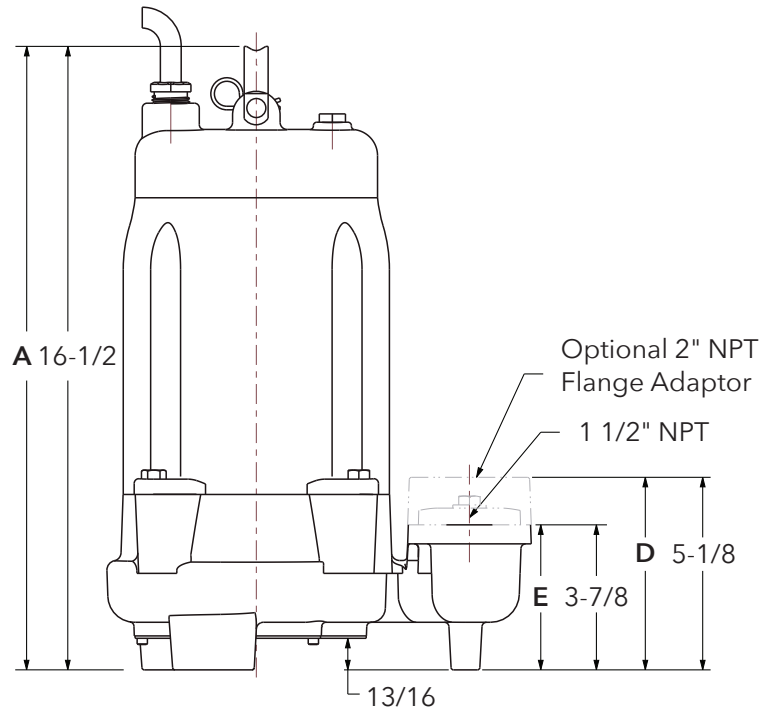
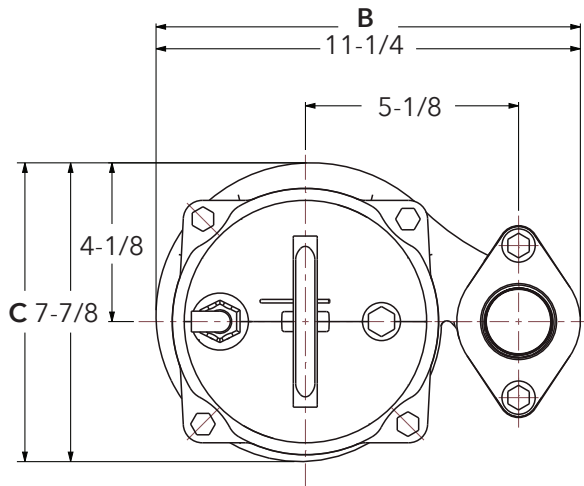
Wastewater

PRODUCT SPECIFICATIONS

Part No.	HP	Volts	Max. Amps	Locked Rotor Amps	Min. Circuit Breaker	Phase	RPM	Impeller Diameter (in.)	Float Switch Style	Cord Length (ft.)	Power Cable Size	Discharge Connection (in.)	Max. Solids Size	Shipping Weight (lbs.)	
GFE0511	1/2	115	14.5	46.0	15A	1	3400	3.56	Vertical	20'	14/3	1.5" or 2" NPT	3/4"	64.5	
GFE0511M				46.0				3.56	Not Supplied						
GFE0712	3/4	230	10	27.5				4.32	Vertical	20'				30'	64.5
GFE0712M				27.5					4.32						
GFE0712M30				27.5					4.32	Not Supplied					
GFE0712 30				27.5					4.32	Vertical					
GFE1012				1					12.5	36.2					
GFE1012M	4.67	Not Supplied													
GFE1012M30	4.67	Not Supplied													
GFE1012 30	4.67	Vertical	30'					68							
GFE1012 30	4.67	Vertical	30'												

DIMENSIONS

	A	B	C	D	E
All Models	16 1/2"	11 1/4"	7 7/8"	5 1/8"	3 7/8"



Wastewater



**K-SERIES**

- NEMA 4X dead front outdoor rated enclosure
- Red LED alarm beacon
- HOA selector switch
- Field wiring terminal block
- Single phase models handle 120, 208 and 230V service
- Three phase models handle 200, 230 and 460V service
- Requires separate control/alarm power feed
- See brochure "BCPKSDPANELS" for additional information

**STANDARD SERIES**

- NEMA 4X outdoor rated enclosure
- Red alarm beacon
- HOA selector switch
- Through door pump run light(s)
- Through door alarm test and horn silence button
- Single phase models handle 120, 208 and 230V service
- Three phase models handle 200, 230, 460 and 575V service
- Accepts single or dual power feed
- See brochure "BCP3 R11" for additional information on simplex models
- See brochure "BCP4 R14" for additional information on duplex models

# Xylem |'zīləm|

- 1) The tissue in plants that brings water upward from the roots;
- 2) a leading global water technology company.

We're a global team unified in a common purpose: creating advanced technology solutions to the world's water challenges. Developing new technologies that will improve the way water is used, conserved, and re-used in the future is central to our work. Our products and services move, treat, analyze, monitor and return water to the environment, in public utility, industrial, residential and commercial building services settings. Xylem also provides a leading portfolio of smart metering, network technologies and advanced analytics solutions for water, electric and gas utilities. In more than 150 countries, we have strong, long-standing relationships with customers who know us for our powerful combination of leading product brands and applications expertise with a strong focus on developing comprehensive, sustainable solutions.

**For more information on how Xylem can help you, go to [www.xylem.com](http://www.xylem.com)**



Xylem Inc.  
2881 East Bayard Street Ext., Suite A  
Seneca Falls, NY 13148  
Phone: (866) 325-4210  
Fax: (888) 322-5877  
[www.xylem.com/goulds](http://www.xylem.com/goulds)

Goulds is a registered trademark of Goulds Pumps, Inc. and is used under license.  
© 2021 Xylem Inc. BGFESER R2 July 2021

**Order Online: [www.PumpCatalog.com](http://www.PumpCatalog.com)**