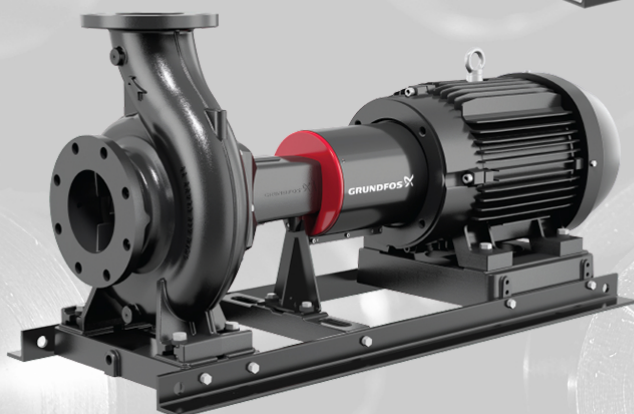
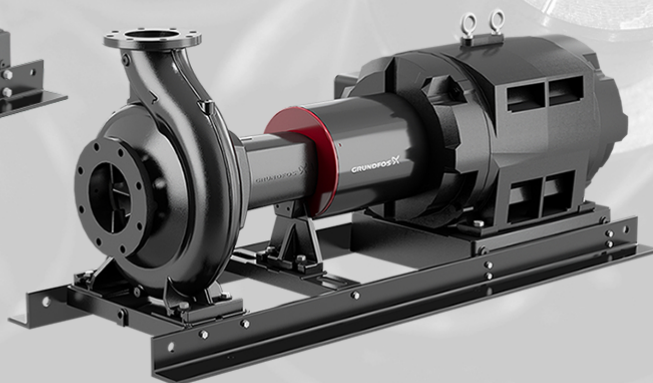
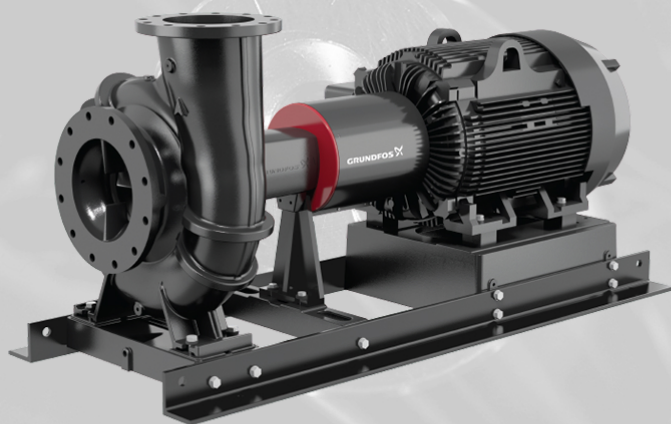


Service Kit Catalogue

NK - Range 6

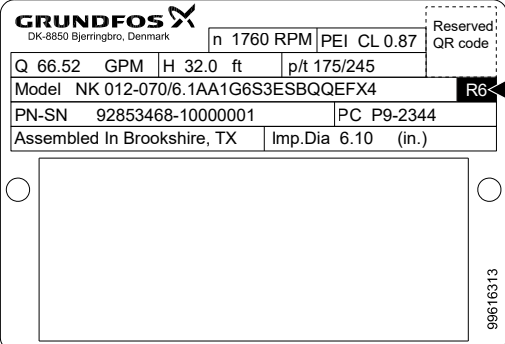


1. Where does NK – Range 6 fit in the overall picture of end suction	3
How to search correct service parts	3
2. Type key, NK	4
Letter codes for shaft seals	6
Codes for rated motor power	6
Codes for phase and voltage or other information	7
Codes for speed variant	7
3. Overview of kits/spares	8
Centre-line outlet, single seal, closed impeller	8
Tangential outlet, single seal, closed impeller	9
Bearing brackets	10
Couplings and base frames	11
4. Service kits and spares	12
Kit - Pump housing without wear ring	12
Kit - Pump housing machined for wear ring	14
Pump housing plugs	16
Kit/spare - Wear ring	17
Kit/spare - Covers	19
Kit/bulk - Nut, washers and key for impeller	21
Kit - Shaft	23
Kit - Shaft guard	25
Kit - Coupling guard, standard coupling (Woods)	26
Kit - Coupling guard, standard coupling (Falk)	29
Kit - Coupling guard, spacer coupling (Falk)	32
Kit - Foot for spacer coupling guard	35
Kit - Standard bearing bracket	38
Kit - Heavy Duty bearing bracket, re-greaseable	39
Kit - Bearing bracket foot	41
Kit - Pump hub, standard coupling	42
Kit/spare/bulk- Rubber, standard coupling	45
Kit - Motor hub, standard coupling	49
Kit – Grid coupling cpl., standard	52
Kit – Grid coupling cpl., spacer	55
Kit - Grid coupling wear parts	59
Kit - Loose flange(s)	62
Kit/spare - Sensor	63
Kit - Base frame, standard coupling	64
Kit - Base frame, spacer coupling	67
Spare - Impeller	68
Spare/bulk - Shaft seal and seal spacer	76
Pump nameplate	80
Spare/bulk - O-rings	81
5. Exploded drawings	83

1. Where does NK – Range 6 fit in the overall picture of end suction

The pump range can be identified via this field on the nameplate as shown below.

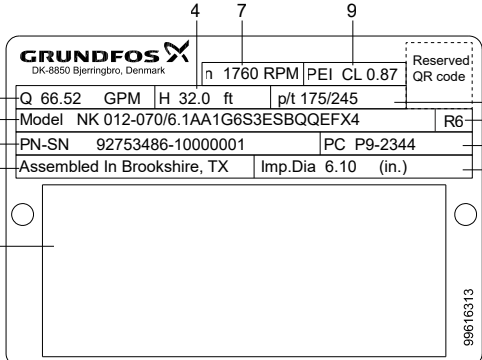
	Range		
	IEC motor ¹⁾		NEMA motor ²⁾
	1	2	6
NB(E)	X		X
NBG(E)	X		
NBS(E)			X
NK(E)	X	X	X
NKG(E)	X		



- 1) The motors fitted with the pumps are according to the IEC standard (International Electrotechnical Commission) for frame size, dimensions and connecting interfaces (flange and shaft).
- 2) The motors fitted with the pumps are according to the NEMA standard (National Electrical Manufacturers Association - USA) for frame size, dimensions and connecting interfaces (flange and shaft).

How to search correct service parts

To search correct service parts, the information on the pump nameplate is vital. The pump nameplate contains all data required for this.



TM081795

Example of NK nameplate

Pos.	Description
1	Type designation
2	Identification code
	92753486 Product number
	10000001 Serial number
5	Production code - production site, year and week
12	Range identification (service range code)

These data above should be referenced whenever any replacement kit or spare is ordered.

When ordering replacement impellers, additional information like duty point and impeller trim (8) are required data.

2. Type key, NK

Example 1: NK 025-095/08.43AA2G6S3ESBQQETX2

Example 2: NK 040-150/16.77AY1G7TBESDQQE1X4

Example 3: NK 060-135/1291-1276AAEG7TBESDQQEWX4

Pos.	1	2	3	4	5	6	7	8	9	10	11	12	13	14	15	16	17
Example 1	NK	025	-095	/08.43		A		A2	G	6	S3	E	S	BQQE	T	X	2
Example 2	NK	040	-150	/16.77		A		Y1	G	7	TB	E	S	DQQE	1	X	4
Example 3	NK	060	-135	/12.91-12.76		A		AE	G	7	TB	E	S	DQQE	W	X	4

Pos.	Explanation
1	Type range
2	Nominal diameter of outlet port (DN)
3	Nominal impeller diameter [inch]
4	Actual impeller diameter [inch]
	Impeller type
	'blank': Closed impeller, cylindrical trim. If one dimension is shown the impeller has a cylindrical trim, for example 16.77
5	'blank': Closed impeller, conical trim. If two dimensions are shown the impeller has a conical trim, for example 12.91-12.76 S: Special open impeller V: Super vortex impeller
	Hydraulic version
6	A: 1st version B: 2nd version C: 3rd version D: 4th version
	Sensor/motor version
7	'blank': Pump without sensor C: Without built-in sensor, one cable and one pressure sensor are supplied with the pump. S: Pump with built-in differential-pressure sensor, Series 2000 G: Non -E pump/ -E pump with semi-integrated VFD/CUE: Motor with Grounding ring: Non drive-end H: Non -E pump/ -E pump with semi-integrated VFD/CUE: Motor with hybrid bearing (HYB): Non drive-end I: Non -E pump/ -E pump with semi-integrated VFD/CUE: Motor with insulated bearing: Non drive-end
	Code for pump version; the codes may be combined
8	A1: Basic version, grease-lubricated standard bearing design, standard coupling A2: Basic version, grease-lubricated standard bearing design, spacer coupling B: Oversize motor (+E): With ATEX approval, certificate or test report, the second character of the pump version code is an E G1: Grease-lubricated heavy-duty bearing design, standard coupling G2: Grease-lubricated heavy-duty bearing design, spacer coupling I1: Pump without motor, grease-lubricated standard bearing design, standard coupling I2: Pump without motor, grease-lubricated standard bearing design, spacer coupling J1: Pump without motor, grease-lubricated heavy-duty bearing design, standard coupling J2: Pump without motor, grease-lubricated heavy-duty bearing design, spacer coupling Y1: Bare shaft pump, grease-lubricated standard bearing design W1: Bare shaft pump, grease-lubricated heavy-duty bearing design Z1: Bare shaft pump, oil-lubricated heavy-duty bearing design X: Special version; used in case of further customization than already listed
9	Pipe connection G: ANSI flange
10	Flange pressure rating (PN - rated pressure) 5: Other pressure rating 6: Class 125, 175 PSI 7: Class 300, 363 PSI

Pos.	Explanation																																																																																																				
	Code for materials																																																																																																				
	<table border="1"> <thead> <tr> <th>Code</th> <th>Pump housing</th> <th>Impeller</th> <th>Wear ring</th> <th>Shaft</th> </tr> </thead> <tbody> <tr> <td>S3</td> <td>A48 Class 35</td> <td>304</td> <td>No wear ring</td> <td>1.0503+304 sleeve</td> </tr> <tr> <td>S4</td> <td>A48 Class 35</td> <td>304</td> <td>No wear ring</td> <td>316</td> </tr> <tr> <td>S5</td> <td>A48 Class 35</td> <td>304</td> <td>No wear ring</td> <td>SAF 2205</td> </tr> <tr> <td>S8</td> <td>A48 Class 35</td> <td>316</td> <td>No wear ring</td> <td>316</td> </tr> <tr> <td>S9</td> <td>A48 Class 35</td> <td>316</td> <td>No wear ring</td> <td>SAF 2205</td> </tr> <tr> <td>SB</td> <td>70-50-05</td> <td>304</td> <td>No wear ring</td> <td>1.0503+304 sleeve</td> </tr> <tr> <td>SC</td> <td>70-50-05</td> <td>304</td> <td>No wear ring</td> <td>316</td> </tr> <tr> <td>SD</td> <td>70-50-05</td> <td>304</td> <td>No wear ring</td> <td>SAF 2205</td> </tr> <tr> <td>11 SG</td> <td>70-50-05</td> <td>316</td> <td>No wear ring</td> <td>316</td> </tr> <tr> <td>SH</td> <td>70-50-05</td> <td>316</td> <td>No wear ring</td> <td>SAF 2205</td> </tr> <tr> <td>SI</td> <td>70-50-05</td> <td>304</td> <td>No wear ring</td> <td>SAF 2507</td> </tr> <tr> <td>SJ</td> <td>70-50-05</td> <td>316</td> <td>No wear ring</td> <td>SAF 2507</td> </tr> <tr> <td>SK</td> <td>A48 Class 35</td> <td>304</td> <td>No wear ring</td> <td>SAF 2507</td> </tr> <tr> <td>SL</td> <td>A48 Class 35</td> <td>316</td> <td>No wear ring</td> <td>SAF 2507</td> </tr> <tr> <td>T2</td> <td>A48 Class 35</td> <td>CD4MCuN/A890</td> <td>No wear ring</td> <td>SAF 2205</td> </tr> <tr> <td>T3</td> <td>A48 Class 35</td> <td>CD4MCuN/A890</td> <td>No wear ring</td> <td>SAF2507</td> </tr> <tr> <td>TA</td> <td>70-50-05</td> <td>CD4MCuN/A890</td> <td>No wear ring</td> <td>SAF 2205</td> </tr> <tr> <td>TB</td> <td>70-50-05</td> <td>CD4MCuN/A890</td> <td>No wear ring</td> <td>SAF 2507</td> </tr> <tr> <td>X</td> <td>Special version</td> <td></td> <td></td> <td></td> </tr> </tbody> </table>	Code	Pump housing	Impeller	Wear ring	Shaft	S3	A48 Class 35	304	No wear ring	1.0503+304 sleeve	S4	A48 Class 35	304	No wear ring	316	S5	A48 Class 35	304	No wear ring	SAF 2205	S8	A48 Class 35	316	No wear ring	316	S9	A48 Class 35	316	No wear ring	SAF 2205	SB	70-50-05	304	No wear ring	1.0503+304 sleeve	SC	70-50-05	304	No wear ring	316	SD	70-50-05	304	No wear ring	SAF 2205	11 SG	70-50-05	316	No wear ring	316	SH	70-50-05	316	No wear ring	SAF 2205	SI	70-50-05	304	No wear ring	SAF 2507	SJ	70-50-05	316	No wear ring	SAF 2507	SK	A48 Class 35	304	No wear ring	SAF 2507	SL	A48 Class 35	316	No wear ring	SAF 2507	T2	A48 Class 35	CD4MCuN/A890	No wear ring	SAF 2205	T3	A48 Class 35	CD4MCuN/A890	No wear ring	SAF2507	TA	70-50-05	CD4MCuN/A890	No wear ring	SAF 2205	TB	70-50-05	CD4MCuN/A890	No wear ring	SAF 2507	X	Special version			
Code	Pump housing	Impeller	Wear ring	Shaft																																																																																																	
S3	A48 Class 35	304	No wear ring	1.0503+304 sleeve																																																																																																	
S4	A48 Class 35	304	No wear ring	316																																																																																																	
S5	A48 Class 35	304	No wear ring	SAF 2205																																																																																																	
S8	A48 Class 35	316	No wear ring	316																																																																																																	
S9	A48 Class 35	316	No wear ring	SAF 2205																																																																																																	
SB	70-50-05	304	No wear ring	1.0503+304 sleeve																																																																																																	
SC	70-50-05	304	No wear ring	316																																																																																																	
SD	70-50-05	304	No wear ring	SAF 2205																																																																																																	
11 SG	70-50-05	316	No wear ring	316																																																																																																	
SH	70-50-05	316	No wear ring	SAF 2205																																																																																																	
SI	70-50-05	304	No wear ring	SAF 2507																																																																																																	
SJ	70-50-05	316	No wear ring	SAF 2507																																																																																																	
SK	A48 Class 35	304	No wear ring	SAF 2507																																																																																																	
SL	A48 Class 35	316	No wear ring	SAF 2507																																																																																																	
T2	A48 Class 35	CD4MCuN/A890	No wear ring	SAF 2205																																																																																																	
T3	A48 Class 35	CD4MCuN/A890	No wear ring	SAF2507																																																																																																	
TA	70-50-05	CD4MCuN/A890	No wear ring	SAF 2205																																																																																																	
TB	70-50-05	CD4MCuN/A890	No wear ring	SAF 2507																																																																																																	
X	Special version																																																																																																				
12	Rubber parts in pump E: EPDM F: FXM (Fluoraz®) K: FFKM (Kalrez®) M: FEPS (PTFE-sheathed silicone O-ring) O: HNBR V: FKM (Viton®)																																																																																																				
13	Shaft seal arrangement S: Single seal																																																																																																				
14	Shaft seal(s) in pump Letter for mechanical shaft seal and shaft seal rubber parts <ul style="list-style-type: none"> 4 letters: Single mechanical shaft seal, such as BQQE 																																																																																																				
15	Code for rated motor power [kW]. See Codes for rated motor power.																																																																																																				
16	Code for phase and voltage [V] or other information. See Codes for phase and voltage or other information.																																																																																																				
17	Code for speed variant [rpm]. See Codes for speed variant.																																																																																																				

Example 1: NK 025-095/08.43AA2G6S3ESBQQETX2 shows an NK 025-095 pump with these characteristics:

- 08.43 inch closed impeller, cylindrical trim
- hydraulic version A
- pump without sensor
- grease-lubricated standard bearing design
- spacer coupling
- ANSI flange to ASME/ANSI B16.1
- Class 125, 174 PSI
- cast iron pump housing, A48 Class 35
- stainless steel impeller, 304
- no wear ring
- shaft 1.0503 + 304 sleeve
- EPDM O-rings for pump cover and seal cover
- single shaft seal arrangement
- BQQE shaft seal
- 60 HP motor, US DOE regulated motor, 2-pole, 60 Hz.

Example 2: NK 060-135/12.91-12.76AEG7TBESDQQEWX4 shows an NK 060-135 pump with these characteristics:

- 12.91-12.67 inch closed impeller, conical trim
- hydraulic version A
- pump without sensor
- grease-lubricated heavy-duty bearing design
- with certificate/report
- ANSI flange to ASME/ANSI B16.1
- Class 300, 363 PSI
- ductile iron pump housing, ASTM 70-50-05
- CD4MCuN/A890 impeller
- no wear ring
- shaft, SAF 2507
- EPDM O-rings for pump cover and seal cover
- single shaft seal arrangement
- DQQE shaft seal
- 125 HP motor, US DOE regulated motor, 4-pole, 60 Hz.

Letter codes for shaft seals

Pos. 14 in NK type key example.

Code	Description	Explanation
B	Shaft seal type	A: O-ring seal with fixed driver B: Rubber bellows seal D: O-ring seal, balanced H: Cartridge seal, balanced
Q	Material of rotating seal face	A: Carbon, metal-impregnated with antimony which is not approved for potable water B: Carbon, resin-impregnated Q: Silicon carbide
Q	Material of stationary seal	A: Carbon, metal-impregnated with antimony which is not approved for potable water Q: Silicon carbide
E	Material of secondary seal and other rubber and composite parts, except the wear ring	E: EPDM V: FKM (Viton®) F: FXM (Fluoraz®) K: FFKM (Kalrez®) X: HNBR U: Dynamic O-rings in FFKM and static O-rings in PTFE

For a thorough description of shaft seal types and materials, see the data booklet "NB, NBG, NK, NKG, NBE, NBGE, NKE, NKGE - Custom-built pumps according to EN 733 and ISO 2858".

Codes for rated motor power

Code	Description	
	[hp]	[kW]
A	0.16	0.12
B	0.25	0.18
C	0.33	0.25
D	0.5	0.37
E	0.75	0.55
F	1	0.75
G	1.5	1.1
H	2	1.5
I	3	2.2
J	4	3
K	5 (5.5 ³⁾)	3.7 (4 ³⁾)
L	7.5	5.5
M	10	7.5
N	15	11
O	20	15
P	25	18.5
Q	30	22
R	40	30
S	50	37
T	60	45
U	75	55
V	100	75
W	125	90
X	Bare shaft pump	
Y	> 200 ⁴⁾	> 150 ⁴⁾
1	150	110
2	175	132
3	200	150
4	215 ⁵⁾	160 ⁵⁾
5	250 ⁵⁾	185 ⁵⁾
6		26

³⁾ Value in bracket is for the standard IEC motor size. Value outside bracket is for the motor size according to NEMA standards.

⁴⁾ Used for pumps where the pump shaft input power exceeds 200 hp (150 kW) and is not regulated under the DOE pump rule.

⁵⁾ Special cases with power sizes above 200 hp (150 kW) which are still regulated under the DOE pump rule. For example: Pump has a P2 value of 198 hp (147.6 kW) in its duty point (in DOE scope) but customer wants the 215 hp (160 kW) motor instead of the 200 hp (150 kW). The pump is in scope of the DOE regulation and requires a PEI value and a motor code.

Codes for phase and voltage or other information

Code	Description
A	E-motor (ECM ⁶⁾), 1 x 200-240 V
B	E-motor (ECM ⁶⁾), 3 x 200-240 V
C	E-motor (ECM ⁶⁾), 3 x 440-480 V
D	E-motor (ECM ⁶⁾), 3 x 380-500 V
W	Not for sale in North America
X	No motor or US DOE regulated motor (CC marked motor)
Y	Out of DOE scope
Z	E-motor, asynchronous motor

⁶⁾ ECM: Electronically Commutated Motor.

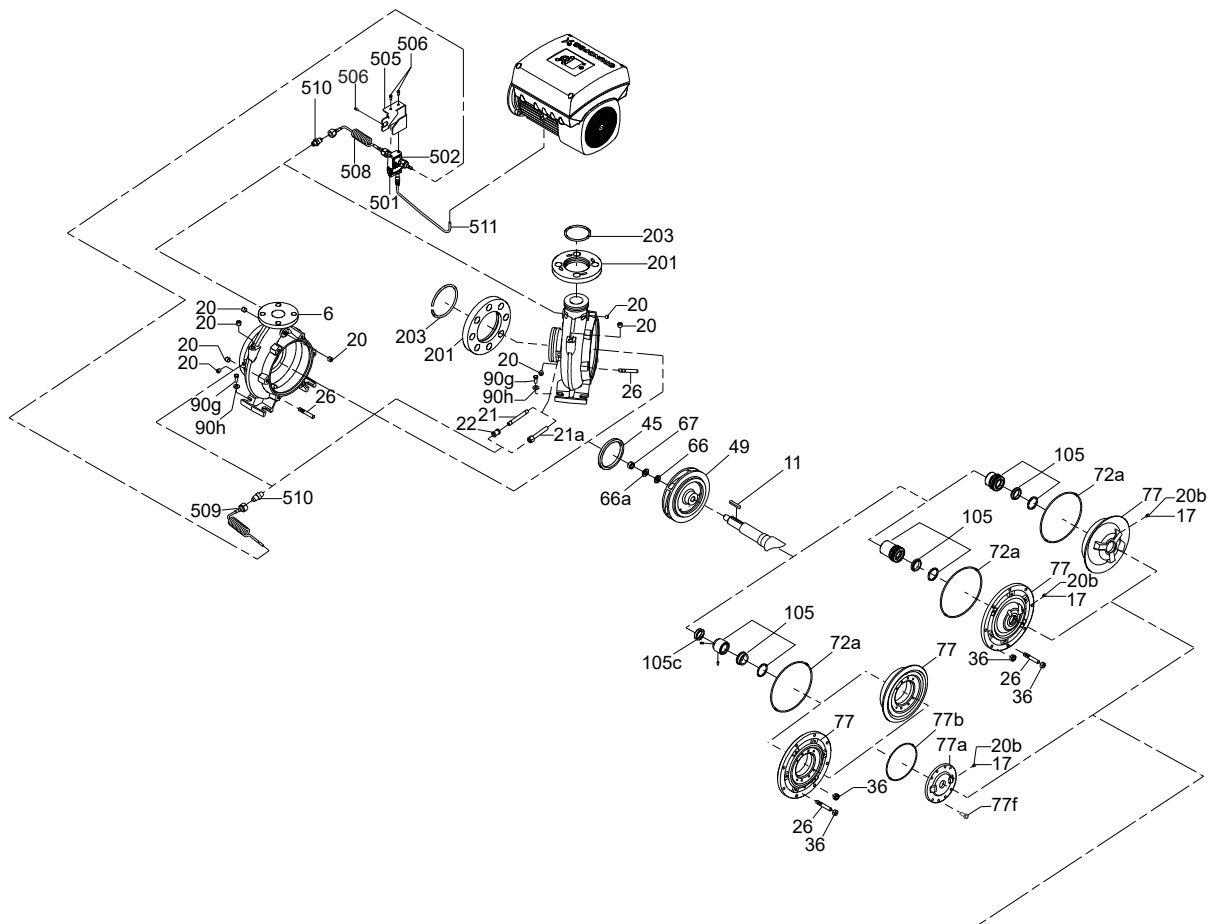
Codes for speed variant

Code	Description
A	1450-2200 RPM, E-motor (ECM ⁷⁾)
B	2900-4000 RPM, E-motor (ECM ⁷⁾)
C	4000-5900 RPM, E-motor (ECM ⁷⁾)
1	2-pole, 50 Hz (Asynchronous motor)
2	2-pole, 60 Hz (Asynchronous motor)
3	4-pole, 50 Hz (Asynchronous motor)
4	4-pole, 60 Hz (Asynchronous motor)
5	6-pole, 50 Hz (Asynchronous motor)
6	6-pole, 60 Hz (Asynchronous motor)
7	8-pole, 50 Hz (Asynchronous motor)
8	8-pole, 60 Hz (Asynchronous motor)

⁷⁾ ECM: Electronically Commutated Motor.

3. Overview of kits/spares

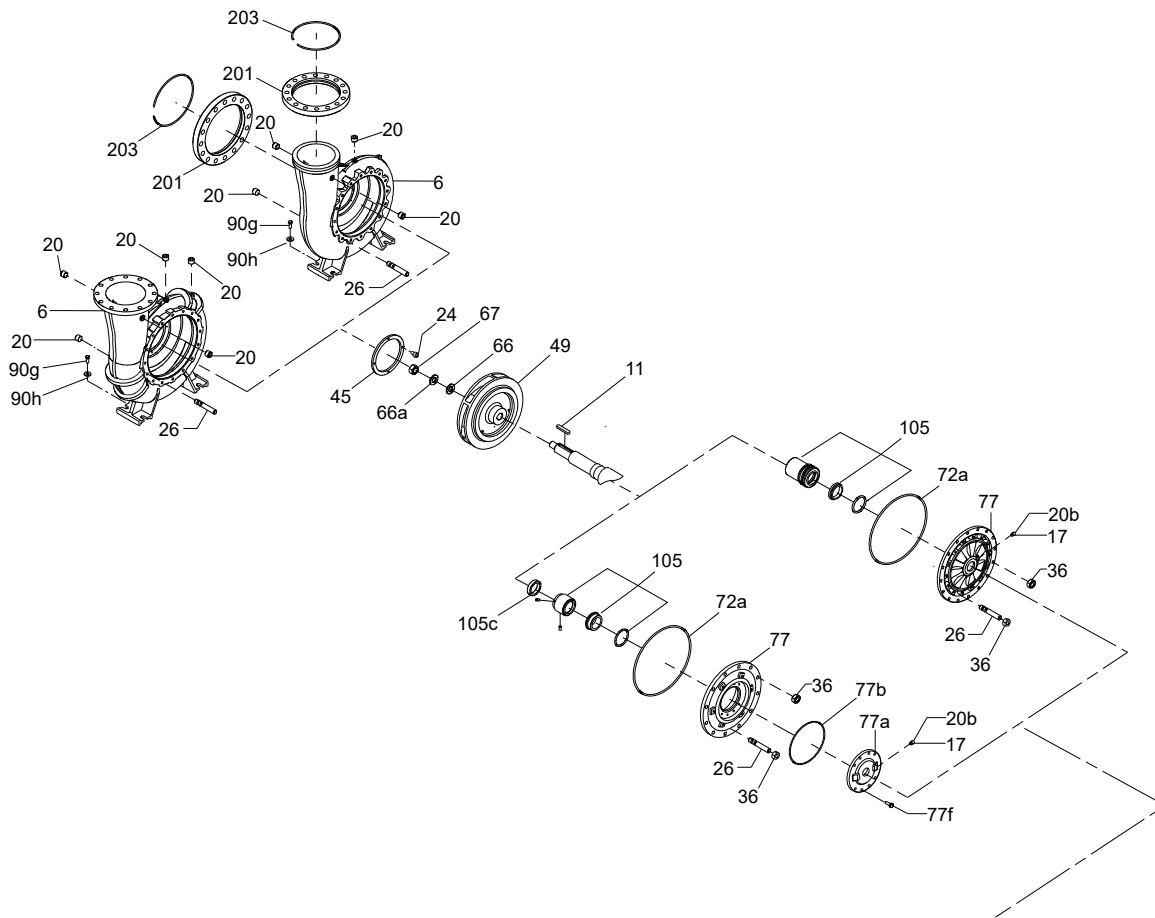
Centre-line outlet, single seal, closed impeller



TM082179

Kit - Pump housing	Spare/bulk - O-rings
Kit/spare- Wear ring	Kit/spare - Covers
Kit/bulk - Nut, washers and key for impeller	Spare - Impeller
Kit/spare- Sensor	Spare/bulk - Shaft seal and seal spacer
Kit - Loose flange(s)	

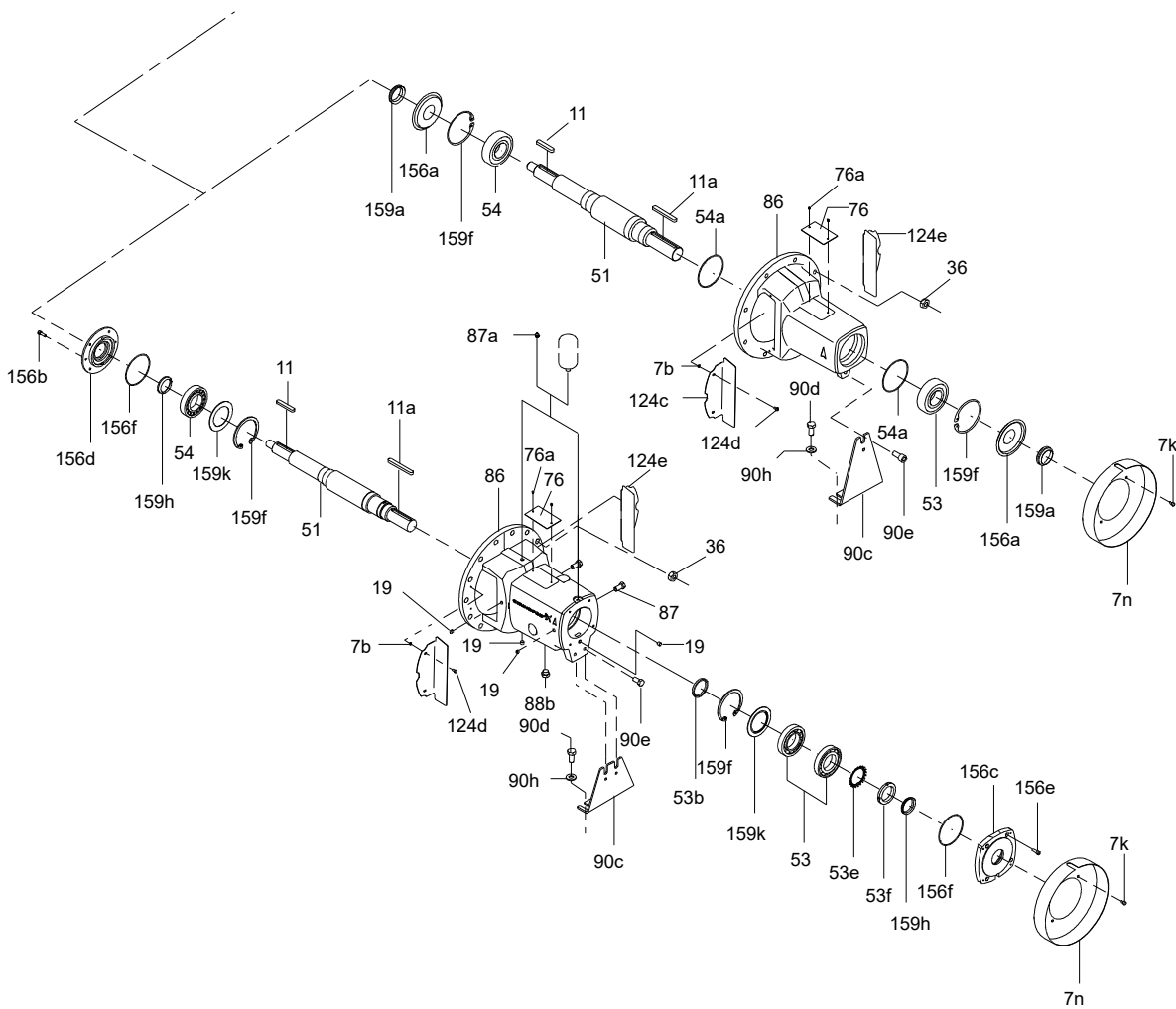
Tangential outlet, single seal, closed impeller



TM082180

Kit - Pump housing	Spare/bulk - O-rings
Kit/spare - Wear ring	Kit/spare - Covers
Kit/bulk - Nut, washers and key for impeller	Spare - Impeller
Kit - Loose flange(s)	Spare/bulk - Shaft seal and seal spacer

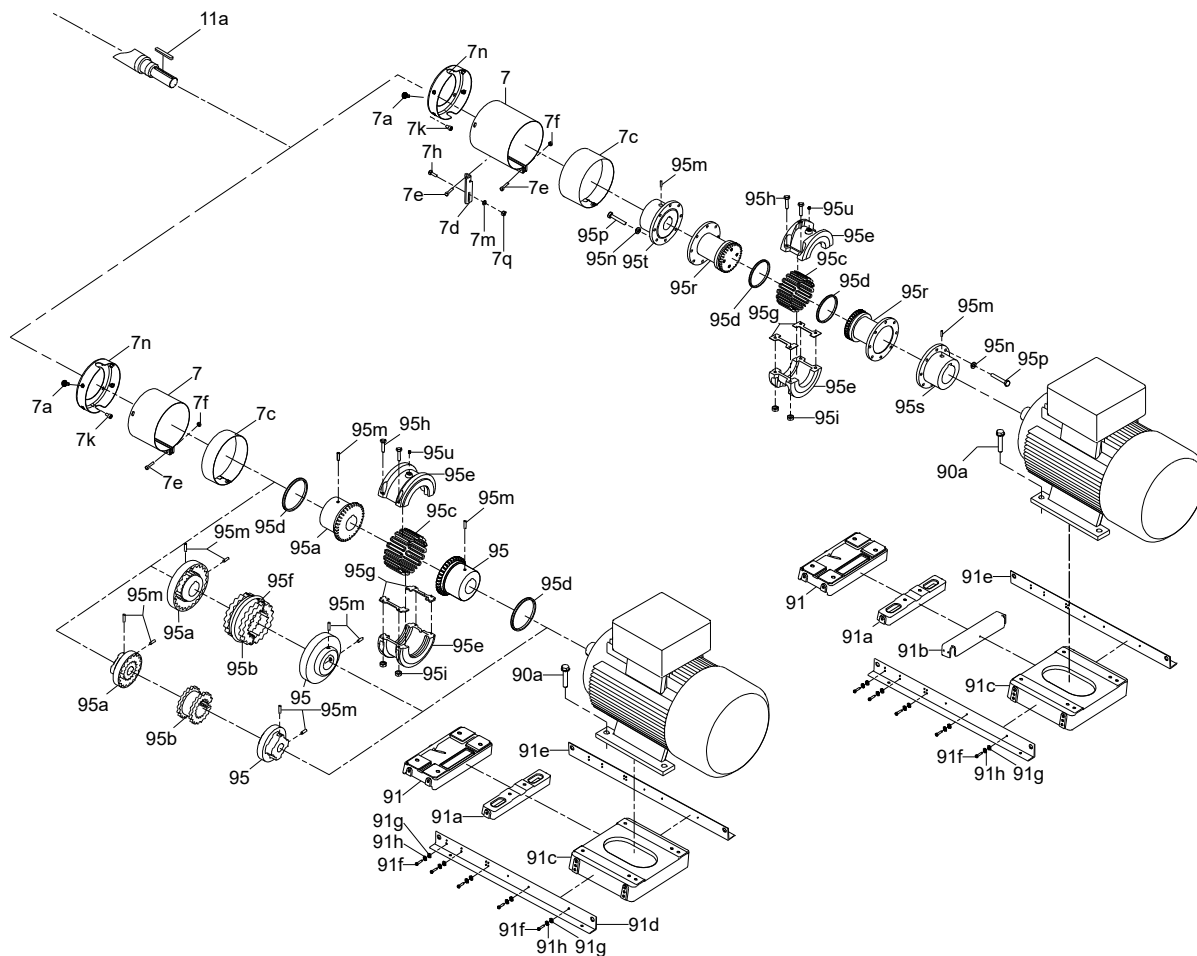
Bearing brackets



TM082104

Standard bearing bracket (greased for life)	Heavy Duty bearing bracket (re-greaseable)	Heavy Duty bearing bracket (oil-lub.)
Kit - Shaft	Kit - Shaft	Kit - Shaft
Kit - Shaft guard	Kit - Shaft guard	Kit - Shaft guard
Kit - Standard bearing bracket	Kit - HD bearing bracket, re-greaseable	
Kit - Standard bearings	Kit - HD bearings, re-greaseable	
Kit - Bearing bracket foot	Kit - Bearing bracket foot	Kit - Bearing bracket foot
Kit - V-rings	Kit - Bearing cover, end	Kit - Bearing cover, end
	Kit - Bearing cover, front	Kit - Bearing cover, front
	Kit - V-rings	

Couplings and base frames



TM082105

Standard coupling	Spacer coupling
Kit - Coupling guard, standard coupling	Kit - Coupling guard, spacer coupling
Kit - Pump hub, standard coupling	Kit - Foot for spacer coupling guard
Kit/spare/bulk - Rubber, standard coupling	Kit - Grid coupling cpl., spacer
Kit - Motor hub, standard coupling	Kit - Grid coupling wear parts
Kit - Standard coupling	Kit - Base frame, spacer coupling
Kit - Base frame, standard coupling	

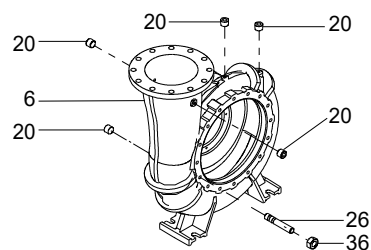
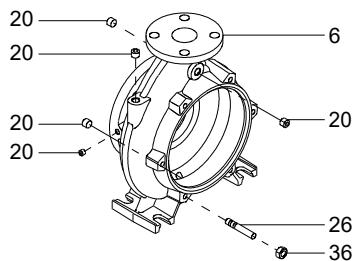
4. Service kits and spares

Kit - Pump housing without wear ring

Pump housing without wear ring: The interface between the pump housing and the impeller is machined in the cast iron pump housing.

PN 10 (16) / Class 125 (150)

EN-GJL-250 / ASTM A48 class 35



NOTE! Plugs (20) in the pump housing are described in section Pump housing plugs.

Kit - Pump housing without wear ring, cast iron - low pressure

6: Pump housing

20: Needed number of plugs for draining, filling, sensor and shaft seal flushing

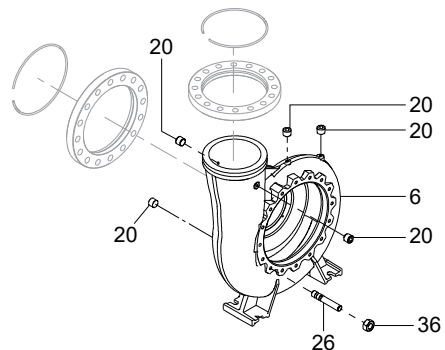
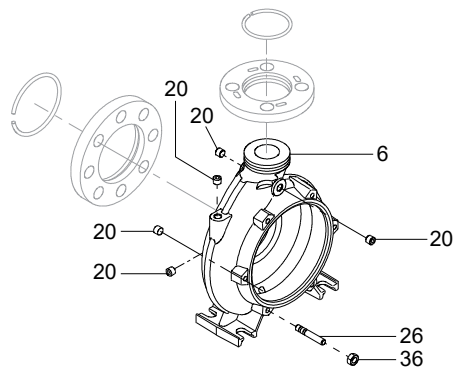
26: Needed number of stay bolts

36: Needed number of nuts that fit stay bolts

TM1040169

PN 25 / Class 300

EN-GJS-500-7 / ASTM 70-50-05



NOTE! Plugs (20) in the pump housing are described in section Pump housing plugs.

Kit - Pump housing without wear ring, cast ductile iron - high pressure

6: Pump housing

20: Needed number of plugs for draining, filling, sensor and shaft seal flushing. Not for coated version.

26: Needed number of stay bolts

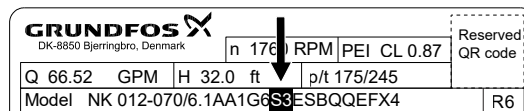
36: Needed number of nuts that fit stay bolts

TM1040170

Step 1: Find the pump size and note the pump housing code.

Pump size	Pump housing code	Pump size	Pump housing code
012-070	A1	040-110	C6
015-070	A2	040-135	D6
015-090	B2a	040-150	E6
015-095	B2	050-070	A6
020-095	B3	050-095	B7
020-110	C3	050-110	C7
020-135	D3	050-135	D7
025-070	A3	050-150	E7
025-095	B4	060-095	B8
025-110	C4	060-110	C8
030-070	A4	060-135	D8
030-095	B5	060-150	E8
030-110	C5	080-135	D9
030-135	D5	080-150	E9
040-070	A5	100-150	EA
040-095	B6		

Step 2: Use the pump housing code and the material code to find the pump housing kit.



Material code

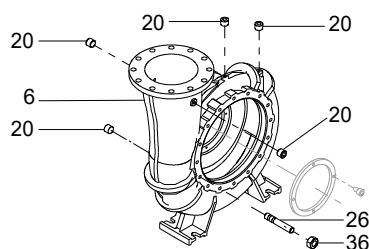
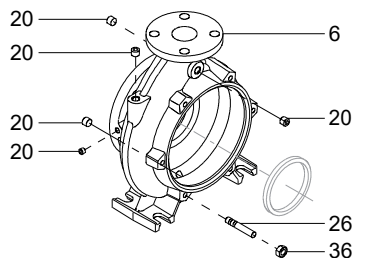
Pump housing code	Material code			
	S3, S4, S5, S8, S9, SK, SL, T2, T3		SB, SC, SD, SG, SH, SI, SJ, TA, TB	
	(Cast iron, EN-GJL-250)		(Ductile iron EN-GJS-500-7)	
	Class 125		Class 300	
	Uncoated	Coated	Uncoated	Coated
A1	92521491	92521492	92521495	92521496
A2	92521249	92521250	92521254	92521255
A3	92521267	92521268	92521271	92521272
A4	92521275	92521276	92521279	92521280
A5	92521283	92521284	92521287	92521288
A6	92521258	92521260	92521263	92521264
B2a	92521299	92521300	92521303	92521304
B2	92521291	92521292	92521295	92521296
B3	92521307	92521308	92521311	92521312
B4	92521315	92521316	92521319	92521320
B5	92521323	92521324	92521327	92521328
B6	92521331	92521332	92521335	92521336
B7	92521339	92521340	92521343	92521344
B8	92521347	92521348	92521351	92521352
C3	92521355	92521356	92521359	92521360
C4	92521363	92521364	92521367	92521368
C5	92521371	92521372	92521375	92521376
C6	92521379	92521380	92521383	92521384
C7	92521387	92521388	92521391	92521392
C8	92521395	92521396	92521399	92521400
D3	92521403	92521404	92521407	92521408
D5	92521411	92521412	92521415	92521416
D6	92521419	92521420	92521423	92521424
D7	92521427	92521428	92521431	92521432
D8	92521435	92521436	92521439	92521440
D9	92521443	92521444	92521447	92521448
E6	92521451	92521452	92521455	92521456
E7	92521459	92521460	92521463	92521464
E8	92521467	92521468	92521471	92521472
E9	92521475	92521476	92521479	92521480
EA	92521483	92521484	92521487	92521488

Kit - Pump housing machined for wear ring

IMPORTANT! Pump housing kits are supplied without wear rings. Wear rings need to be ordered separately.

PN 10 (16) / Class 125(150)

EN-GJL-250 / ASTM A48 class 35



TM078535

NOTE! Plugs (pos. 20) in the pump housing are described in section Pump housing plugs.

Kit - Pump housing machined for wear ring, cast iron - low pressure

6: Pump housing

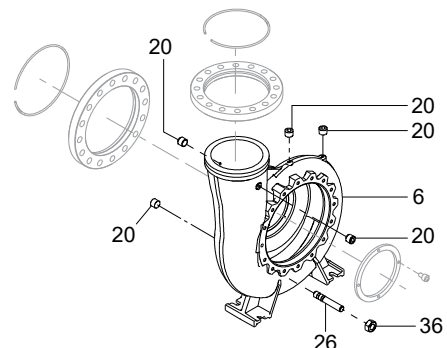
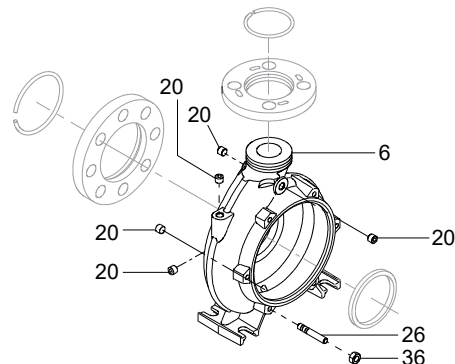
20: Needed number of plugs for draining, filling, sensor and shaft seal flushing

26: Needed number of stay bolts

36: Needed number of nuts that fit stay bolts

PN 25 / Class 300

EN-GJS-500-7 / ASTM 70-50-05



TM078536

NOTE! Plugs (pos. 20) in the pump housing are described in section Pump housing plugs.

Kit - Pump housing machined for wear ring, ductile cast iron - high pressure

6: Pump housing

20: Needed number of plugs for draining, filling, sensor and shaft seal flushing

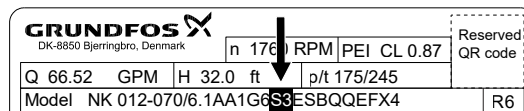
26: Needed number of stay bolts

36: Needed number of nuts that fit stay bolts

Step 1: Find the pump size and note the pump housing code.

Pump size	Pump housing code	Pump size	Pump housing code
012-070	A1	040-110	C6
015-070	A2	040-135	D6
015-090	B2a	040-150	E6
015-095	B2	050-070	A6
020-095	B3	050-095	B7
020-110	C3	050-110	C7
020-135	D3	050-135	D7
025-070	A3	050-150	E7
025-095	B4	060-095	B8
025-110	C4	060-110	C8
030-070	A4	060-135	D8
030-095	B5	060-150	E8
030-110	C5	080-135	D9
030-135	D5	080-150	E9
040-070	A5	100-150	EA
040-095	B6		

Step 2: Use the pump housing code and the material code to find pump housing kit.



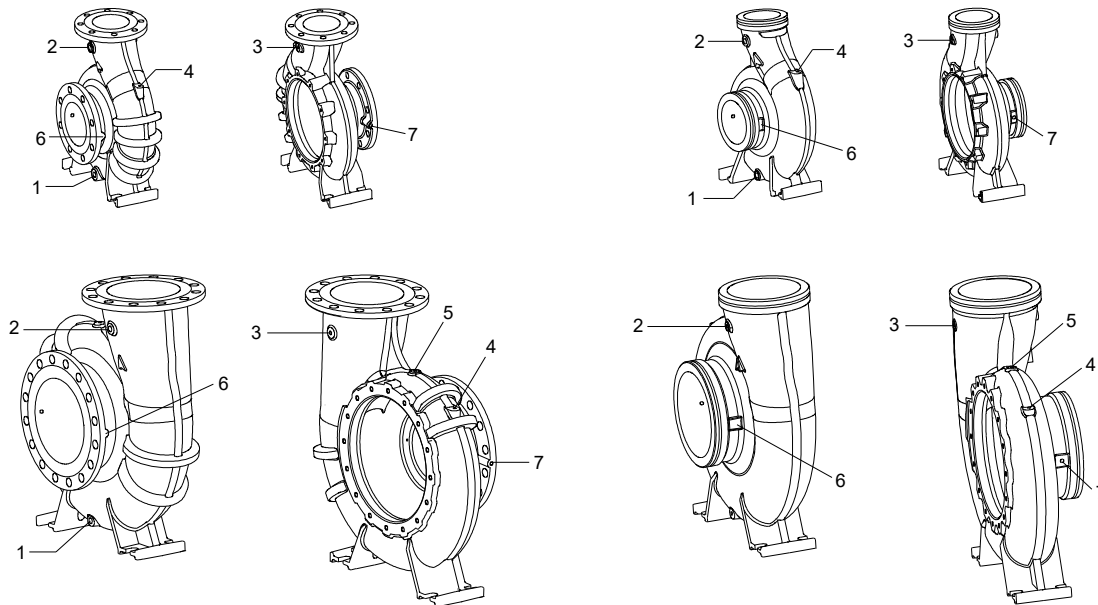
Material code

Pump housing code	Material code	
	S3, S4, S5, S8, S9, SK, SL, T2, T3	SB, SC, SD, SG, SH, SI, SJ, TA, TB
	(Cast iron, EN-GJL-250)	(Ductile iron EN-GJS-500-7)
	Class 125	Class 300
A1	92521490	92521494
A2	92521248	92521252
A3	92521266	92521270
A4	92521274	92521278
A5	92521282	92521286
A6	92521257	92521262
B2a	92521298	92521302
B2	92521290	92521294
B3	92521306	92521310
B4	92521314	92521318
B5	92521322	92521326
B6	92521330	92521334
B7	92521338	92521342
B8	92521346	92521350
C3	92521354	92521358
C4	92521362	92521366
C5	92521370	92521374
C6	92521378	92521382
C7	92521386	92521390
C8	92521394	92521398
D3	92521402	92521406
D5	92521410	92521414
D6	92521418	92521422
D7	92521426	92521430
D8	92521434	92521438
D9	92521442	92521446
E6	92521450	92521454
E7	92521458	92521462
E8	92521466	92521470
E9	92521474	92521478
EA	92521482	92521486

Pump housing plugs

NOTE! This is only for your information. We do not offer plugs as service parts.

NOTE! For all NK, NKE - R6 pump housings, the bores pos. 1+2+3+4+ (6 or 7) are drilled and plugged.



TM1040331

Pump housing plugs

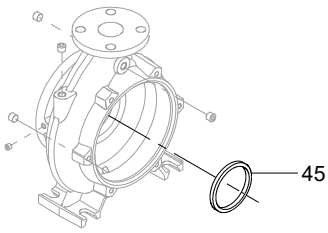
- 1: Bore for draining plug
- 2: Bore for filling plug
- 3: Bore for connecting Series 2000 capillary tube
- 4: Bore for flushing line
- 5: Bore for venting of pump housing
- 6: Bore for connecting Series 2000 capillary tube - or for mounting of an inlet pressure gauge
- 7: Bore for connecting Series 2000 capillary tube - or for mounting of an inlet pressure gauge

IMPORTANT! Bore 2 and bore 3 **CANNOT** be used for mounting of a discharge pressure gauge. The reading in this position of the pump housing will give an incorrect and useless pressure reading compared to what is shown in Sales tools (Grundfos Product Center and data booklets).

US versions	US pump size DN	EN pump size DN	Plug position on drawing - (all plugs are with NPT connections)								
			Inch	mm	1	2	3	4	5	6	7
Inch - outlet	1 1/4	012	32	1/4	1/4	1/4	1/4	1/4	1/4	1/4	1/4
	1 1/2	015	40	1/4	1/4	1/4	1/4	1/4	1/4	1/4	1/4
	2	020	50	1/4	1/4	1/4	1/4	1/4	1/4	1/4	1/4
	2 1/2	025	65	1/4	1/4	1/4	1/4	1/4	1/4	1/4	1/4
	3	030	80	1/4	1/4	1/4	1/4	1/4	1/4	1/4	1/4
	4	040	100	1/4	1/4	1/4	1/4	1/4	1/4	1/4	1/4
	5	050	125	1/4	1/4	1/4	1/4	1/4	1/4	1/4	1/4
	6	060	150	1/4	1/4	1/4	1/4	1/4	1/4	1/4	1/4
	8	080	200	1/4	1/4	1/4	1/4	1/4	1/4	1/4	1/4
10	100	250	1/4	1/4	1/4	1/4	1/4	1/4	1/4	1/4	

Kit/spare - Wear ring

Press fitted wear ring

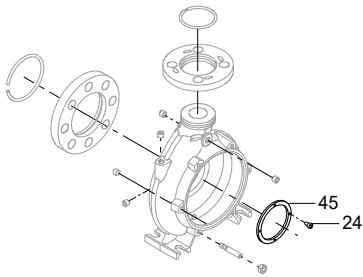
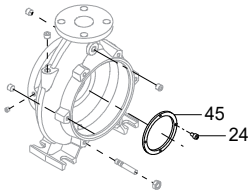


TM076537

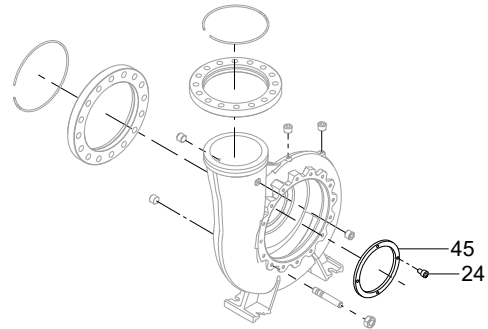
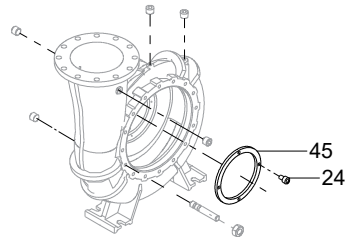
Spare - Wear ring, press fitted

45: Wear ring

Screw fitted wear ring



TM1040201



TM1040202

Kit - Wear ring, screw fitted

24: 4 x Socket head cap screw

45: Wear ring

Step 1: Find the pump size and note the ID code of the wear ring.

Pump size	ID code	Pump size	ID code
012-070	63	040-110	130-2
015-070	90	040-135	144
015-090	76	040-150	174
015-095	76	050-070	144
020-095	112	050-095	174
020-110	95	050-110	154
020-135	95	050-135	154

Pump size	ID code	Pump size	ID code
025-070	90	050-150	185
025-095	100	060-095	185
025-110	100	060-110	185
030-070	112	060-135	200
030-095	112	060-150	210
030-110	112	080-135	224
030-135	122-2	080-150	222
040-070	122-1	100-150	240
040-095	130-1		

Step 2: Use the ID code and the material code to find the needed spare/kit. Make a control check by measuring the old wear ring dimensions.

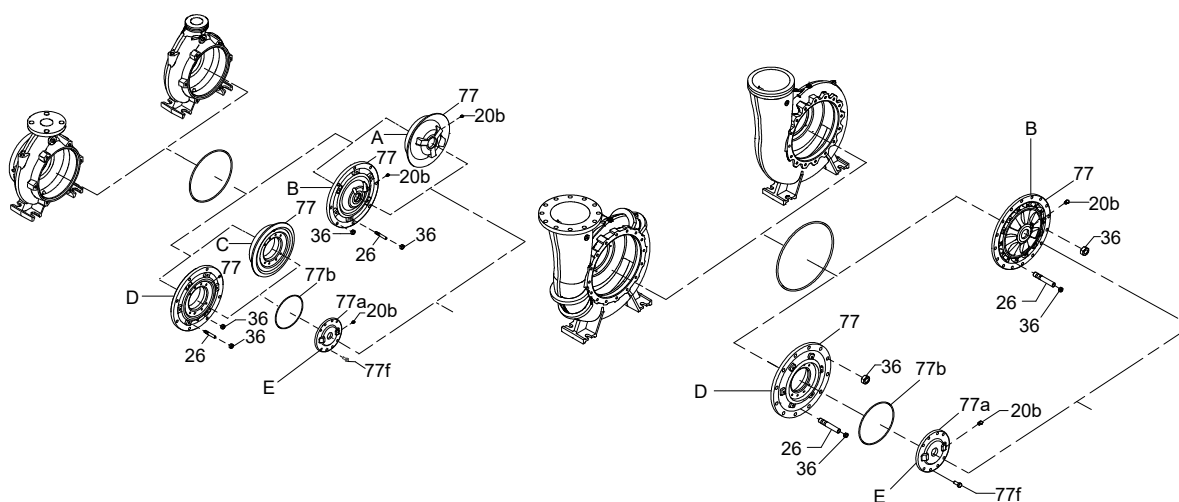
GRUNDFOS DK-8850 Bjerringbro, Denmark		n 1700 RPM	PEI CL 0.87	Reserved QR code
Q 66.52 GPM	H 32.0 ft	p/t 175/245		
Model NK 012-070/6.1AA1G6 X ESBQQEFX4				R6

Material code

ID	Wear ring dimensions	Material code					
		X ⁸⁾		X ⁸⁾		X ⁸⁾	
		Wear ring material					
		Bronze		Cast iron		Brass	
		Spare	Kit	Spare	Kit	Spare	Kit
63	D63/D77x10	96810098	-	96810122	-	99208775	-
76	D76/D90x10	96810099	-	96810123	-	99208825	-
90	D90/D104x10	96810100	-	96810126	-	99208821	-
95	D95/D109x10	92526542	-	92526543	-	92526541	-
100	D100/D114x10	96810102	-	96810140	-	99208819	-
112	D112/D126x10	96810103	-	96810141	-	99208818	-
122-1	D122/D136x10	96810104	-	96939585	-	99208817	-
122-2	D122/D138x13	96810105	-	96939586	-	99208813	-
130-1	D130/D144x10	96810106	-	96939587	-	99208815	-
130-2	D130/D146x13	96797626	-	96939588	-	99208810	-
144	D144/D158x15	96810107	-	96939589	-	99208748	-
154	D154/D168x15	96797628	-	96939590	-	99208807	-
174	D174/D188x15	96810108	-	96939591	-	99208745	-
185	D185/D199x15	96810109	-	96939602	-	99208792	-
200	D200/D214x15	96810110	-	96939603	-	99208786	-
210	D210/D224x15	96810111	-	96939604	-	99208749	-
222	D222/D272x15	-	-	-	96939606	-	96939611
224	D224/D238x15	96810112	-	96939605	-	99208743	-
240	D240/D290x15	-	92526540	-	96939608	-	96939613

⁸⁾ The material code 'X' is shown in the type designation and indicates that the wear ring is a variant. Contact Grundfos service office to check for installed wear ring material.

Kit/spare - Covers



TM1040102

NOTE! Wear ring for covers will not be offered.

A - Kit - Insert cover
20b: Plug (in vent hole)
77: Cover
C - Spare - Insert cover
77: Cover
B - Kit - Bolt-in cover
20b: Plug
26: Needed number of stay bolts
36: Needed number of hex nuts
77: Cover
D - Kit - Bolt-in cover
26: Needed number of stay bolts
36: Needed number of hex nuts
77: Cover
E - Kit - Seal cover
20b: Plug (in vent hole)
77a: Seal cover
77f: Needed number of hex head screws

Step 1: Find the pump size and the cover code and the seal cover code if necessary.

Pump size	Cover code	Seal cover code	Pump size	Cover code	Seal cover code
012-070-2P	A1	A	030-135	M	C
012-070-4P	A1	A	040-070-2P	A2	B
015-070-2P	A2	B	040-070-4P	A2	B
015-070-4P	A1	A	040-095-2P	F2	D
015-090-2P	B	B	040-095-4P	C	B
015-090-4P	B	B	040-110	H	C
015-095-2P	B	B	040-135	M	C
015-095-4P	B	B	040-150	Q	F
020-095-2P	E	E	050-070-2P	A2	B
020-095-4P	B	B	050-070-4P	A2	B
020-110	B	B	050-095	D	D
020-135	L	C	050-110	H	C
025-070-2P	A2	B	050-135	N	F
025-070-4P	A1	A	050-150	Q	F
025-095-2P	F1	E	060-095	D	D
025-095-4P	C	B	060-110	K	F
025-110	H	C	060-135	P	F
030-070-2P	A2	B	060-150	T	G
030-070-4P	A1	A	080-135	P	F
030-095-2P	F2	D	080-150	S	G
030-095-4P	C	B	100-150	S	G
030-110	H	C			

Step 2: Use the cover code and the material code to find the correct cover kit.

GRUNDFOS DK-8850 Bjerringbro, Denmark		n 176	RPM	PEI	CL 0.87	Reserved QR code
Q 66.52	GPM	H 32.0	ft	p/t 175/245		
Model NK 012-070/6.1AA1G6S3ESBQEFX4						R6

Material code

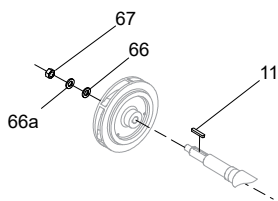
Cover code	Material code			
	S3, S4, S5, S8, S9, SK, SL, T2, T3 (Cast iron - EN-GJL-250) - Class 125			
	Cover, insert (Pos A)	Cover, insert, coat (Pos A)	Cover, bolt in (Pos B)	Cover, bolt in, coat (Pos B)
A1	92729761	92771045	-	-
A2	92729762	92771046	-	-
B	-	-	92729747	92771031
C	-	-	92729748	92771032
D	-	-	92729749	92771033
E	-	-	92729750	92771034
F1	-	-	92729751	92771035
F2	-	-	92729752	92771036
H	-	-	92729753	92771037
K	92729763	92771047	-	-
L	-	-	92729754	92771038
M	-	-	92729755	92771039
N	-	-	92729756	92771040
P	-	-	92729757	92771041
Q	-	-	92729758	92771042
S	-	-	92729759	92771043
T	-	-	92729760	92771044

Cover code	Material code			
	SB, SC, SD, SG, SH, SI, SJ, TA, TB (Ductile iron - EN-GJS-500-7) - Class 300			
	Cover, insert (Pos C)	Cover, insert, coat, (Pos C)	Cover, bolt in (Pos D)	Cover, bolt in, coat (Pos D)
A1	92521769	92526445	-	-
A2	92521769	92526445	-	-
B	-	-	92729767	92771048
C	-	-	92729768	92771049
D	-	-	92729769	92771050
E	-	-	92729770	92771051
F1	-	-	92729771	92771052
F2	-	-	92729771	92771052
H	-	-	92729772	92771053
K	92521768	92526444	-	-
L	-	-	92729773	92771054
M	-	-	92729774	92771055
N	-	-	92729775	92771056
P	-	-	92729776	92771057
Q	-	-	92729777	92771058
S	-	-	92729778	92771059
T	-	-	92729779	92771060

Step 3: Use the seal cover code to find the correct seal cover kit.

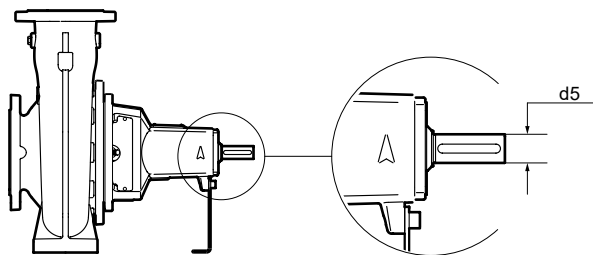
Seal cover code	Kit, seal cover (all covers in 1.4517)	Kit, seal cover, coat (all covers in 1.4517)
A	92729780	92818714
B	92729781	92818715
C	92729782	92818716
D	92729783	92818717
E	92729784	92818718
F	96887298	92818719
G	97536504	92818740

Kit/bulk - Nut, washers and key for impeller



TM1040103

Step 1: Find the pump size, measure and note the diameter d5 of the pump end.



Kit - Nut, washers and key for impeller
11: Key
66: Washer
66a: Lock washer
67: Hex nut
Bulk - Nut
67: 5 x Hex nut

Pump size	d5	Pump size	d5	Pump size	d5
012-070-2P	D16	025-095-4P	D24	040-150	D42
012-070-4P	D16	025-110	D32	050-070-2P	D24
015-070-2P	D24	030-070-2P	D24	050-070-4P	D24
015-070-4P	D16	030-070-4P	D16	050-095	D32
015-090-2P	D24	030-095-2P	D32	050-110	D32
015-090-4P	D24	030-095-4P	D24	050-135	D42
015-095-2P	D24	030-110	D32	050-150	D42
015-095-4P	D24	030-135	D32	060-095	D32
020-095-2P	D32	040-070-2P	D24	060-110	D42
020-095-4P	D24	040-070-4P	D24	060-135	D42
020-110	D24	040-095-2P	D32	060-150	D48
020-135	D32	040-095-4P	D24	080-135	D42
025-070-2P	D24	040-110	D32	080-150	D48
025-070-4P	D16	040-135	D32	100-150	D48
025-095-2P	D32				

Step 2: Use the d5 diameter and the material code to find the needed kit.

GRUNDFOS DK-8850 Bjerringbro, Denmark		n 176	RPM	PEI	CL 0.87	Reserved QR code
Q 66.52	GPM	H 32.0	ft	p/t 175/245		
Model NK 012-070/6.1AA1G6S3ESBQQEFX4						R6

Material code

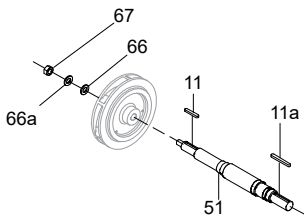
Kit - Nut, washers and key

d5	Nut	Material code			
		S3, SB	S4, S8, SC, SG	S5, S9, SD, SH, T2, TA	SI, SJ, SK, SL, T3, TB
		Material			
		1.4301	1.4401	1.4462	1.4410
D16	M12	92521562	92521567	92521572	92744147
D24	M14	92521559	96939128	96939129	92744148
D32	M18	92521560	92743279	96939131	92744149
D42	M24	92521561	96939132	96939133	92744160
D48	M27	92521563	96939134	96939135	92744161

Bulk - Nut

d5	Nut	Material code			
		S3, SB	S4, S8, SC, SG	S5, S9, SD, SH, T2, TA	SI, SJ, SK, SL, T3, TB
		Material			
		1.4301	1.4401	1.4462	1.4410
D16	M12	92526533	92526536	92579695	-
D24	M14	92526531	92514630	92514636	-
D32	M18	92526535	92514631	92514637	-
D42	M24	92526532	92514632	92514638	-
D48	M27	92526534	92514633	92514639	-

Kit - Shaft

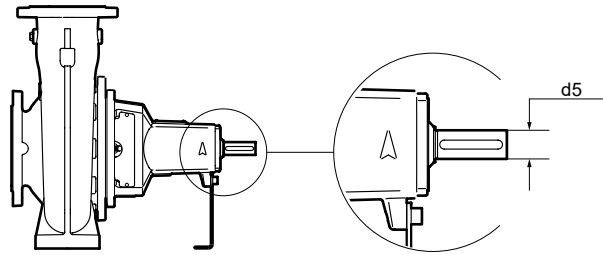


TM1040104

Kit - Shaft

- 11 and 11a: Key, part of complete shaft
- 51: Shaft
- 66: Washer
- 66a: Lock washer
- 67: Nut for impeller

Step 1: Find the pump size, measure and note the diameter d5 of the pump end.



Pump size	d5	Pump size	d5	Pump size	d5
012-070-2P	D16	025-095-4P	D24	040-150	D42
012-070-4P	D16	025-110	D32	050-070-2P	D24
015-070-2P	D24	030-070-2P	D24	050-070-4P	D24
015-070-4P	D16	030-070-4P	D16	050-095	D32S
015-090-2P	D24	030-095-2P	D32S	050-110	D32
015-090-4P	D24	030-095-4P	D24	050-135	D42
015-095-2P	D24	030-110	D32	050-150	D42
015-095-4P	D24	030-135	D32	060-095	D32S
020-095-2P	D32SS	040-070-2P	D24	060-110	D42
020-095-4P	D24	040-070-4P	D24	060-135	D42
020-110	D24	040-095-2P	D32S	060-150	D48
020-135	D32	040-095-4P	D24	080-135	D42
025-070-2P	D24	040-110	D32	080-150	D48
025-070-4P	D16	040-135	D32	100-150	D48
025-095-2P	D32SS				

Step 2: Use the pump version code, the d5 diameter, and the material code to find the needed kit.

GRUNDFOS DK-8850 Bjerringbro, Denmark		1760 RPM	PEI	CL 0.87	Reserved: QR code
Q 66.52	GPM	H 32.0	ft	p/t 175/245	
Model NK 012-070/6.1AA1		G6S3ESBQQEFX4		R6	

Pump version code

GRUNDFOS DK-8850 Bjerringbro, Denmark		n 1760 RPM	PEI	CL 0.87	Reserved: QR code
Q 66.52	GPM	H 32.0	ft	p/t 175/245	
Model NK 012-070/6.1AA1G6S3		ESBQQEFX4		R6	

Material code

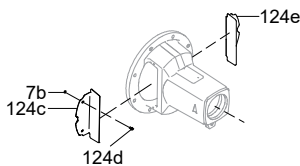
Kit - Shaft for pump versions - A1, A2, I1, I2 and Y1

d5	Material code			
	S3, SB	S4, S8, SC, SG	S5, S9, SD, SH, T2, TA	SI, SJ, SK, SL, T3, TB
	Shaft material			
	1.0503 + 1.4301 (sleeve)	1.4401	1.4462	1.4410
D16	92736899	92729006	92729007	92729008
D24	92737270	96039654	96861516	92736900
D32SS	92737512	92737479	92737510	92737511
D32S	92737516	92737513	92737514	92737515
D32	92737518	96039655	96861519	92737517
D42	92737522	92737519	92737520	92737521
D48	92737524	96861526	96861527	92737523

Kit - Shaft for pump versions - G1, G2, H1, H2, J1, J2, K1, K2, W1, Z1

d5	Material code			
	S3, SB	S4, S8, SC, SG	S5, S9, SD, SH, T2, TA	SI, SJ, SK, SL, T3, TB
	Shaft material			
	1.0503 + 1.4301 (sleeve)	1.4401	1.4462	1.4410
D16	-	-	-	-
D24	92739367	92739364	92739365	92739366
D32SS	92739371	92739368	92739369	92739370
D32S	92739375	92739372	92739373	92739374
D32	92837582	92837569	92837580	92837581
D42	92739379	92739376	92739377	92739378
D48	92837586	92837583	92837584	92837585

Kit - Shaft guard



TM1040106

Kit - Shaft guard
7b: 4 x Lock washer
124c: Shaft guard (left side)
124d: 4 x Screws for shaft guard
124e: Shaft guard (right side)

Step 1: Find the pump size and note the shaft guard code.

Pump size	Shaft guard code	Pump size	Shaft guard code
012-070-2P	L1	030-135	L3
012-070-4P	L1	040-070-2P	L2
015-070-2P	L2	040-070-4P	L2
015-070-4P	L1	040-095-2P	L4
015-090-2P	L2	040-095-4P	L2
015-090-4P	L2	040-110	L3
015-095-2P	L2	040-135	L3
015-095-4P	L2	040-150	L5
020-095-2P	L4	050-070-2P	L2
020-095-4P	L2	050-070-4P	L2
020-110	L2	050-095	L4
020-135	L3	050-110	L3
025-070-2P	L2	050-135	L5
025-070-4P	L1	050-150	L5
025-095-2P	L4	060-095	L4
025-095-4P	L2	060-110	L5
025-110	L3	060-135	L5
030-070-2P	L2	060-150	L6
030-070-4P	L1	080-135	L5
030-095-2P	L4	080-150	L6
030-095-4P	L2	100-150	L6
030-110	L3		

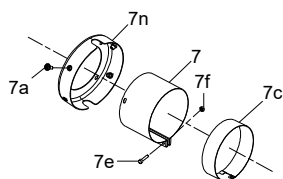
Step 2: Use the shaft guard code and the pump version code to find the needed kit.

GRUNDFOS DK-8850 Bjerringbro, Denmark		1760 RPM	PEI	CL 0.87	Reserved QR code
Q 66.52	GPM	H 32.0	ft	p/t 175/245	
Model NK 012-070/6.1AA1G6S3ESBQQEFX4					R6

Pump version code

Shaft guard code	Kit - Shaft guard	
	A1, A2, I1, I2, Y1	G1, G2, H1, H2, J1, J2, K1, K2, W1, Z1
L1	92728981	-
L2	92728982	92728983
L3	92728984	-
L4	92728985	92728986
L5	92728987	92728987
L6	92728988	92728988

Kit - Coupling guard, standard coupling (Woods)



TM1040105

Kit - Coupling guard, standard coupling

7: Coupling guard, spacer coupling

7a: Needed number of screw for retainer/outer part

7c: Coupling guard inner part

7e: Needed number of hex socket head cap screw

7f: Needed number of lock nut

7n: Retainer

1 x Alignment sticker

1 x Grundfos A-logo sticker

Step 1: Find the motor frame size on the motor nameplate.

CAT.NO.	EM25254T-4	SPEC NO.	P44G1775
HP	250	AMPS	275
VOLTS	460	DESIGN	B
FRAME	447T	RPM	1785
HZ	60	AMB	40
SF	1.15	PHASE	3
DRIVE END BEARING	90BC03J30X	DUTY	CONT
INSUL.CLASS	F	OPP D.E. BEARING	90BC03J30X
TYPE	P	ENCL	DP
CODE	G	POWER FACTOR	88
SER.NO.		NEMA-NOM-EFFICIENCY	96.2
		MAX CORR KVAR	40.0
		GUARANTEED EFFICIENCY	95.8
		NEMA NOM/CSA QUOTED EFF	
		MOTOR WEIGHT	2015

TM086550

Step 2: Use the pump version code, the pump size, and the motor frame size to find the coupling guard code.

GRUNDFOS DK-8850 Bjerringbro, Denmark		1760 RPM	PEI	CL 0.87	Reserved QR code
Q 66.52	GPM	H 32.0	ft	p/t 175/245	
Model NK 012-070/6.1A11G6S3ESBQEFX4					R6

Pump version code

Pump versions: A1, I1

Pump size	143T	145T	182T	184T	213T	215T	254T	256T	284T	284TS	286T	286TS	324T	324TS
012-070-2P		A03	B05	B05	C02	C02	C02							
012-070-4P	A03	A03												
015-070-2P			B05	B05	C02	C02	C02	C02						
015-070-4P	A03	A03	B05											
015-090-4P		A03	B05	B05										
015-095-4P		A03	B05	B05	C02									
020-95-2P						C03	C04	C04		C04		C04		C04
020-95-4P		A03	B05	B05	C02									
020-110			B05	B05	C02	C02	C02							
020-135					C03	C03	C04	C04	C04					
025-070-2P				B05	C02	C02	C02	C02		C02		C02		
025-070-4P	A03	A03	B05	B05										
025-095-4P		A03	B05	B05	C02	C02								
025-110					C03	C03	C03	C04						
030-070-2P						C02	C02	C02		C02		C02		C02
030-070-4P		A03	B05	B05										
030-095-2P												C03		C04
030-095-4P			B05	B05	C02	C02	C02							

Pump size	143T	145T	182T	184T	213T	215T	254T	256T	284T	284TS	286T	286TS	324T	324TS
030-110					C03	C03	C04	C04						
030-135						C03	C04	C04	C04		C07		C07	
040-070-4P	A03	A03	B05	B05	C02									
040-095-2P														
040-095-4P				B05	C02	C02	C02	C02						
040-110					C03	C03	C04	C04	C04		C07			
040-135						C03	C04	C04	C04		C07		C07	
040-150									C08		C08		E03	
050-070-2P							C02	C02		C02		C02		C02
050-070-4P	A03	A03	B05	B05	C02	C02								
050-095					C03	C03	C04	C04	C04		C07			
050-110						C03	C04	C04	C04		C07		C07	
050-135								C08	C08		C08		C08	
050-150													E03	
060-095						C03	C04	C04	C04		C07		C07	
060-110							C08	C08	C08		C08		C08	
060-135								C08	C08		C08		C08	
060-150														
080-135									C08		C08		E03	
080-150														
100-150														

Pump size	326T	326TS	364T	364TS	365T	365TS	404T	404TS	405T	405TS	444T	444TS	445T	445TS	447T
012-070-2P															
012-070-4P															
015-070-2P															
015-070-4P															
015-090-4P															
015-095-4P															
020-95-2P		C04		C04											
020-095-4P															
020-110															
020-135															
025-070-2P															
025-070-4P															
025-095-4P															
025-110															
030-070-2P															
030-070-4P															
030-095-2P		C04		C04		D03		D03		E06		E06			
030-095-4P															
030-110															
030-135															
040-070-4P															
040-095-2P		C04		C04		D03		D03		E06		E06		E06	
040-095-4P															
040-110															
040-135	E06														
040-150	E03		E03		E03		E07		E07		E07		E07		
050-070-2P		C02		C02		C02									
050-070-4P															
050-095															
050-110															
050-135	E03		E03		E03										
050-150	E03		E03		E03		E07		E07		E07		F03		F03

Pump size	326T	326TS	364T	364TS	365T	365TS	404T	404TS	405T	405TS	444T	444TS	445T	445TS	447T
060-095															
060-110	E03		E03												
060-135	E03		E03		E03		E07		E07		E07				
060-150			E05		E05		F02		F02		F05		F05		F05
080-135	E03		E03		E03		E07		E07		E07		F03		F03
080-150			E05		E05		F02		F02		F05		F05		F05
100-150					E05		F02		F02		F05		F05		F05

Pump versions: G1, H1, J1, K1

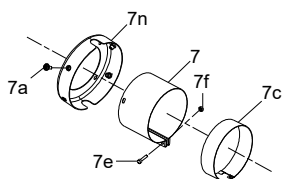
Pump size	143T	145T	182T	184T	213T	215T	254T	256T	284T	284TS	286T	286TS	324T	324TS
015-090-2P						C02	C02	C02		C02		C02		C02
015-095-2P						C02	C02	C02		C02		C02		C02
025-095-2P								C04		C04		C04		C04
040-070-2P							C02	C02		C02		C02		C02

Pump size	326T	326TS	364T	364TS	365T	365TS	404T	404TS	405T	405TS	444T	444TS	445T	445TS	447T
015-090-2P															
015-095-2P		C02													
025-095-2P		C04		C04		C04									
040-070-2P		C02													

Step 3: Use the coupling guard code, check the material of the coupling guard, and find the needed kit.

Coupling guard code	Coupling guard cpl.	Kit - Coupling guard for spacer coupling
		Black painted steel
A03	D125 PCD100 110/154	92722966
B05	D140 PCD100 144/204	92722980
C02	D180 PCD100 144/204	92722982
C03	D180 PCD116 144/204	92722983
C04	D180 PCD116 174/234	92722984
C07	D180 PCD116 174/288	92722987
C08	D180 PCD146 174/288	92722988
D03	D220 PCD116 220/260	92722991
E03	D270 PCD146 260/320	92722997
E05	D270 PCD200 260/350	92722999
E06	D270 PCD116 220/280	92723000
E07	D270 PCD146 260/404	92723001
F02	D350 PCD200 260/374	92723003
F03	D350 PCD146 310/424	92723004
F05	D350 PCD200 310/424	92723005

Kit - Coupling guard, standard coupling (Falk)



TM1040105

Kit - Coupling guard, standard coupling

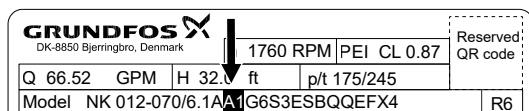
- 7: Coupling guard, spacer coupling
- 7a: Needed number of screw for retainer/outer part
- 7c: Coupling guard inner part
- 7e: Needed number of hex socket head cap screw
- 7f: Needed number of lock nut
- 7n: Retainer
- 1 x Alignment sticker
- 1 x Grundfos A-logo sticker

Step 1: Find the motor frame size on the motor nameplate.

CAT.NO.	EM25254T-4	SPEC NO.	P44G1775
HP	250	AMPS	275
VOLTS	460	DESIGN	B
FRAME	447T	RPM	1785
HZ	60	AMB	40
SF	1.15	PHASE	3
DUTY	CONT	INSUL.CLASS	F
DRIVE END BEARING	90BC03J30X	TYPE	P
OPP D.E. BEARING	90BC03J30X	ENCL	DP
SER.NO.		CODE	G
POWER FACTOR	88	NEMA-NOM-EFFICIENCY	96.2
MAX CORR KVAR	40.0	GUARANTEED EFFICIENCY	95.8
NEMA NOM/CSA QUOTED EFF			
MOTOR WEIGHT	2015		

TM086550

Step 2: Use the pump version code, the pump size, and the motor frame size to find the coupling guard code.



Pump version code

Pump versions: A1, I1

Pump size	143T	145T	182T	184T	213T	215T	254T	256T	284T	284TS	286T	286TS	324T	324TS
012-070-2P		B04	C02	C02	C02	C02	C02							
012-070-4P	B04	B04												
015-070-2P			C02	C02	C02	C02	C02	C02						
015-070-4P	B04	B04	C02											
015-090-4P		B04	C02	C02										
015-095-4P		B04	C02	C02	C02									
020-095-4P		B04	C02	C02	C02									
020-110			C02	C02	C02	C02	C02							
020-135					C03	C03	C04	C04	C04					
025-070-2P				C02	C02	C02	C02	C02		C02		C02		
025-070-4P	B04	B04	C02	C02										
025-095-4P		B04	C02	C02	C02	C02								
025-110				C03	C03	C03	C04							
030-070-2P						C02	C02	C02		C02		C02		C02
030-070-4P		B04	C02	C02										
030-095-2P												C03		C04
030-095-4P			C02	C02	C02	C02	C02							
030-110					C03	C03	C04	C04						

Pump size	143T	145T	182T	184T	213T	215T	254T	256T	284T	284TS	286T	286TS	324T	324TS
030-135						C03	C04	C04	C04		D03		D03	
040-070-4P	B04	B04	C02	C02	C02									
040-095-2P														
040-095-4P				C02	C02	C02	C02	C02						
040-110					C03	C03	C04	C04	C04		D03			
040-135						C03	C04	C04	C04		D03		D03	
040-150									D04		D04		E03	
050-070-2P							C02	C02		C02		C02		C02
050-070-4P	B04	B04	C02	C02	C02	C02								
050-095					C03	C03	C04	C04	C04		D03			
050-110						C03	C04	C04	C04		D03		D03	
050-135								D04	D04		D04		D04	
050-150													E03	
060-095						C03	C04	C04	C04		D03		D03	
060-110							D04	D04	D04		D04		D04	
060-135								D04	D04		D04		D04	
060-150														
080-135									D04		D04		E03	
080-150														
100-150														

Pump size	326T	326TS	364T	364TS	365T	365TS	404T	404TS	405T	405TS	444T	444TS	445T	445TS	447T
012-070-2P															
012-070-4P															
015-070-2P															
015-070-4P															
015-090-4P															
015-095-4P															
020-095-4P															
020-110															
020-135															
025-070-2P															
025-070-4P															
025-095-4P															
025-110															
030-070-2P															
030-070-4P															
030-095-2P		C04		C04		D03		D03		E06		E06			
030-095-4P															
030-110															
030-135															
040-070-4P															
040-095-2P		C04		C04		D03		D03		E06		E06		E06	
040-095-4P															
040-110															
040-135	E06														
040-150	E03		E03		E03		E07		E07		E07		E07		
050-070-2P		C02		C02		C02									
050-070-4P															
050-095															
050-110															
050-135	E03		E03		E03										
050-150	E03		E03		E03		E07		E07		E07		F03		F03
060-095															
060-110	E03		E03												

Pump size	326T	326TS	364T	364TS	365T	365TS	404T	404TS	405T	405TS	444T	444TS	445T	445TS	447T
060-135	E03		E03		E03		E07		E07		E07				
060-150			E05		E05		F02		F02		F05		F05		F05
080-135	E03		E03		E03		E07		E07		E07		F03		F03
080-150			E05		E05		F02		F02		F05		F05		F05
100-150					E05		F02		F02		F05		F05		F05

Pump versions: G1, H1, J1, K1

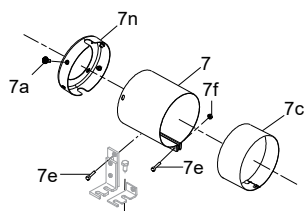
Pump size	143T	145T	182T	184T	213T	215T	254T	256T	284T	284TS	286T	286TS	324T	324TS
015-090-2P						C02	C02	C02		C02		C02		C02
015-095-2P						C02	C02	C02		C02		C02		C02
025-095-2P								C04		C04		C04		C04
040-070-2P							C02	C02		C02		C02		C02

Pump size	326T	326TS	364T	364TS	365T	365TS	404T	404TS	405T	405TS	444T	444TS	445T	445TS	447T
015-090-2P															
015-095-2P		C02													
025-095-2P		C04		C04		C04									
040-070-2P		C02													

Step 3: Use the coupling guard code, check the material of the coupling guard, and find the needed kit.

Coupling guard code	Coupling guard cpl.	Kit - Coupling guard for standard coupling
		Black painted steel
B04	D140 PCD100 110/154	92722969
C02	D180 PCD100 144/204	92722982
C03	D180 PCD116 144/204	92722983
C04	D180 PCD116 174/234	92722984
D03	D220 PCD116 220/260	92722991
D04	D220 PCD146 220/280	92722992
E03	D270 PCD146 260/320	92722997
E05	D270 PCD200 260/350	92722999
E06	D270 PCD116 220/280	92723000
E07	D270 PCD146 260/404	92723001
F02	D350 PCD200 260/374	92723003
F03	D350 PCD146 310/424	92723004
F05	D350 PCD200 310/424	92723005

Kit - Coupling guard, spacer coupling (Falk)



TM1040107

Kit - Coupling guard, spacer coupling

7: Coupling guard, spacer coupling

7a: Needed number of screw for retainer/outer part

7c: Coupling guard inner part

7e: Needed number of hex socket head cap screw

7f: Needed number of lock nut

7n: Retainer

1 x Alignment sticker

1 x Grundfos A-logo sticker

Step 1: Find the motor frame size on the motor nameplate.

CAT.NO.	EM25254T-4	SPEC.NO.	P44G1775
HP	250	AMPS	275
VOLTS	460	DESIGN	B
FRAME	447T	RPM	1785
HZ	60	AMB	40
SF	1.15	PHASE	3
DRIVE END BEARING	90BC03J30X	DUTY	CONT
INSUL.CLASS	F	OPP D.E. BEARING	90BC03J30X
TYPE	P	ENCL	DP
CODE	G	SER.NO.	
POWER FACTOR	88	NEMA-NOM-EFFICIENCY	96.2
MAX CORR KVAR	40.0	GUARANTEED EFFICIENCY	95.8
NEMA NOM/CSA QUOTED EFF			
MOTOR WEIGHT	2015		

TM086550

Step 2: Use the pump version code, the pump size, and the motor frame size to find the coupling guard code.

GRUNDFOS DK-8850 Bjerringbro, Denmark		1760 RPM	PEI	CL 0.87	Reserved QR code
Q 66.52	GPM	H 32.0	ft	p/t 175/245	
Model NK 012-070/6.1A2G6S3ESBQEFX4					R6

Pump version code

Pump versions: A2, I2

Pump size	143T	145T	182T	184T	213T	215T	254T	256T	284T	284TS	286T	286TS	324T	324TS
012-070-2P		02A	02A	02A	02A	02A	C09							
012-070-4P	02A	02A												
015-070-2P			02A	02A	02A	02A	C09	C09						
015-070-4P	02A	02A	02A											
015-090-4P		02A	02A	02A										
015-095-4P		02A	02A	02A	02A									
020-095-2P						02B	C10	C10		C10		C10		C10
020-095-4P		02A	02A	02A	02A									
020-110			02A	02A	02A	02A	C09							
020-135					02B	02B	03B	03B	03B					
025-070-2P				02A	02A	02A	01A	01A		C09		C09		
025-070-4P	02A	02A	02A	02A										
025-095-4P		02A	02A	02A	02A	02A								
025-110				02B	02B	02B	03B							
030-070-2P						02A	C09	C09		01A		01A		D11
030-070-4P		02A	02A	02A										

Pump size	143T	145T	182T	184T	213T	215T	254T	256T	284T	284TS	286T	286TS	324T	324TS
030-095-2P												03B		03B
030-095-4P			02A	02A	02A	02A	03A							
030-110					02B	02B	03B	03B						
030-135						02B	03B	03B	03B		03B		03B	
040-070-4P	02A	02A	02A	02A	02A									
040-095-2P														
040-095-4P				02A	02A	02A	D11	D11						
040-110					02B	02B	03B	03B	03B		03B			
040-135						02B	03B	03B	03B		03B		03B	
040-150									03C		03C		03C	
5070-2P							D11	D11		D11		D11		D11
5070-4P	02A	02A	02A	02A	02A	02A								
050-095					02B	02B	03B	03B	03B		03B			
050-110						02B	03B	03B	03B		03B		03B	
050-135								03C	03C		03C		03C	
050-150													03C	
060-095						02B	03B	03B	03B		03B		03B	
060-110							03C	03C	03C		03C		03C	
060-135								03C	03C		03C		03C	
060-150														
080-135									03C		03C		03C	
080-150														
100-150														

Pump versions: A2, I2

Pump size	326T	326TS	364T	364TS	365T	365TS	404T	404TS	405T	405TS	444T	444TS	445T	445TS	447T
012-070-2P															
012-070-4P															
015-070-2P															
015-070-4P															
015-090-4P															
015-095-4P															
020-095-2P		C10		03B											
020-095-4P															
020-110															
020-135															
025-070-2P															
025-070-4P															
025-095-4P															
025-110															
030-070-2P															
030-070-4P															
030-095-2P		03B		03B		03B		03B		03B		03B			
030-095-4P															
030-110															
030-135															
040-070-4P															
040-095-2P		03B		03B		03B		03B		03B		03B		03B	
040-095-4P															
040-110															
040-135	03B														
040-150	03C		03C		03C		04G		04G		06D		06D		
5070-2P		D11		D11		D11									
5070-4P															
050-095															

Pump size	326T	326TS	364T	364TS	365T	365TS	404T	404TS	405T	405TS	444T	444TS	445T	445TS	447T
050-110															
050-135	03C		03C		03C										
050-150	03C		03C		03C		04G		04G		06D		06D		06D
060-095															
060-110	03C		03C												
060-135	03C		03C		03C		04G		04G		06D				
060-150			04E		04E		04E		04E		06C		06C		06C
080-135	03C		03C		03C		04G		04G		06D		06D		06D
080-150			04E		04E		04E		04E		06C		06C		06C
100-150					04E		04E		04E		06C		06C		06C

Pump versions: G2, H2, J2, K2

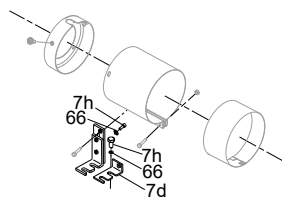
Pump size	143T	145T	182T	184T	213T	215T	254T	256T	284T	284TS	286T	286TS	324T	324TS
015-090-2P						02A	C09	C09		C09		C09		D11
015-095-2P						02A	C09	C09		C09		C09		D11
025-095-2P								03B		C10		C10		03B
040-070-2P							D11	D11		D11		D11		D11

Pump size	326T	326TS	364T	364TS	365T	365TS	404T	404TS	405T	405TS	444T	444TS	445T	445TS	447T
015-090-2P															
015-095-2P		D11													
025-095-2P		03B		03B		03B									
040-070-2P		D11													

Step 3: Use the coupling guard code, check the material of the coupling guard, and find the needed kit.

Coupling guard code	Coupling guard cpl.	Kit - Coupling guard for spacer coupling
		Black painted steel
01A	D125 PCD100 210/354	92780111
02A	D140 PCD100 230/344	92780112
02B	D140 PCD116 240/420	92780113
03A	D180 PCD100 290/380	92780114
03B	D180 PCD116 290/434	92780115
03C	D180 PCD146 290/520	92780116
04E	D220 PCD200 360/620	92780132
04G	D220 PCD146 360/620	92807751
06C	D350 PCD200 510/714	92780135
06D	D350 PCD146 510/624	92807752
C09	D180 PCD100 204/318	92807753
C10	D180 PCD116 204/318	92807754
D11	D220 PCD100 225/380	92807756

Kit - Foot for spacer coupling guard



TM1040109

Kit - Foot for spacer coupling guard

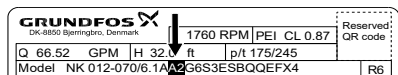
- 7d: Foot for coupling guard
- 7h: Needed number of screws
- 66: Needed number of washers

Step 1: Find the motor frame size on the motor nameplate.

CAT.NO.	EM25254T-4	SPEC NO.	P44G1775
HP	250	AMPS	275
VOLTS	460	DESIGN	B
FRAME	447T	RPM	1785
HZ	60	AMB	40
SF	1.15	PHASE	3
DRIVE END BEARING	90BC03330X	DUTY	CONT
INSUL.CLASS	F	OPP D.E. BEARING	90BC03330X
TYPE	P	ENCL	DP
CODE	G	SER.NO.	
POWER FACTOR	88	NEMA-NOM-EFFICIENCY	96.2
MAX CORR KVAR	40.0	GUARANTEED EFFICIENCY	95.8
NEMA NOM/CSA QUOTED EFF			
MOTOR WEIGHT	2015		

TM086550

Step 2: Use the pump version code, the pump size, and the motor frame size to find the foot code.



Pump version code

Pump versions: A2, I2

Pump size	143T	145T	182T	184T	213T	215T	254T	256T	284T	284TS	286T	286TS	324T	324TS
012-070-2P		B	A	A	A	A	B							
012-070-4P	B	B												
015-070-2P			B	B	A	A	B	B						
015-070-4P	B	B	B											
015-090-4P			C	C	C									
015-095-4P			C	C	C	C								
020-095-2P						C	B	B		B		B		C
020-095-4P			C	C	C	C								
020-110			C	C	C	C	B							
020-135					E	E	D	D	D					
025-070-2P				B	B	B	C	C		B		B		
025-070-4P	B	B	B	B										
025-095-4P			D	D	D	D	D							
025-110				D	D	D	C							
030-070-2P						B	B	B		C		C		C
030-070-4P			C	B	B									
030-095-2P												C		C
030-095-4P				D	D	D	D	C					C	C
030-110					D	D	C	C						
030-135						F	E	E	E		E			E
040-070-4P	C	C	C	C	C									
040-095-2P														
040-095-4P				E	E	E	D	D						
040-110					E	E	D	D	D		D			

Pump size	143T	145T	182T	184T	213T	215T	254T	256T	284T	284TS	286T	286TS	324T	324TS
040-135						F	E	E	E		E		E	
040-150									G		G		G	
050-070-2P							C	C		C		C		C
050-070-4P	D	D	D	D	D	D								
050-095					F	F	E	E	E		E			
050-110						F	E	E	E		E		E	
050-135								G	G		G		G	
050-150													J	
060-095						H	G	G	G		G		G	
060-110							G	G	G		G		G	
060-135								G	G		G		G	
060-150														
080-135									J		J		J	
080-150														
100-150														

Pump size	326T	326TS	364T	364TS	365T	365TS	404T	404TS	405T	405TS	444T	444TS	445T	445TS	447T
012-070-2P															
012-070-4P															
015-070-2P															
015-070-4P															
015-090-4P															
015-095-4P															
020-095-2P		C		D											
020-095-4P															
020-110															
020-135															
025-070-2P															
025-070-4P															
025-095-4P															
025-110															
030-070-2P															
030-070-4P															
030-095-2P		C		D		D		E		E		G			
030-095-4P															
030-110															
030-135															
040-070-4P															
040-095-2P		D		D		D		E		E		G		G	
040-095-4P															
040-110															
040-135	E														
040-150	G		G		G		E		E		C		C		
050-070-2P		C		D		D									
050-070-4P															
050-095															
050-110															
050-135	G		G		G										
050-150	J		J		J		H		H		D		D		D
060-095															
060-110	G		G												
060-135	G		G		G		E		E		C				
060-150			H		H		H		H		D		D		D

Pump size	326T	326TS	364T	364TS	365T	365TS	404T	404TS	405T	405TS	444T	444TS	445T	445TS	447T
080-135	J		J		J		J		J		F		F		F
080-150			K		K		K		K		J		J		J
100-150					L		L		L		K		K		K

Pump versions: G2, H2, J2, K2

Pump size	143T	145T	182T	184T	213T	215T	254T	256T	284T	284TS	286T	286TS	324T	324TS
015-090-2P						C	B	B		B		B		C
015-095-2P						C	B	B		B		B		C
025-095-2P								C		C		C		C
040-070-2P							B	B		B		B		C

Pump size	326T	326TS	364T	364TS	365T	365TS	404T	404TS	405T	405TS	444T	444TS	445T	445TS	447T
015-090-2P															
015-095-2P		C													
025-095-2P		C		D		D									
040-070-2P		C													

Step 3: Use the foot code, and find the needed kit.

Foot code	Foot cpl. for coupling guard	Kit - Foot for spacer coupling guard
A	100H	93073265
B	124H	93073266
C	148H	93073267
D	175H	93073268
E	200H	93073269
F	210H	93073270
G	230H	93073271
H	250H	93073272
J	300H	93073273
K	350H	93073274
L	400H	93073275

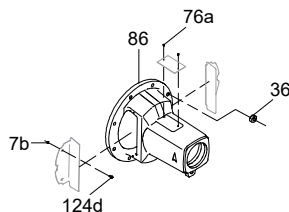
Kit - Standard bearing bracket

Standard bearing bracket codes: A1, A2, I1, I2, Y1

GRUNDFOS DK-8850 Bjerringbro, Denmark		1760 RPM	PEI	CL 0.87	Reserved QR code
Q 66.52	GPM	H 32.0	ft	p/t 175/245	
Model NK 012-070/6.1A1		G6S3ESBQQEFX4		R6	

Pump version code

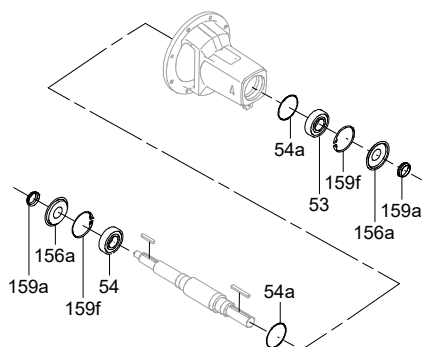
Bearing bracket, standard bearing bracket



Kit - Bearing bracket, standard bearing bracket

- 7b: 4 x Lock washer
- 36: Needed number of nuts
- 76a: 2 x Rivet
- 86: 1 x Bearing bracket, machined
- 124d: 4 x Screw for shaft guard

Bearings, standard bearing bracket

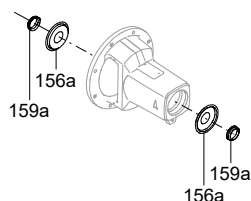


NOTE! Bearings are closed and 'greased for life'.

Kit - Bearings, standard bearing bracket

- 53 and 54: 2 x Bearing
- 54a: 2 x O-ring
- 156a: 2 x Bearing cover
- 159a: 2 x V-ring
- 159f: 2 x Retaining ring

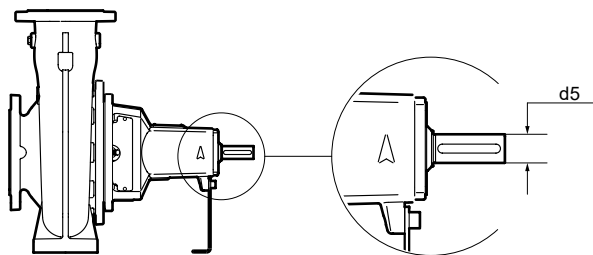
V-ring, standard bearing bracket



Kit - V-ring, standard bearing bracket

- 156a: 2 x Cover
- 159a: 2 x V-ring

Step 1: Find the pump size and measure the diameter d_5 of the pump end.



Pump size	d_5	Pump size	d_5	Pump size	d_5
012-070-2P	D16	025-095-4P	D24	040-150	D42
012-070-4P	D16	025-110	D32	050-070-2P	D24
015-070-2P	D24	030-070-2P	D24	050-070-4P	D24
015-070-4P	D16	030-070-4P	D16	050-095	D32S(S)
015-090-2P	D24	030-095-2P	D32S(S)	050-110	D32
015-090-4P	D24	030-095-4P	D24	050-135	D42
015-095-2P	D24	030-110	D32	050-150	D42
015-095-4P	D24	030-135	D32	060-095	D42
020-095-2P	D32S(S)	040-070-2P	D24	060-110	D42
020-095-4P	D24	040-070-4P	D24	060-135	D48
020-110	D24	040-095-2P	D32S(S)	060-150	D32S(S)
020-135	D32	040-095-4P	D24	080-135	D42
025-070-2P	D24	040-110	D32	080-150	D48
025-070-4P	D16	040-135	D32	100-150	D48
025-095-2P	D32S(S)				

Step 2: Use the d_5 dimension to find the needed kit.

d_5	Kit - Bearing bracket	Kit - Bearing	Kit - V-ring
D16	92729025	92729003	92728989
D24	92729026	96579598	92728990
D32S(S)	92729027	96579599	92728991
D32	92729028	96579599	92728991
D42	92729029	95919874	92728992
D48	92729030	95919876	92728993

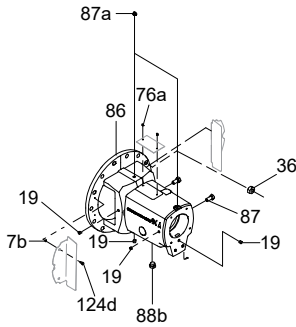
Kit - Heavy Duty bearing bracket, re-greaseable

Heavy Duty bearing bracket codes: G1, G2, J1, J2, W1

GRUNDFOS DK-8850 Bjerringbro, Denmark		1760 RPM	PEI	CL 0.87	Reserved QR code
Q 66.52	GPM	H 32.1	ft	p/t 175/245	
Model NK 012-070/6.1A G1G6S3ESBQQEFX4					R6

Pump version code

Bearing bracket, H.D. re-greaseable



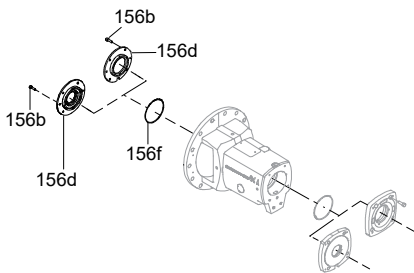
TM1040112

Kit - Bearing bracket, H.D. re-greaseable

- 7b: 4 x lock washer
 - 19: 2 x Plug (for thermal measurement)
 - 19: 2 x Plug (grease circuit)
 - 36: Needed number of nuts
 - 76a: 2 x Rivet
 - 86: Bearing bracket
 - 87a: 2 x Grease nipple
 - 87: 2 x Hexagon socket head cap screw
 - 88b: 3/8" composite plug, incl. O-ring, drain
 - 124d: 4 x Screw for shaft guard
- SPM – Shock Pulse Measuring fittings can optionally be mounted in these bores



Front bearing cover, H.D. re-greaseable

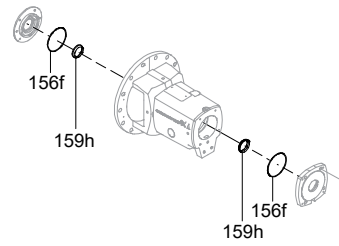


TM1040116

Kit - Front bearing cover, H.D. re-greaseable

- 156b: 4 x Hex socket head screw
- 156d: Bearing cover, front
- 156f: O-ring

V-ring, H.D. re-greaseable

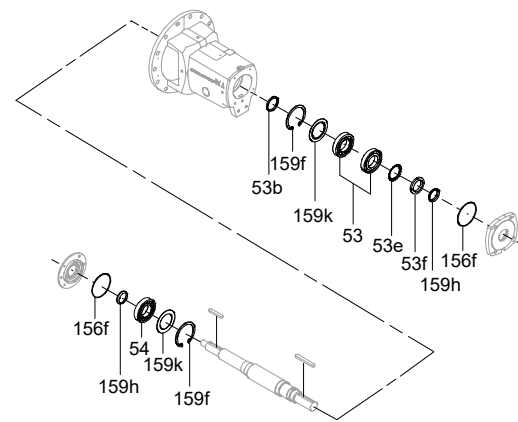


TM1040119

Kit - V-ring, H.D. re-greaseable

- 156f: 2 x O-ring
- 159h: 2 x V-ring

Bearing, H.D. re-greaseable

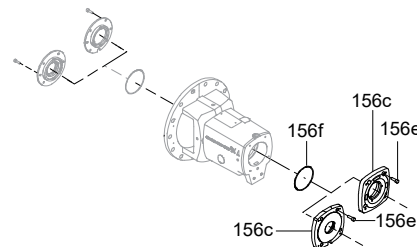


TM1040110

Kit - Bearing, H.D. re-greaseable

- 53: 2 x Angular contact bearing
- 53b: Spacer ring (depending on shaft size, including in D42, D48, D60)
- 53e: Lock washer
- 53f: Lock nut
- 54: Rolling bearing
- 156f: 2 x O-ring
- 159f: 2 x Lock ring
- 159h: 2 x V-ring
- 159k: 2 x Grease retainer ring

End bearing cover, H.D. re-greaseable

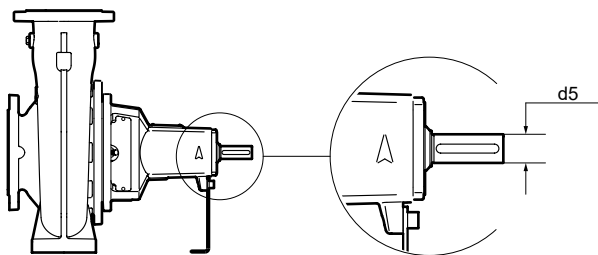


TM1040117

Kit - End bearing cover, H.D. re-greaseable

- 156c: Bearing cover, end
- 156e: 4 x Hex socket head screw
- 156f: O-ring

Step 1: Find the pump size and measure the diameter d5 of the pump end.

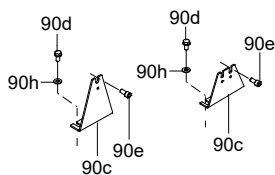


Pump size	d5	Pump size	d5	Pump size	d5
012-070-2P	D16	025-095-4P	D24	040-150	D42
012-070-4P	D16	025-110	D32	050-070-2P	D24
015-070-2P	D24	030-070-2P	D24	050-070-4P	D24
015-070-4P	D16	030-070-4P	D16	050-095	D32S(S)
015-090-2P	D24	030-095-2P	D32S(S)	050-110	D32
015-090-4P	D24	030-095-4P	D24	050-135	D42
015-095-2P	D24	030-110	D32	050-150	D42
015-095-4P	D24	030-135	D32	060-095	D42
020-095-2P	D32S(S)	040-070-2P	D24	060-110	D42
020-095-4P	D24	040-070-4P	D24	060-135	D48
020-110	D24	040-095-2P	D32S(S)	060-150	D32S(S)
020-135	D32	040-095-4P	D24	080-135	D42
025-070-2P	D24	040-110	D32	080-150	D48
025-070-4P	D16	040-135	D32	100-150	D48
025-095-2P	D32S(S)				

Step 2: Use the d5 dimension to find the needed kit.

d5	Kit - Bearing bracket	Kit - Bearing	Kit - V-ring	Kit - End bearing cover	Kit - Front bearing cover
D16	-	-	-	-	-
D24	92729022	92729009	92729019	92729016	98819584
D32S(S)	92729023	92729010	92729020	92729017	98819677
D32	92837594	92729010	92729020	92729017	98819677
D42	92729024	92729012	92729021	92729018	98819874
D48	92837595	92837591	92837593	92837592	98819880

Kit - Bearing bracket foot



TM1040115

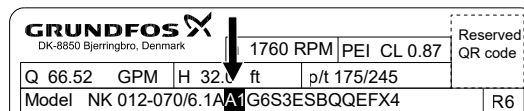
Kit - Bearing bracket foot

- 90c: Bearing bracket foot
- 90d: Needed number of hex head screw(s)/bolt(s)
- 90e: Needed number of hex head screw(s)/bolt(s)
- 90h: Needed number of washers

Step 1: Find the pump size and note the foot code.

Pump size	Foot code	Pump size	Foot code	Pump size	Foot code
012-070-2P	F02	025-095-4P	F05	040-150	F14
012-070-4P	F02	025-110	F08	050-070-2P	F05
015-070-2P	F02	030-070-2P	F03	050-070-4P	F05
015-070-4P	F02	030-070-4P	F03	050-095	F09
015-090-2P	F04	030-095-2P	F08	050-110	F09
015-090-4P	F04	030-095-4P	F05	050-135	F14
015-095-2P	F04	030-110	F08	050-150	F15
015-095-4P	F04	030-135	F09	060-095	F11
020-095-2P	F10	040-070-2P	F04	060-110	F14
020-095-4P	F04	040-070-4P	F04	060-135	F14
020-110	F04	040-095-2P	F07	060-150	F18
020-135	F07	040-095-4P	F06	080-135	F16
025-070-2P	F03	040-110	F07	080-150	F19
025-070-4P	F03	040-135	F09	100-150	F20
025-095-2P	F08				

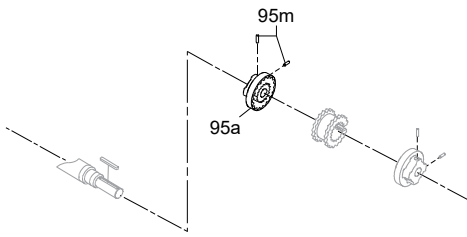
Step 2: Use the foot code and the pump version code to find the needed kit.



Pump version code

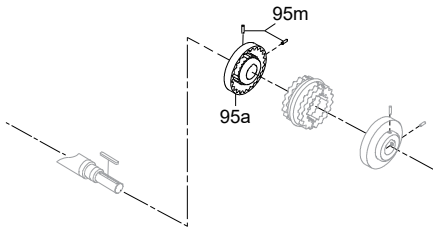
Foot code	Kit - Bearing bracket foot	
	Pump version	
	A1, A2, I1, I2, Y1	G1, G2, H1, H2, J1, J2, K1, K2, W1, Z1
F02	92728692	92728691
F03	92765071	92765073
F04	92765074	92765075
F05	92728709	92728711
F06	92728710	92728712
F07	92728712	92728714
F08	92728711	92728704
F09	92728716	92728715
F10	92765075	92765072
F11	92728717	92728716
F12	92728709	92728714
F13	92728713	92728704
F14	92765077	92765076
F15	92728720	92728719
F16	92728722	92728721
F17	92728723	92728723
F18	92728725	92728725
F19	92728724	92728724
F20	92728726	92728726

Kit - Pump hub, standard coupling



TM084906

Pump hub, standard coupling (small)



TM084908

Pump hub, standard coupling (large)

Kit - Pump hub, standard coupling

95a: Pump hub ASSY⁹⁾

- Pump hub
- Set screws

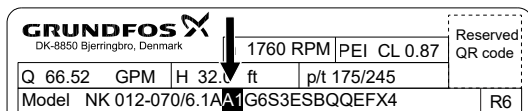
⁹⁾ When ASSY (assembly) is mentioned, the sub components of the kit are represented without position numbers. The kit is only shown via one position number.

Step 1: Find the motor frame size on the motor nameplate.

CAT.NO.	EM25254T-4	SPEC NO.	P44G1775
HP	250	AMPS	275
VOLTS	460	DESIGN	B
FRAME	447T	RPM	1785
HZ	60	AMB	40
SF	1.15	PHASE	3
DUTY	CONT	INSUL.CLASS	F
DRIVE END BEARING	90BC03J30X	TYPE	P
OPP D.E. BEARING	90BC03J30X	ENCL	DP
SER.NO.		CODE	G
POWER FACTOR	88	NEMA-NOM-EFFICIENCY	96.2
MAX CORR KVAR	40.0	GUARANTEED EFFICIENCY	95.8
NEMA NOM/CSA QUOTED EFF			
MOTOR WEIGHT	2015		

TM086550

Step 2: Use the pump version code, the pump size, and the motor frame size to find the pump hub code.



Pump version code

Pump versions: A1, I1

Pump size	143T	145T	182T	184T	213T	215T	254T	256T	284T	284TS	286T	286TS	324T	324TS
012-070-2P		B1	C1	C1	D1	D1	E1							
012-070-4P	A1	A1												
015-070-2P			C2	C2	D2	D2	E2	E2						
015-070-4P	A1	B1	C1											
015-090-4P		B2	C2	C2										
015-095-4P		B2	C2	C2	D2									
020-095-2P						D3	E3	E3		E3		E3		E3

Pump size	143T	145T	182T	184T	213T	215T	254T	256T	284T	284TS	286T	286TS	324T	324TS
020-095-4P		B2	C2	C2	D2									
020-110			C2	C2	D2	D2	E2							
020-135					D3	D3	E3	E3	E3					
025-070-2P				C2	D2	D2	E2	E2		E2		E2		
025-070-4P	A1	B1	C1	C1										
025-095-4P		B2	C2	C2	D2	D2								
025-110				D3	D3	D3	E3							
030-070-2P						D2	E2	E2		E2		E2		E2
030-070-4P		B1	C1	C1										
030-095-2P												E3		E3
030-095-4P			C2	C2	D2	D2	E2							
030-110					D3	D3	E3	E3						
030-135						D3	E3	E3	E3		F2		F2	
040-070-4P	B2	B2	C2	C2	D2									
040-095-2P														
040-095-4P				C2	D2	D2	E2	E2						
040-110					D3	D3	E3	E3	E3		F2			
040-135						D3	E3	E3	E3		F2		F2	
040-150									E4		F3		G3	
050-070-2P							E2	E2		E2		E2		E2
050-070-4P	B2	B2	C2	C2	D2	D2								
050-095					D3	D3	E3	E3	E3		F2			
050-110						D3	E3	E3	E3		F2		F2	
050-135								E4	E4		F3		F3	
050-150													G3	
060-095						D3	E3	E3	E3		F2		F2	
060-110							E4	E4	E4		F3		F3	
060-135								E4	E4		F3		F3	
060-150														
080-135									E4		F3		G3	
080-150														
100-150														

Pump size	326T	326TS	364T	364TS	365T	365TS	404T	404TS	405T	405TS	444T	444TS	445T	445TS	447T
012-070-2P															
012-070-4P															
015-070-2P															
015-070-4P															
015-090-4P															
015-095-4P															
020-095-2P		F2		F2											
020-095-4P															
020-110															
020-135															
025-070-2P															
025-070-4P															
025-095-4P															
025-110															
030-070-2P															
030-070-4P															
030-095-2P		F2		F2		G2		G2		G2		H2			
030-095-4P															
030-110															
030-135															
040-070-4P															

Pump size	326T	326TS	364T	364TS	365T	365TS	404T	404TS	405T	405TS	444T	444TS	445T	445TS	447T
040-095-2P		F2		F2		G2		G2		H2		H2		H2	
040-095-4P															
040-110															
040-135	G2														
040-150	G3		G3		H3		J1		J1		J1		J1		
050-070-2P		F1		F1		F1									
050-070-4P															
050-095															
050-110															
050-135	G3		G3		H3										
050-150	G3		H3		H3		J1		J1		J1		K1		K1
060-095															
060-110	G3		G3												
060-135	G3		G3		H3		H3		J1		J1				
060-150			H4		H4		J2		J2		K2		K2		K2
080-135	G3		G3		H3		H3		J1		J1		K1		K1
080-150			H4		H4		J2		J2		K2		K2		K2
100-150					H4		J2		J2		K2		K2		K2

Pump versions: G1, H1, J1, K1

Pump size	143T	145T	182T	184T	213T	215T	254T	256T	284T	284TS	286T	286TS	324T	324TS
015-090-2P						D2	E2	E2		E2		E2		E2
015-095-2P						D2	E2	E2		E2		E2		E2
025-095-2P								E3		E3		E3		E3
040-070-2P							E2	E2		E2		E2		E2

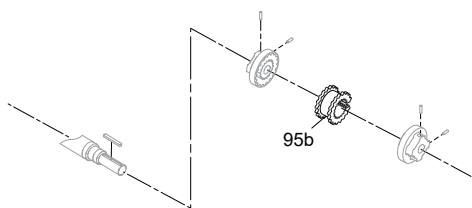
Pump size	326T	326TS	364T	364TS	365T	365TS	404T	404TS	405T	405TS	444T	444TS	445T	445TS	447T
015-090-2P															
015-095-2P		F1													
025-095-2P		F2		F2		F2									
040-070-2P		F1													

Step 3: Use the pump hub code and the size to find the needed kit.

Pump hub code	Pump hub cpl.	Kit - Pump hub, standard coupling (small)	Kit - Pump hub, standard coupling (large)
A1	3J, 16mm	93039224	-
B1	4J, 16mm	93039225	-
B2	4J, 24mm	93039226	-
C1	5S, 16mm	-	93039227
C2	5S, 24mm	-	93039228
D1	6S, 16mm	-	93039229
D2	6S, 24mm	-	93039230
D3	6S, 32mm	-	93039231
E1	7S, 16mm	-	93039232
E2	7S, 24mm	-	93039233
E3	7S, 32mm	-	93039234
E4	7S, 42mm	-	93039235
F1	8S, 24mm	-	93039236
F2	8S, 32mm	-	93039237
F3	8S, 42mm	-	93039238
G2	9S, 32mm	-	93039240
G3	9S, 42mm	-	93039241
H2	10S, 32mm	-	93039243
H3	>10S, 42mm	-	93039244

Pump hub code	Pump hub cpl.	Kit - Pump hub, standard coupling (small)	Kit - Pump hub, standard coupling (large)
H4	10S, 48mm	-	93039245
J1	11S, 42mm	-	93039246
J2	11S, 48mm	-	93039247
K1	12S, 42mm	-	93039248
K2	12S, 48mm	-	93039249

Kit/spare/bulk- Rubber, standard coupling



TM1040509

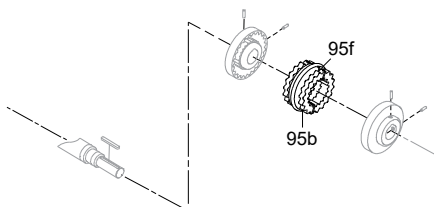
Rubber, standard coupling (small)

Spare - Rubber, standard coupling (small)

95b: Rubber piece

Bulk - Rubber, standard coupling (small)

95b: 5 x Rubber piece



TM084909

Rubber, standard coupling (large)

Kit - Rubber, standard coupling (large)

95b: Rubber piece

- 2 x Rubber halves
- Retaining ring

Bulk - Rubber, standard coupling (large)

95b: 5 x Rubber piece

- 5 x 2 x Rubber halves
- 5 x Retaining ring

Step 1: Find the motor frame size on the motor nameplate.

CAT.NO.	EM25254T-4	SPEC NO.	P44G1775
HP	250	AMPS	275
VOLTS	460	DESIGN	B
FRAME	447T	RPM	1785
HZ	60	AMB	40
SF	1.15	INSUL.CLASS	F
DRIVE END BEARING	90BC03330X	PHASE	3
DUTY	CONT	INSUL.CLASS	F
OPP D.E. BEARING	90BC03330X	TYPE	P
ENCL	DP	CODE	G
SER.NO.		POWER FACTOR	88
NEMA-NOM-EFFICIENCY	96.2		
MAX CORR KVAR	40.0	GUARANTEED EFFICIENCY	95.8
NEMA NOM/CSA QUOTED EFF			
MOTOR WEIGHT	2015		

TM086550

Step 2: Use the pump version code, the pump size, and the motor frame size to find the rubber code.

GRUNDFOS DK-8850 Bjerringbro, Denmark		1760 RPM	PEI	CL 0.87	Reserved QR code
Q 66.52	GPM	H 32.0	ft	p/t 175/245	
Model	NK 012-070/6.1A	A1G6S3ESBQEFX4			R6

Pump version code

Pump versions: A1, I1

Pump size	143T	145T	182T	184T	213T	215T	254T	256T	284T	284TS	286T	286TS	324T	324TS
012-070-2P		B	C	C	D	D	E							
012-070-4P	A	A												
015-070-2P			C	C	D	D	E	E						
015-070-4P	A	B	C											
015-090-2P						D	E	E		E		E		E
015-090-4P		B	C	C										
015-095-2P						D	E	E		E		E		E
015-095-4P		B	C	C	D									
020-095-2P						D	E	E		E		E		E
020-095-4P		B	C	C	D									
020-110			C	C	D	D	E							
020-135					D	D	E	E	E					
025-070-2P				C	D	D	E	E		E		E		
025-070-4P	A	B	C	C										
025-095-2P								E		E		E		E
025-095-4P		B	C	C	D	D								
025-110				D	D	D	E							
030-070-2P						D	E	E		E		E		E
030-070-4P		B	C	C										
030-095-2P												E		E
030-095-4P			C	C	D	D	E							
030-110					D	D	E	E						
030-135						D	E	E	E		F		F	
040-070-2P							E	E		E		E		E
040-070-4P	B	B	C	C	D									
040-095-2P														
040-095-4P			C	D	D	E	E							
040-110					D	D	E	E	E		F			
040-135						D	E	E	E		F		F	
040-150									E		F		G	
050-070-2P							E	E		E		E		E
050-070-4P	B	B	C	C	D	D								
050-095					D	D	E	E	E		F			
050-110						D	E	E	E		F		F	
050-135							E	E		F		F		F

Pump size	143T	145T	182T	184T	213T	215T	254T	256T	284T	284TS	286T	286TS	324T	324TS
050-150														G
060-095						D	E	E	E		F		F	
060-110							E	E	E		F		F	
060-135								E	E		F		F	
060-150														
080-135									E		F		G	
080-150														
100-150														

Pump size	326T	326TS	364T	364TS	365T	365TS	404T	404TS	405T	405TS	444T	444TS	445T	445TS	447T
012-070-2P															
012-070-4P															
015-070-2P															
015-070-4P															
015-090-2P															
015-090-4P															
015-095-2P		F													
015-095-4P															
020-095-2P		F		F											
020-095-4P															
020-110															
020-135															
025-070-2P															
025-070-4P															
025-095-2P		F		F		F									
025-095-4P															
025-110															
030-070-2P															
030-070-4P															
030-095-2P		F		F		G		G		G		H			
030-095-4P															
030-110															
030-135															
040-070-2P		F													
040-070-4P															
040-095-2P		F		F		G		G		H		H		H	
040-095-4P															
040-110															
040-135	G														
040-150	G		G		H		J		J		J		J		
050-070-2P		F		F		F									
050-070-4P															
050-095															
050-110															
050-135	G		G		H										
050-150	G		H		H		J		J		J		K		K
060-095															
060-110	G		G												
060-135	G		G		H		H		J		J				
060-150			H		H		J		J		K		K		K
080-135	G		G		H		H		J		J		K		K
080-150			H		H		J		J		K		K		K
100-150					H		J		J		K		K		K

Pump versions: G1, H1, J1, K1

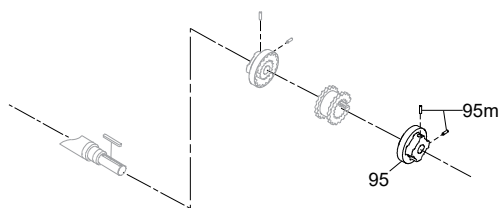
Pump size	143T	145T	182T	184T	213T	215T	254T	256T	284T	284TS	286T	286TS	324T	324TS
015-090-2P						D	E	E		E		E		E
015-095-2P						D	E	E		E		E		E
025-095-2P								E		E		E		E
040-070-2P							E	E		E		E		E

Pump size	326T	326TS	364T	364TS	365T	365TS	404T	404TS	405T	405TS	444T	444TS	445T	445TS	447T
015-090-2P															
015-095-2P		F													
025-095-2P		F		F		F									
040-070-2P		F													

Step 3: Use the rubber code and the size to find the needed kit/spare/bulk.

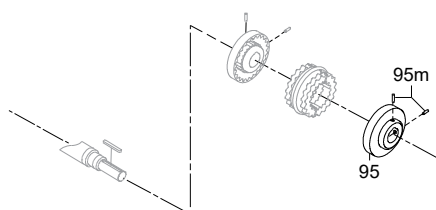
Rubber code	Rubber cpl.	Spare- Rubber, standard coupling (small)	Bulk - Rubber, standard coupling (small)	Kit - Rubber, standard coupling (large)	Bulk - Rubber, standard coupling (large)
A	3JES	93039268	93091520	-	-
B	4JES	93039269	93091521	-	-
C	5JES	93039282	93091522	-	-
D	6JES	93039283	93091523	-	-
E	7E	-	-	93039284	93091524
F	8E	-	-	93039285	93091525
G	9E	-	-	93039286	93091526
H	10E	-	-	93039287	93091527
J	11E	-	-	93039288	93091528
K	12E	-	-	93039289	93091529

Kit - Motor hub, standard coupling



TM084907

Motor hub, standard coupling (small)



TM084910

Motor hub, standard coupling (large)

Kit - Motor hub, standard coupling

95: Motor hub ASSY ¹⁰⁾

- Motor hub
- Set screws

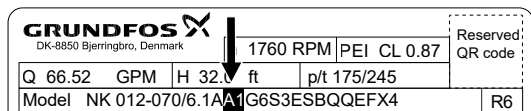
¹⁰⁾ When ASSY (assembly) is mentioned, the sub components of the kit are represented without position numbers. The kit is only shown via one position number.

Step 1: Find the motor frame size on the motor nameplate.

CAT.NO.	EM25254T-4	SPEC NO.	P44G1775
HP	250	AMPS	275
VOLTS	460	DESIGN	B
FRAME	447T	RPM	1785
HZ	60	AMB	40
SF	1.15	PHASE	3
DUTY	CONT	INSUL.CLASS	F
DRIVE END BEARING	90BC03J30X	TYPE	P
OPP D.E. BEARING	90BC03J30X	ENCL	DP
SER.NO.		CODE	G
POWER FACTOR	88	NEMA-NOM-EFFICIENCY	96.2
MAX CORR KVAR	40.0	GUARANTEED EFFICIENCY	95.8
NEMA NOM/CSA QUOTED EFF			
MOTOR WEIGHT	2015		

TM086550

Step 2: Use the pump version code, the pump size, and the motor frame size to find the motor hub code.



Pump version code

Pump versions: A1, I1

Pump size	143T	145T	182T	184T	213T	215T	254T	256T	284T	284TS	286T	286TS	324T	324TS
012-070-2P		B1	C1	C1	D2	D2	E1							
012-070-4P	A1	A1												
015-070-2P			C1	C1	D2	D2	E1	E1						
015-070-4P	A1	B1	C1											
015-090-4P		B1	C1	C1										
015-095-4P		B1	C1	C1	D2									
020-095-2P						D2	E1	E1		E1		E1		E2

Pump size	143T	145T	182T	184T	213T	215T	254T	256T	284T	284TS	286T	286TS	324T	324TS
020-095-4P		B1	C1	C1	D2									
020-110			C1	C1	D2	D2	E1							
020-135					D2	D2	E1	E1	E2					
025-070-2P				C1	D2	D2	E1	E1		E1		E1		
025-070-4P	A1	B1	C1	C1										
025-095-4P		B1	C1	C1	D2	D2								
025-110				D1	D2	D2	E1							
030-070-2P						D2	E1	E1		E1		E1		E2
030-070-4P		B1	C1	C1										
030-095-2P												E1		E2
030-095-4P			C1	C1	D2	D2	E1							
030-110					D2	D2	E1	E1						
030-135						D2	E1	E1	E2		F1		F2	
040-070-2P							E1	E1		E1		E1		E2
040-070-4P	B1	B1	C1	C1	D2									
040-095-2P														
040-095-4P				C1	D2	D2	E1	E1						
040-110					D2	D2	E1	E1	E2		F1			
040-135						D2	E1	E1	E2		F1		F2	
040-150									E2		F1		G2	
050-070-2P							E1	E1		E1		E1		E2
050-070-4P	B1	B1	C1	C1	D2	D2								
050-095					D2	D2	E1	E1	E2		F1			
050-110						D2	E1	E1	E2		F1		F2	
050-135							E1	E2		F1			F2	
050-150													G2	
060-095						D2	E1	E1	E2		F1		F2	
060-110							E1	E1	E2		F1		F2	
060-135							E1	E2		F1			F2	
060-150														
080-135									E2		F1		G2	
080-150														
100-150														

Pump size	326T	326TS	364T	364TS	365T	365TS	404T	404TS	405T	405TS	444T	444TS	445T	445TS	447T
012-070-2P															
012-070-4P															
015-070-2P															
015-070-4P															
015-090-4P															
015-095-4P															
020-095-2P		F1		F1											
020-095-4P															
020-110															
020-135															
025-070-2P															
025-070-4P															
025-095-4P															
025-110															
030-070-2P															
030-070-4P															
030-095-2P		F1		F1		G1		G2		G2		H2			
030-095-4P															
030-110															
030-135															

Pump size	326T	326TS	364T	364TS	365T	365TS	404T	404TS	405T	405TS	444T	444TS	445T	445TS	447T
040-070-2P	F1														
040-070-4P	F1														
040-095-2P	F1		F1		G1		G2		H1		H2		H2		
040-095-4P	F1														
040-110	F1														
040-135	G2														
040-150	G2		G3		H2		J1		J1		J2		J2		
050-070-2P	F1				F1		F1								
050-070-4P	F1														
050-095	F1														
050-110	F1														
050-135	G2		G3		H2										
050-150	G2		H2		H2		J1		J1		J2		K1		K1
060-095	F1														
060-110	G2		G3												
060-135	G2		G3		H2		H3		J1		J2				
060-150			H2		H2		J1		J1		K1		K1		K1
080-135	G2		G3		H2		H3		J1		J2		K1		K1
080-150			H2		H2		J1		J1		K1		K1		K1
100-150					H2		J1		J1		K1		K1		K1

Pump versions: G1, H1, J1, K1

Pump size	143T	145T	182T	184T	213T	215T	254T	256T	284T	284TS	286T	286TS	324T	324TS
015-090-2P						D2	E1	E1		E1		E1		E2
015-095-2P						D2	E1	E1		E1		E1		E2
025-095-2P								E1		E1		E1		E2
040-070-2P							E1	E1		E1		E1		E2

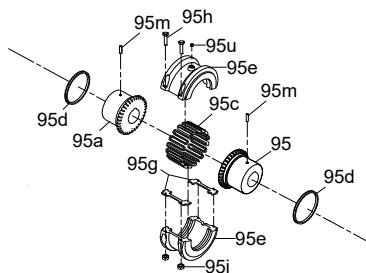
Pump size	326T	326TS	364T	364TS	365T	365TS	404T	404TS	405T	405TS	444T	444TS	445T	445TS	447T
015-090-2P	F1														
015-095-2P	F1														
025-095-2P	F1		F1		F1										
040-070-2P	F1														

Step 3: Use the motor hub code and the size to find the needed kit.

Motor hub code	Motor hub cpl.	Kit - motor hub, standard coupling (small)	Kit - motor hub, standard coupling (large)
A1	3J, 0.875	93039250	-
B1	4J, 0.875	93039251	-
C1	5S, 1.125	-	93039252
D1	6S, 1.125	-	93039253
D2	6S, 1.375	-	93039254
E1	7S, 1.625	-	93039255
E2	7S, 1.875	-	93039256
F1	8S, 1.875	-	93039257
F2	8S, 2.125	-	93039258
G1	9S, 1.875	-	93039259
G2	9S, 2.125	-	93039260
G3	9S, 2.375	-	93039261
H1	10S, 2.125	-	93039262
H2	10S, 2.375	-	93039263
H3	10S, 2.875	-	93039264

Motor hub code	Motor hub cpl.	Kit - motor hub, standard coupling (small)	Kit - motor hub, standard coupling (large)
J1	11S, 2.875	-	93039265
J2	11S, 3.375	-	93039266
K1	12S, 3.375	-	93039267

Kit – Grid coupling cpl., standard



TM086339

Kit – Grid coupling cpl., standard

95e: Grid coupling ASSY ¹¹⁾

- 1 x Grid
- 2 x Plug in coupling halves
- 2 x Seal ring
- 2 x Cover half
- 2 x Gasket
- 4 x Nut
- 4 x Screw
- 1 x Pump hub
- 1 x Motor hub

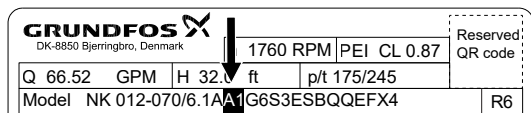
¹¹⁾ When ASSY (assembly) is mentioned, the sub components of the kit are represented without position numbers. The kit is only shown via one position number.

Step 1: Find the motor frame size on the motor nameplate.

CAT.NO.	EM25254T-4	SPEC NO.	P44G1775
HP	250	AMPS	275
VOLTS	460	DESIGN	B
FRAME	447T	RPM	1785
HZ	60	AMB	40
SF	1.15	PHASE	3
DUTY	CONT	INSUL.CLASS	F
OPP D.E. BEARING	90BC03J30X	TYPE	P
ENCL	DP	CODE	G
SER.NO.		POWER FACTOR	88
NEMA-NOM-EFFICIENCY	96.2	MAX CORR KVAR	40.0
GUARANTEED EFFICIENCY	95.8	NEMA NOM/CSA QUOTED EFF	
MOTOR WEIGHT	2015		

TM086550

Step 2: Use the pump version code, the pump size, and the motor frame size to find the coupling code.



Pump version code

Pump versions: A1, I1

Pump size	143T	145T	182T	184T	213T	215T	254T	256T	284T	284TS	286T	286TS	324T	324TS
012-070-2P		AA2	AB1	AB1	AC1	AC1	AD1							
012-070-4P	AA1	AA1												
015-070-2P			BB1	BB1	BC1	BC1	BD1	BD1						
015-070-4P	AA1	AA2	AB1											
015-090-4P		BA1	BB1	BB1										
015-095-4P		BA1	BB1	BB1	BC1									
020-095-2P						CC1	CD1	CD1		CD1		CD1		CE1
020-095-4P		BA1	BB1	BB1	BC1									
020-110			BB1	BB1	BC1	BC1	BD1							
020-135					CC1	CC1	CD1	CD1	CE1					
025-070-2P				BB1	BC1	BC1	BD1	BD1		BD1		BD1		
025-070-4P	AA1	AA2	AB1	AB1										
025-095-4P		BA1	BB1	BB1	BC1	BC1								

Pump size	143T	145T	182T	184T	213T	215T	254T	256T	284T	284TS	286T	286TS	324T	324TS
025-110				CB1	CC1	CC1	CD1							
030-070-2P						BC1	BD1	BD1		BD1		BD1		BE1
030-070-4P		AA2	AB1	AB1										
030-095-2P												CD1		CE1
030-095-4P			BB1	BB1	BC1	BC1	BD1							
030-110					CC1	CC1	CD1	CD1						
030-135						CC1	CD1	CD1	CE1		CE2		CF1	
040-070-4P	BA1	BA1	BB1	BB1	BC1									
040-095-2P														
040-095-4P				BB1	BC1	BC1	BD1	BD1						
040-110					CC1	CC1	CD1	CD1	CE1		CE2			
040-135						CC1	CD1	CD1	CE1		CE2		CF1	
040-150									DE1		DE2		DF1	
050-070-2P							BD1	BD1		BD1		BD1		BE1
050-070-4P	BA1	BA1	BB1	BB1	BC1	BC1								
050-095					CC1	CC1	CD1	CD1	CE1		CE2			
050-110						CC1	CD1	CD1	CE1		CE2		CF1	
050-135								DD1	DE1		DE2		DF1	
050-150													DF1	
060-095						CC1	CD1	CD1	CE1		CE2		CF1	
060-110							DD1	DD1	DE1		DE2		DF1	
060-135								DD1	DE1		DE2		DF1	
060-150														
080-135									DE1		DE2		DF1	
080-150														
100-150														

Pump versions: A1, I1

Pump size	326T	326TS	364T	364TS	365T	365TS	404T	404TS	405T	405TS	444T	444TS	445T	445TS	447T
012-070-2P															
012-070-4P															
015-070-2P															
015-070-4P															
015-090-4P															
015-095-4P															
020-095-2P		CE2		CE2											
020-095-4P															
020-110															
020-135															
025-070-2P															
025-070-4P															
025-095-4P															
025-110															
030-070-2P															
030-070-4P															
030-095-2P		CE2		CE2		CE3		CF2		CF2		CG1			
030-095-4P															
030-110															
030-135															
040-070-4P															
040-095-2P		CE2		CE2		CE3		CF2		CF3		CG1		CG1	
040-095-4P															
040-110															
040-135	CF2														
040-150	DF2		DG1		DG2		DH2		DH2		DJ1		DJ1		

Pump size	326T	326TS	364T	364TS	365T	365TS	404T	404TS	405T	405TS	444T	444TS	445T	445TS	447T
050-070-2P		BE2		BE2		BE2									
050-070-4P															
050-095															
050-110															
050-135	DF2		DG1		DG2										
050-150	DF2		DG2		DG2		DH2		DH2		DJ1		DJ2		DJ2
060-095															
060-110	DF2		DG1												
060-135	DF2		DG1		DG2		DH1		DH2		DJ1				
060-150			EG1		EG1		EH1		EH1		EJ1		EJ1		EJ1
080-135	DF2		DG1		DG2		DH1		DH2		DJ1		DJ2		DJ2
080-150			EG1		EG1		EH1		EH1		EJ1		EJ1		EJ1
100-150					EG1		EH1		EH1		EJ1		EJ1		EJ1

Pump versions: G1, H1, J1, K1

Pump size	143T	145T	182T	184T	213T	215T	254T	256T	284T	284TS	286T	286TS	324T	324TS
015-090-2P						BC1	BD1	BD1		BD1		BD1		BE1
015-095-2P						BC1	BD1	BD1		BD1		BD1		BE1
025-095-2P								CD1		CD1		CD1		CE1
040-070-2P							BD1	BD1		BD1		BD1		BE1

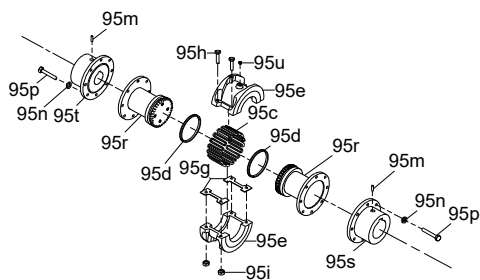
Pump size	326T	326TS	364T	364TS	365T	365TS	404T	404TS	405T	405TS	444T	444TS	445T	445TS	447T
015-090-2P															
015-095-2P		BE2													
025-095-2P		CE2		CE2		CE2									
040-070-2P		BE2													

Step 3: Use the coupling code and the dimension to find the needed kit.

Coupling code	Coupling cpl.	Kit - Grid coupling, standard
		Black painted steel
AA1	1020T10 16mm, 0.875"	93091396
AA2	1020T10 16mm, 0.875"	93091396
AB1	1020T10 16mm, 1.125"	93091397
BA1	1020T10, 24mm, 0.875"	93091398
BB1	1020T10, 24mm, 1.125"	93091399
BC1	1030T10, 24mm, 1.375"	93091400
AC1	1030T10, 16mm, 1.375"	93091401
AD1	1040T10, 16mm, 1.625"	93091402
BD1	1040T10, 24mm, 1.625"	93091403
BE1	1050T10, 24mm, 1.875"	93091404
BE2	1050T10, 24mm, 1.875"	93091404
CB1	1030T10, 32mm, 1.125"	93091405
CC1	1030T10, 32mm, 1.375"	93091406
CD1	1040T10, 32mm, 1.625"	93091407
CE1	1050T10, 32mm, 1.875"	93091408
CE2	1050T10, 32mm, 1.875"	93091408
CF1	1060T10, 32mm, 2.125"	93091410
CE3	1050T10, 32mm, 1.875"	93091408
CF2	1060T10, 32mm, 2.125"	93091410
CG1	1070T10, 32mm, 2.375"	93091409
CF3	1060T10, 32mm, 2.125"	93091410
DD1	1050T10, 42mm, 1.625"	93091411
DE1	1050T10, 42mm, 1.875"	93091412

Coupling code	Coupling cpl.	Kit - Grid coupling, standard
		Black painted steel
DE2	1050T10, 42mm, 1.875"	93091412
DF1	1060T10, 42mm, 2.125"	93091413
DF2	1060T10, 42mm, 2.125"	93091413
DG1	1070T10, 42mm, 2.375"	93091414
DG2	1070T10, 42mm, 2.375"	93091414
DH1	1080T10, 42mm, 2.875"	93091415
DH2	1080T10, 42mm, 2.875"	93091415
DJ1	1090T10, 42mm, 3.375"	93091416
DJ2	1090T10, 42mm, 3.375"	93091416
EG1	1070T10, 48mm, 2.375"	93091417
EH1	1080T10, 48mm, 2.875"	93091418
EJ1	1090T10, 48mm, 3.375"	93091419

Kit – Grid coupling cpl., spacer



TM086340

Kit – Grid coupling cpl., spacer

95r: Grid coupling incl. spacer ASSY ¹²⁾

- 1 x Grid
- 2 x Plug in coupling halves
- 2 x Seal ring
- 2 x Spacer half
- 2 x Cover half
- 2 x Gasket
- 4 x Nut
- 4 x Screw
- 1 x Pump hub
- 1 x Motor hub

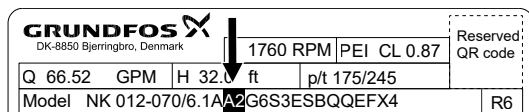
¹²⁾ When ASSY (assembly) is mentioned, the sub components of the kit are represented without position numbers. The kit is only shown via one position number.

Step 1: Find the motor frame size on the motor nameplate.

CAT.NO.	EM25254T-4	SPEC NO.	P44G1775
HP	250	AMPS	275
FRAME	447T	RPM	1785
		HZ	60
		VOLTS	460
		DESIGN	B
DRIVE END BEARING	90BC0330X	PHASE	3
OPP D.E. BEARING	90BC0330X	DUTY	CONT
SER.NO.		INSUL.CLASS	F
		POWER FACTOR	88
		NEMA-NOM-EFFICIENCY	96.2
		MAX CORR KVAR	40.0
		GUARANTEED EFFICIENCY	95.8
		NEMA NOM/CSA QUOTED EFF	
		MOTOR WEIGHT	2015

TM086550

Step 2: Use the pump version code, the pump size, and the motor frame size to find the coupling guard code.



Pump version code

Pump versions: A2, I2

Pump size	143T	145T	182T	184T	213T	215T	254T	256T	284T	284TS	286T	286TS	324T	324TS
012-070-2P		AA1	AB1	AB1	AC1	AC1	AD7							
012-070-4P	AA1	AA1												
015-070-2P			BB1	BB1	BC1	BC1	BD6	BD6						
015-070-4P	AA1	AA1	AB1											
015-090-4P		BA1	BB1	BB1										
015-095-4P		BA1	BB1	BB1	BC1									
020-095-2P						CC1	CD6	CD6		CD6		CD6		CE12
020-095-4P		BA1	BB1	BB1	BC1									
020-110			BB1	BB1	BC1	BC1	BD6							
020-135					CC4	CC4	CD9	CD9	CE15					
025-070-2P				BB3	BC3	BC3	BD8	BD8		BD8		BD8		
025-070-4P	AA2	AA2	AB2	AB2										

Pump size	143T	145T	182T	184T	213T	215T	254T	256T	284T	284TS	286T	286TS	324T	324TS
025-095-4P		BA1	BB1	BB1	BC1	BC1								
025-110				CB4	CC4	CC4	CD9							
030-070-2P						BC1	BD7	BD7		BD7		BD7		BE13
030-070-4P		AA1	AB1	AB1										
030-095-2P												CD9		CE15
030-095-4P			BB4	BB4	BC4	BC4	BD9							
030-110					CC4	CC4	CD9	CD9						
030-135						CC4	CD9	CD9	CE15		CE15		CF15	
040-070-2P							BD9	BD9		BD9		BD9		BE14
040-070-4P	BA3	BA3	BB3	BB3	BC3									
040-095-2P														
040-095-4P				BB4	BC4	BC4	BD9	BD9						
040-110					CC4	CC4	CD10	CD10	CE16		CE16			
040-135						CC4	CD10	CD10	CE16		CE16		CF16	
040-150									DE16		DE16		DF16	
050-070-2P							BD9	BD9		BD9		BD9		BE14
050-070-4P	BA3	BA3	BB3	BB3	BC3	BC3								
050-095					CC4	CC4	CD10	CD10	CE16		CE16			
050-110						CC5	CD11	CD11	CE17		CE17		CF17	
050-135							DD16	DE16		DE16		DE16		DF16
050-150														DF17
060-095						CC5	CD11	CD11	CE17		CE17		CF17	
060-110							DD17	DD17	DE17		DE17		DF17	
060-135							DD18	DE18		DE18		DE18		DF18
060-150														
080-135									DE18		DE18		DF18	
080-150														
100-150														

Pump size	326T	326TS	364T	364TS	365T	365TS	404T	404TS	405T	405TS	444T	444TS	445T	445TS	447T
012-070-2P															
012-070-4P															
015-070-2P															
015-070-4P															
015-090-4P															
015-095-4P															
020-095-2P		CE12		CE12											
020-095-4P															
020-110															
020-135															
025-070-2P															
025-070-4P															
025-095-4P															
025-110															
030-070-2P															
030-070-4P															
030-095-2P		CE15		CE15		CE15		CF15		CF15		CG19			
030-095-4P															
030-110															
030-135															
040-070-2P		BE14													
040-070-4P															
040-095-2P		CE15		CE15		CE15		CF15		CF15		CG19		CG19	
040-095-4P															
040-110															

Pump size	326T	326TS	364T	364TS	365T	365TS	404T	404TS	405T	405TS	444T	444TS	445T	445TS	447T
040-135	CF16														
040-150	DF16		DG20		DG20		DH23		DH23		DJ26		DJ26		
050-070-2P		BE14		BE14		BE14									
050-070-4P															
050-095															
050-110															
050-135	DF16		DG20		DG20										
050-150	DF17		DG21		DG21		DH23		DH23		DJ26		DJ26		DJ26
060-095															
060-110	DF17		DG21												
060-135	DF18		DG21		DG21		DH24		DH24		DJ26				
060-150			EG22		EG22		EH24		EH24		EJ27		EJ27		EJ27
080-135	DF18		DG21		DG21		DH24		DH24		DJ26		DJ26		DJ26
080-150			EG22		EG22		EH25		EH25		EJ28		EJ28		EJ28
100-150					EG22		EH25		EH25		EJ28		EJ28		EJ28

Pump versions: G2, H2, J2, K2

Pump size	143T	145T	182T	184T	213T	215T	254T	256T	284T	284TS	286T	286TS	324T	324TS
015-090-2P						BC1	BD6	BD6		BD6		BD6		BE13
015-095-2P						BC1	BD6	BD6		BD6		BD6		BE13
025-095-2P								CD6		CD6		CD6		CE12
040-070-2P							BD9	BD9		BD9		BD9		BE14

Pump size	326T	326TS	364T	364TS	365T	365TS	404T	404TS	405T	405TS	444T	444TS	445T	445TS	447T
015-090-2P															
015-095-2P		BE13													
025-095-2P		CE12		CE12		CE12									
040-070-2P		BE14													

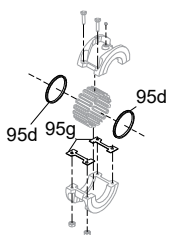
Step 3: Use the coupling code and the dimension to find the needed kit.

Coupling code	Coupling cpl.	Kit - Grid coupling, spacer
		Black painted steel
AA1	1020T31, 16mm, 0.875", 3.94"	93091428
AB1	1020T31, 16mm, 1.125", 3.94"	93091429
AC1	1020T31, 16mm, 1.375", 3.94"	93091430
BA1	1020T31, 24mm, 0.875", 3.94"	93091431
BB1	1020T31, 24mm, 1.125", 3.94"	93091432
BC1	1020T31, 24mm, 1.375", 3.94"	93091433
CC1	1020T31, 32mm, 1.375", 3.94"	93091434
AA2	1020T31, 16mm, 0.875", 4.38"	93091435
AB2	1020T31, 16mm, 1.125", 4.38"	93091436
BA3	1020T31, 24mm, 0.875", 5.00"	93091437
BB3	1020T31, 24mm, 1.125", 5.00"	93091438
BC3	1020T31, 24mm, 1.375", 5.00"	93091439
BB4	1020T31, 24mm, 1.125", 5.51"	93091440
BC4	1020T31, 24mm, 1.375", 5.51"	93091441
CB4	1020T31, 32mm, 1.125", 5.51"	93091442
CC4	1020T31, 32mm, 1.375", 5.51"	93091443
CC5	1020T31, 32mm, 1.375", 6.94"	93091444
BD6	1030T31, 24mm, 1.625", 3.50"	93091445
CD6	1030T31, 32mm, 1.625", 3.50"	93091446
AD7	1030T31, 16mm, 1.625", 3.94"	93091447

Coupling code	Coupling cpl.	Kit - Grid coupling, spacer
		Black painted steel
BD7	1030T31, 24mm, 1.625", 3.94"	93091448
BD8	1030T31, 24mm, 1.625", 4.38"	93091449
BD9	1030T31, 24mm, 1.625", 5.00"	93091450
CD9	1030T31, 32mm, 1.625", 5.00"	93091451
CD10	1030T31, 32mm, 1.625", 5.38"	93091452
CD11	1030T31, 32mm, 1.625", 6.12"	93091453
CE12	1040T31, 32mm, 1.875", 3.50"	93091454
BE13	1040T31, 24mm, 1.875", 3.94"	93091455
BE14	1040T31, 24mm, 1.875", 4.69"	93091456
CE15	1040T31, 32mm, 1.875", 5.22"	93091457
CF15	1040T31, 32mm, 2.125", 5.22"	93091458
CE16	1040T31, 32mm, 1.875", 5.51"	93091459
CF16	1040T31, 32mm, 2.125", 5.51"	93091460
DD16	1040T31, 42mm, 1.625", 5.51"	93091461
DE16	1040T31, 42mm, 1.875", 5.51"	93091462
DF16	1040T31, 42mm, 2.125", 5.51"	93091463
CE17	1040T31, 32mm, 1.875", 5.97"	93091464
CF17	1040T31, 32mm, 2.125", 5.97"	93091465
DD17	1040T31, 42mm, 1.625", 5.97"	93091466
DE17	1040T31, 42mm, 1.875", 5.97"	93091467
DF17	1040T31, 42mm, 2.125", 5.97"	93091468
DD18	1040T31, 42mm, 1.625", 6.12"	93091469

Coupling code	Coupling cpl.	Kit - Grid coupling, spacer
		Black painted steel
DE18	1040T31, 42mm, 1.875", 6.12"	93091470
DF18	1040T31, 42mm, 2.125", 6.12"	93091471
CG19	1050T31, 32mm, 2.375", 5.00"	93091472
DG20	1050T31, 42mm, 2.375", 5.51"	93091473
DG21	1050T31, 42mm, 2.375", 6.12"	93091474
EG22	1050T31, 48mm, 2.375", 7.25"	93091475
DH23	1060T31, 42mm, 2.875", 6.12"	93091476
DH24	1060T31, 42mm, 2.875", 6.94"	93091477
EH24	1060T31, 48mm, 2.875", 6.94"	93091478
EH25	1060T31, 48mm, 2.875", 8.63"	93091479
DJ26	1080T31, 42mm, 3.375", 7.07"	93091480
EJ27	1080T31, 48mm, 3.375", 7.25"	93091481
EJ28	1080T31, 48mm, 3.375", 8.59"	93091482

Kit - Grid coupling wear parts



TM084923

Kit - Grid coupling wear parts

95d: Gasket/seal ring ASSY¹³⁾

- 2 x Gasket
- 2 x Seal
- 1 x Grid

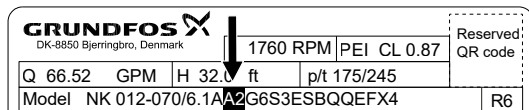
¹³⁾ When ASSY (assembly) is mentioned, the sub components of the kit are represented without position numbers. The kit is only shown via one position number.

Step 1: Find the motor frame size on the motor nameplate.

CAT.NO.	EM25254T-4	SPEC NO.	P44G1775
HP	250	AMPS	275
VOLTS	460	DESIGN	B
FRAME	447T	RPM	1785
HZ	60	AMB	40
SF	1.15	INSUL.CLASS	F
DRIVE END BEARING	90BC03330X	PHASE	3
OPP D.E. BEARING	90BC03330X	DUTY	CONT
SER.NO.		TYPE	P
ENCL		DP	
CODE		G	
POWER FACTOR	88	NEMA-NOM-EFFICIENCY	96.2
MAX CORR KVAR	40.0	GUARANTEED EFFICIENCY	95.8
NEMA NOM/CSA QUOTED EFF			
MOTOR WEIGHT	2015		

TM086550

Step 2: Use the pump version code, the pump size, and the motor frame size to find the wear parts code.



Pump version code

Pump versions: A1, I1

Pump size	143T	145T	182T	184T	213T	215T	254T	256T	284T	284TS	286T	286TS	324T	324TS
012-070-2P		A	A	A	B	B	C							
012-070-4P	A	A												
015-070-2P			A	A	B	B	C	C						
015-070-4P	A	A	A											
015-090-4P		A	A	A										
015-095-4P		A	A	A	B									
020-095-2P						B	C	C		C		C		D
020-095-4P		A	A	A	B									
020-110			A	A	B	B	C							
020-135					B	B	C	C	D					
025-070-2P				A	B	B	C	C		C		C		
025-070-4P	A	A	A	A										
025-095-4P		A	A	A	B	B								
025-110				B	B	B	C							
030-070-2P						B	C	C		C		C		D
030-070-4P		A	A	A										
030-095-2P												C		D
030-095-4P			A	A	B	B	C							

Pump size	143T	145T	182T	184T	213T	215T	254T	256T	284T	284TS	286T	286TS	324T	324TS
030-110					B	B	C	C						
030-135						B	C	C	D		D		E	
040-070-4P	A	A	A	A	B									
040-095-2P														
040-095-4P				A	B	B	C	C						
040-110					B	B	C	C	D		D			
040-135						B	C	C	D		D		E	
040-150									D		D		E	
050-070-2P							C	C		C		C		D
050-070-4P	A	A	A	A	B	B								
050-095					B	B	C	C	D		D			
050-110						B	C	C	D		D		E	
050-135								D	D		D		E	
050-150													E	
060-095						B	C	C	D		D		E	
060-110							D	D	D		D		E	
060-135								D	D		D		E	
060-150														
080-135									D		D		E	
080-150														
100-150														

Pump size	326T	326TS	364T	364TS	365T	365TS	404T	404TS	405T	405TS	444T	444TS	445T	445TS	447T
012-070-2P															
012-070-4P															
015-070-2P															
015-070-4P															
015-090-4P															
015-095-4P															
020-095-2P		D		D											
020-095-4P															
020-110															
020-135															
025-070-2P															
025-070-4P															
025-095-4P															
025-110															
030-070-2P															
030-070-4P															
030-095-2P		D		D		D		E		E		F			
030-095-4P															
030-110															
030-135															
040-070-4P															
040-095-2P		D		D		D		E		E		F		F	
040-095-4P															
040-110															
040-135	E														
040-150	E		F		F		G		G		H		H		
050-070-2P		D		D		D									
050-070-4P															
050-095															
050-110															
050-135	E		F		F										
050-150	E		F		F		G		G		H		H		H

Pump size	326T	326TS	364T	364TS	365T	365TS	404T	404TS	405T	405TS	444T	444TS	445T	445TS	447T
060-095															
060-110	E		F												
060-135	E		F		F		G		G		H				
060-150			F		F		G		G		H		H		H
080-135	E		F		F		G		G		H		H		H
080-150			F		F		G		G		H		H		H
100-150					F		G		G		H		H		H

Pump versions: G1, H1, J1, K1

Pump size	143T	145T	182T	184T	213T	215T	254T	256T	284T	284TS	286T	286TS	324T	324TS
015-090-2P						B	C	C		C		C		D
015-095-2P						B	C	C		C		C		D
025-095-2P								C		C		C		D
040-070-2P							C	C		C		C		D

Pump size	326T	326TS	364T	364TS	365T	365TS	404T	404TS	405T	405TS	444T	444TS	445T	445TS	447T
015-090-2P															
015-095-2P		D													
025-095-2P		D		D		D									
040-070-2P		D													

Step 1: Find the motor frame size on the motor nameplate.

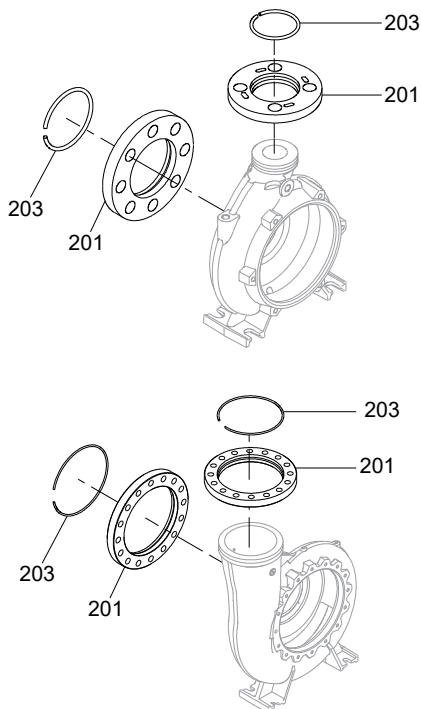
CAT.NO.	EM25254T-4	SPEC NO.	P44G1775
HP	250	AMPS	275
VOLTS	460	DESIGN	B
FRAME	447T	RPM	1785
HZ	60	AMB	40
SF	1.15	INSUL.CLASS	F
DRIVE END BEARING	90BC03J30X	PHASE	3
OPP D.E. BEARING	90BC03J30X	DUTY	CONT
SER.NO.		ENCL	DP
POWER FACTOR	88	CODE	G
NEMA-NOM-EFFICIENCY	96.2	MAX CORR KVAR	40.0
GUARANTEED EFFICIENCY	95.8	NEMA NOM/CSA QUOTED EFF	
MOTOR WEIGHT	2015		

TM086550

Step 3: Use the wear parts code to find the needed kit.

Wear parts code	Kit - Grid coupling wear parts
A	93091420
B	93091421
C	93091422
D	93091423
E	93091424
F	93091425
G	93091426
H	93091427

Kit - Loose flange(s)



Kit - Flange for inlet

- 201: Flange
- 203: Lock ring

Kit - Flange for outlet

- 201: Flange
- 203: Lock ring

Step 1: Check with pump in the list and note inlet and outlet sizes of the flanges.

GRUNDFOS DK-8850 Bjerringbro, Denmark		n 3500 RPM	PEI CL 0.90	Reserved QR code
Q 230.72	GPM	H 110.9	ft	p/t 175/248
Model NK 015-070/5.59AA1G6S3ESBQQEMX2				R6

Pump size

Pump size	Flange size (inch)		
	Inlet	Outlet	Nom. Imp.
015-070	2.5	1.5	7.0
015-090	2.5	1.5	9.0
015-095	2.5	1.5	9.5
020-095	2.5	2.0	9.5
020-110	2.5	2.0	11.0
020-135	3.0	2.0	1.4
025-070	3.0	2.5	7.0
025-095	3.0	2.5	9.5
025-110	3.0	2.5	11.0
030-070	4.0	3.0	7.0
030-095	4.0	3.0	9.5
030-110	4.0	3.0	11.0
030-135	4.0	3.0	13.5
040-070	5.0	4.0	7.0
040-095	5.0	4.0	9.5
040-110	5.0	4.0	11.0

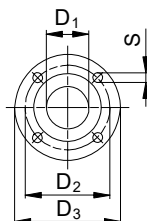
Pump size	Flange size (inch)		
	Inlet	Outlet	Nom. Imp.
040-135	5.0	4.0	13.5
040-150	5.0	4.0	15.0
050-070	6.0	5.0	7.0
050-095	6.0	5.0	9.5
050-110	6.0	5.0	11.0
050-135	6.0	5.0	13.5
050-150	6.0	5.0	15.0
060-095	8.0	6.0	9.5
060-110	8.0	6.0	11.0
060-135	8.0	6.0	13.5
060-150	8.0	6.0	15.0
080-135	10.0	8.0	13.5
080-150	10.0	8.0	15.0
100-150	12.0	10.0	15.0

Step 2: Use the Inlet/outlet flange size and the pressure rating to find the loose flange kit.

GRUNDFOS DK-8850 Bjerringbro, Denmark		n 160 RPM	PEI CL 0.87	Reserved QR code
Q 66.52	GPM	H 32.0	ft	p/t 175/245
Model NK 012-070/6.1AA1G6S3ESBQQEFX4				R6

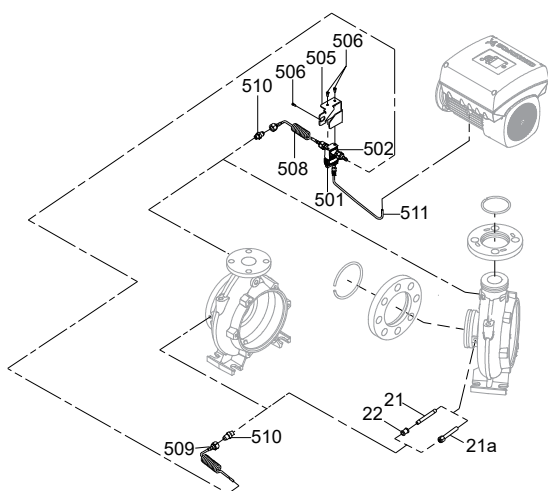
Pressure rating

- 5 = Other pressure rating
- 6 = Class 125, 175 PSI
- 7 = Class 300, 363 PSI



Inlet/outlet flange	Kit - Loose flange	D1 [inch]	D2 [inch]	D3 [inch]	S
	Class 300				
1.5	98329969	1 1/2	4 1/2	6 1/8	4 x Ø7/8
2	98329970	2	5	6 1/2	8 x Ø3/4
2.5	92526537	2 1/2	5 7/8	7 1/2	8 x Ø7/8
3	98254163	3	6 5/8	8 1/4	8 x Ø7/8
4	98254164	4	7 7/8	10	8 x Ø7/8
5	98254165	5	9 1/4	11	8 x Ø7/8
6	98254166	6	10 5/8	12 1/2	12 x Ø7/8
8	98254167	8	13	15	12 x Ø1
10	92526538	10	15 1/4	17 1/2	16 x Ø1 1/8
12	92526539	12	17 3/4	20 1/2	16 x Ø1 1/4

Kit/spare - Sensor



TM1040122

NOTE! For all NK, NKE - R6 pump housings, the bores pos. 1+2+3+4+ (6 or 7) are drilled and plugged. For more information, see section Pump housing plugs. Order the standard NK pump housing when a replacement is needed for NKE Series 2000.

Kit - Differential-pressure sensor cpl.

- 501: Sensor
- 502: Sensor housing
- 505: Sensor bracket
- 506: 3 x Screw
- 508 + 509: 2 x Capillary tube
- 510: 2 x Adapter plug
- 511: Cable (including connector to sensor)

Spare - Differential-pressure sensor

- 501: Sensor

Spare - Bracket for sensor

- 505: Sensor bracket

Kit - Capillary tube

- 508 + 509: 2 x Capillary tube
- 510: 2 x Adapter plug

Spare, cable

- 511: Cable (including connector to sensor)

Kit - Extension pipe to connect capillary tube to inlet – loose flange

- 21: Connector pipe
- 22: Nipple piece

Kit - Differential-pressure sensor cpl.

0-4 bar	0-6 bar	0-10 bar
99562724	99562725	99562726

Spare - Differential-pressure sensor

0-4 bar	0-6 bar	0-10 bar
93103760	93103327	93103328

Spare - Bracket for sensor

99562727

Kit - Capillary tube

92526544

Spare - Cable

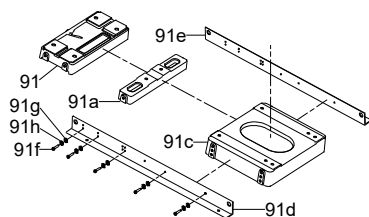
99562728

Kit - Extension pipe to connect capillary tube to inlet – loose flange

92720672

Kit - Base frame, standard coupling

Standard coupling



TM086354

Kit - Base frame, cpl., standard coupling

91: Pump deck

91a: Bridge

91c: Motor deck

91d: Support rail

91e: Support rail

91f: Necessary number of screws

91g: Necessary number of washers

91h: Necessary number of lock washers

Step 1: Find the motor frame size on the motor nameplate.

CAT.NO.	EM25254T-4	SPEC NO.	P44G1775
HP	250	AMPS	275
VOLTS	460	DESIGN	B
FRAME	447T	RPM	1785
HZ	60	AMB	40
SF	1.15	PHASE	3
DRIVE END BEARING	90BC03330X	DUTY	CONT
INSUL.CLASS	F	OPP D.E. BEARING	90BC03330X
TYPE	P	ENCL	DP
CODE	G	SER.NO.	
POWER FACTOR	88	NEMA-NOM-EFFICIENCY	96.2
MAX CORR KVAR	40.0	GUARANTEED EFFICIENCY	95.8
NEMA NOM/CSA QUOTED EFF			
MOTOR WEIGHT	2015		

TM086550

Step 2: Use the pump size and the motor frame size to find the base frame code.

Pump size	143T	145T	182T	184T	213T	215T	254T	256T	284T	284TS	286T	286TS	324T	324TS
012-070-2P		A3	A4	A4	A5	A5	H4							
012-070-4P	A1	A1												
015-070-2P			A4	A4	A5	A5	H5	H5						
015-070-4P	A1	A1	A2											
015-090-2P						B5	B6	B6		B7		B7		J7
015-090-4P		B2	B3	B3										
015-095-2P						B5	B6	B6		B7		B7		J7
015-095-4P		B2	B3	B3	B4									
020-095-2P						B5	B6	B6		B7		B7		J7
020-095-4P		B2	B3	B3	B4									
020-110			B3	B3	B4	B4	B8							
020-135					C5	C5	C6	C6	C7					
025-070-2P				H3	H3	H3	H6	H6		B1		B1		
025-070-4P	H1	H1	H2	H2										
025-095-2P								D13		D14		D14		D15
025-095-4P		D1	D2	D2	D3	D3								
025-110				J8	J8	J8	J9							
030-070-2P						H3	H6	H6		B1		B1		J3
030-070-4P		H1	H2	H2										
030-095-2P												D16		D17
030-095-4P			D4	D4	D5	D5	D6							
030-110					D19	D19	D20	D20						
030-135						D24	D25	D25	D25		D25		D25	D26

Pump size	143T	145T	182T	184T	213T	215T	254T	256T	284T	284TS	286T	286TS	324T	324TS
040-070-2P							C3	C3		C4		C4		J4
040-070-4P	C1	C1	C2	C2	C2									
040-095-2P														
040-095-4P				D7	D8	D9	D10	D10						
040-110					D21	D21	D22	D22	D23		D23			
040-135						D24	D25	D25	D25		D25		D26	
040-150									E11		E11		E12	
050-070-2P							J5	J5		J5		J5		J6
050-070-4P	J1	J1	J2	J2	J2	J2								
050-095					D11	D11	D12	D12	D12		D12			
050-110						D24	D25	D25	D25		D25		D26	
050-135								E10	E11		E11		E12	
050-150													E15	
060-095						E2	E3	E3	E4		E4		E5	
060-110							E10	E10	E11		E11		E12	
060-135								F2	F3		F3		F4	
060-150														
080-135									G1		G1		G2	
080-150														
100-150														

Pump size	326T	326TS	364T	364TS	365T	365TS	404T	404TS	405T	405TS	444T	444TS	445T	445TS	447T
012-070-2P															
012-070-4P															
015-070-2P															
015-070-4P															
015-090-2P															
015-090-4P															
015-095-2P		J7													
015-095-4P															
020-095-2P		J7		E6											
020-095-4P															
020-110															
020-135															
025-070-2P															
025-070-4P															
025-095-2P		D15		E7		E7									
025-095-4P															
025-110															
030-070-2P															
030-070-4P															
030-095-2P		D17		E8		E8		E9		E9		F1			
030-095-4P															
030-110															
030-135															
040-070-2P		J4													
040-070-4P															
040-095-2P		D18		E8		E8		E9		E9		F1		F1	
040-095-4P															
040-110															
040-135	D26														
040-150	E12		E13		E13		E14		E14		F8		F8		
050-070-2P		J6		E1		E1									

Pump size	326T	326TS	364T	364TS	365T	365TS	404T	404TS	405T	405TS	444T	444TS	445T	445TS	447T
050-070-4P															
050-095															
050-110															
050-135	E12		E13		E13										
050-150	E15		E16		E16		E14		E14		F9		F9		F9
060-095															
060-110	E12		E13												
060-135	F4		F5		F5		F6		F7		F8				
060-150			F10		F10		F11		F11		F12		F12		F13
080-135	G2		G3		G3		G4		G5		G6		G6		G6
080-150			G7		G8		G9		G9		G10		G10		G14
100-150					G11		G12		G12		G13		G13		G15

Step 3: Use the base frame code to find the needed base frame.

Base frame code	Kit PN
A1	93039110
A2	93039111
A3	93039112
A4	93039113
A5	93039114
H1	93039115
H2	93039116
H3	93039117
H4	93039118
H5	93039119
H6	93039130
B1	93039131
B2	93039132
B3	93039133
B4	93039134
B5	93039135
B6	93039136
B7	93039137
B8	93039138
C1	93039139
C2	93039140
C3	93039141
C4	93039142
C5	93039143
C6	93039144
C7	93039145
J1	93039146
J2	93039147
J3	93039148
J4	93039149
J5	93039150
J6	93039151
J7	93039152
J8	93039153
J9	93039154
D1	93039155
D2	93039156
D3	93039157

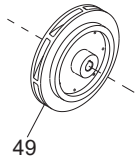
Base frame code	Kit PN
D4	93039158
D5	93039159
D6	93039160
D7	93039161
D8	93039162
D9	93039163
D10	93039164
D11	93039165
D12	93039166
D13	93039167
D14	93039168
D15	93039169
D16	93039170
D17	93039171
D18	93039172
D19	93039173
D20	93039174
D21	93039175
D22	93039176
D23	93039177
D24	93039178
D25	93039179
D26	93039180
E1	93039181
E2	93039182
E3	93039183
E4	93039184
E5	93039185
E6	93039186
E7	93039187
E8	93039188
E9	93039189
E10	93039190
E11	93039191
E12	93039192
E13	93039193
E14	93039194
E15	93039195

Base frame code	Kit PN
E16	93073290
F1	93039196
F2	93039197
F3	93039198
F4	93039199
F5	93039200
F6	93039201
F7	93039202
F8	93039203
F9	93039204
F10	93039205
F11	93039206
F12	93039207
F13	93039208
G1	93039209
G2	93039210
G3	93039211
G4	93039212
G5	93039213
G6	93039214
G7	93039215
G8	93039216
G9	93039217
G10	93039218
G11	93039219
G12	93039220
G13	93039221
G14	93039222
G15	93039223

Kit - Base frame, spacer coupling

Kit, base frames for spacer couplings will be created on request. Contact local Grundfos Customer Service Unit for support and ordering.

Spare - Impeller



TM078777

Spare - Impeller

49: Impeller

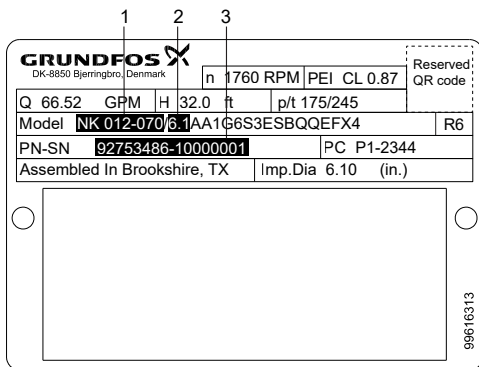
IMPORTANT! When ordering a spare impeller and the required trim falls between one of those mentioned in the overview, please inform Grundfos about the following nameplate data:

- pump type and size (pos.1)
- actual impeller trim, as indicated after the pump size (pos.2)
- product number and production serial number (PN-SN) (pos.3).

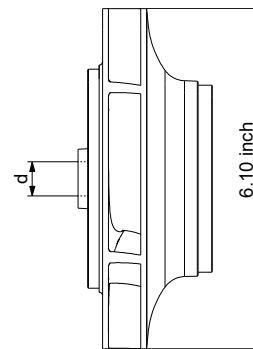
See the nameplate and impeller examples below.

This enables Grundfos to produce an exact match of the installed impeller.

Cylindrical trim impeller

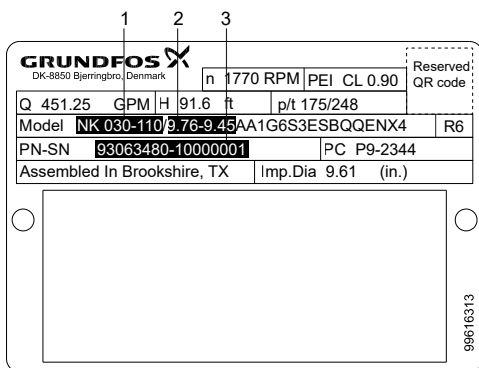


TM086355

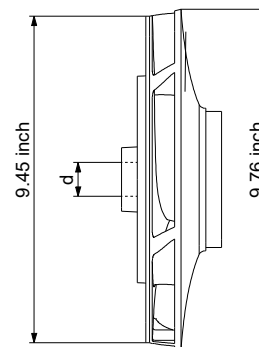


TM086357

Angle trim impeller



TM086356



TM086358

Pump size	Pole	Actual impeller trim [inch]	P2 [hp]	Pump material code			Impeller bore, d [mm]	
				S3, S4, S5, SB, SC, SD, SI, SK	S8, S9, SG, SH, SJ, SL	T2, T3, TA, TB		
				Impeller material				
				304 (1.4308)	316 (1.4408)	904 (1.4517)		
012-070	2	6.97	15	92526547	92526564	92553810	15	
		6.42	15	92600196	92600198	92600200	15	
		6.10	10	92526549	92526566	92553812	15	
		5.87	7.5	92526548	92526565	92553811	15	
		5.71	7.5	92526560	92526567	92553813	15	
		4.92	5	92600195	92600197	92600199	15	
	4	4.29	3	92526561	92526568	92553814	15	
		6.97	1.5	92526547	92526564	92553810	15	
		6.10	1	92526549	92526566	92553812	15	
		5.55	1	92526562	92526570	92553815	15	
		5.00	1	92526563	92526571	92553815	15	
		6.93	20	92526572	92526584	92553817	22	
015-070	2	6.30	15	92526573	92526585	92553818	22	
		5.59	10	92526574	92526586	92553819	22	
		5.04	7.5	92526576	92526587	92553820	22	
		4.49	5	92526577	92526588	92553821	22	
		6.93	3	92526578	92526590	92553822	15	
		6.54	2	92526579	92526591	92553823	15	
	4	5.91	1.5	92526580	92526592	92553824	15	
		5.12	1	92526581	92526593	92553825	15	
		4.65	1	92526582	92526594	92553826	15	
		9.84	40	92526596	92526606	92553827	22	
		8.82	30	92526597	92526608	92553828	22	
		8.27	25	92526598	92526609	92553829	22	
015-090	2	7.80	20	92526599	92526610	92553830	22	
		7.09	15	92526600	92526611	92553831	22	
		9.84	5	92526602	92526612	92553832	22	
		8.11	3	92526603	92526613	92553833	22	
		7.24	2	92526604	92526614	92553834	22	
		6.69	1.5	92526605	92526615	92553835	22	
	015-095	2	9.69	50	92526616	92526626	92553836	22
			8.82	40	92526617	92526627	92553837	22
			7.87	30	92526618	92526628	92553838	22
			7.48	25	92526619	92526629	92553839	22
			7.01	20	92526620	92526630	92553840	22
			6.46	15	92526621	92526631	92553841	22
4		9.84	7.5	92526622	92526632	92553842	22	
		8.82	5	92526623	92526633	92553843	22	
		7.32	3	92526624	92526634	92553844	22	
		6.54	2	92526625	92526635	92553845	22	

Pump size	Pole	Actual impeller trim [inch]	P2 [hp]	Pump material code			Impeller bore, d [mm]		
				S3, S4, S5, SB, SC, SD, SI, SK	S8, S9, SG, SH, SJ, SL	T2, T3, TA, TB			
				Impeller material					
				304 (1.4308)	316 (1.4408)	904 (1.4517)			
020-095	2	9.45	60	92526636	92526648	92553846	30		
		8.90	60	92526637	92526649	92553847	30		
		8.58	50	92526638	92526650	92553848	30		
		8.03	40	92526639	92526651	92553849	30		
		7.17	30	92526640	92526652	92553850	30		
		6.77	25	92526641	92526653	92553851	30		
		6.30	20	92526642	92526654	92553852	30		
	5.75	15	92526643	92526655	92553853	30			
	4	9.45	7.5	92526644	92526656	92553854	22		
		8.11	5	92526645	92526657	92553855	22		
		6.61	3	92526646	92526658	92553856	22		
		5.83	2	92526647	92526659	92553857	22		
		020-110	4	10.31	15	92526660	92526664	92553858	22
				9.92	10	92526661	92526665	92553859	22
8.98				7.5	92526662	92526666	92553860	22	
8.11	5			92526663	92526667	92553861	22		
020-135	4	13.39-13.23	25	92526668	92526673	92553884	30		
		12.52	20	92526669	92526674	92553885	30		
		11.42	15	92526670	92526675	92553886	30		
		10.16	10	92526671	92526676	92553887	30		
		9.29	7.5	92526672	92526677	92553888	30		
025-070	2	6.77	30	92526678	92526689	92553889	22		
		6.61	25	92526679	92526690	92553890	22		
		6.30	20	92526680	92526691	92553891	22		
		5.67	15	92526681	92526692	92553892	22		
		4.96	10	92526682	92526693	92553893	22		
	4.57	7.5	92526683	92526694	92553895	22			
	4	6.77	5	92526684	92526695	92553896	16		
		6.61	3	92526685	92526696	92553897	16		
		5.83	2	92526686	92526697	92553898	16		
		5.28	1.5	92526687	92526698	92553899	16		
4.65		1	92526688	92526699	92553900	16			
025-095	2	9.53	75	92526700	92526714	92553901	30		
		9.37	75	92526701	92526715	92553902	30		
		8.43	60	92526702	92526716	92553903	30		
		7.80	50	92526703	92526717	92553904	30		
		7.17	40	92526709	92526723	92553910	30		
		6.30	30	92526705	92526719	92553906	30		
		5.98	25	92526706	92526720	92553907	30		
	4	9.53	10	92526707	92526721	92553908	22		
		8.43	7.5	92526708	92526722	92553909	22		
		7.17	5	92526709	92526723	92553910	22		
		5.98	3	92526710	92526724	92553911	22		
		6	9.53	3	92526707	92526721	92553908	22	
			8.19	2	92526711	92526725	92553912	22	
			7.17	1.5	92526709	92526723	92553910	22	
		6.06	1	92526713	92526727	92553914	22		

Pump size	Pole	Actual impeller trim [inch]	P2 [hp]	Pump material code			Impeller bore, d [mm]
				S3, S4, S5, SB, SC, SD, SI, SK	S8, S9, SG, SH, SJ, SL	T2, T3, TA, TB	
				Impeller material			
				304 (1.4308)	316 (1.4408)	904 (1.4517)	
025-110	4	11.02	15	92526728	92526733	92553915	30
		9.45	10	92526729	92526734	92553916	30
		8.58	7.5	92526730	92526735	92553917	30
	6	11.02	5	92526728	92526733	92553915	30
		9.61	3	92526731	92526736	92553918	30
		8.43	2	92526732	92526737	92553919	30
030-070	2	6.85	40	92526738	92526747	92553920	22
		6.30	30	92526739	92526748	92553921	22
		5.83	25	92526740	92526749	92553922	22
		5.59	20	92526741	92526750	92553923	22
		5.04	15	92526742	92526751	92553925	22
	4	6.85	5	92526743	92526752	92553926	16
		5.83	3	92526744	92526753	92553927	16
		5.20	2	92526745	92526754	92553928	16
		4.72	1.5	92526746	92526755	92553929	16
		030-095	2	8.86	125	92526756	92526768
8.07	100			92526757	92526769	92553931	30
7.36	75			92526758	92526770	92553932	30
6.89	60			92526759	92526771	92553933	30
6.50	50			92526760	92526772	92553934	30
4	6.10		40	92526761	92526773	92553935	30
	8.86		15	92526762	92526774	92553936	22
	7.52		10	92526763	92526775	92553937	22
	6.73		7.5	92526764	92526776	92553938	22
	6.10		5	92526765	92526777	92553939	22
030-110	4	8.86	5	92526762	92526774	92553936	22
		7.52	3	92526763	92526775	92553937	22
		6.57	2	92526766	92526778	92553940	22
		6.02	1.5	92526767	92526779	92553941	22
		10.94-10.63	20	92526780	92526785	92553942	30
	6	9.76-9.45	15	92526781	92526786	92553943	30
		8.5-8.19	10	92526782	92526787	92553944	30
		10.94-10.63	7.5	92526780	92526785	92553942	30
		10.47-10.16	5	92526783	92526788	92553945	30
		8.58-8.27	3	92526784	92526789	92553946	30
030-135	4	12.91	40	92526800	92526807	92553947	30
		11.26	30	92526801	92526808	92553948	30
		10.63	25	92526802	92526809	92553949	30
		9.92	20	92526803	92526810	92553950	30
		8.98	15	92526804	92526811	92553951	30
	6	12.91	15	92526800	92526807	92553947	30
		11.73	10	92526805	92526812	92553952	30
		10.55	7.5	92526806	92526813	92553953	30
		8.98	5	92526804	92526811	92553951	30

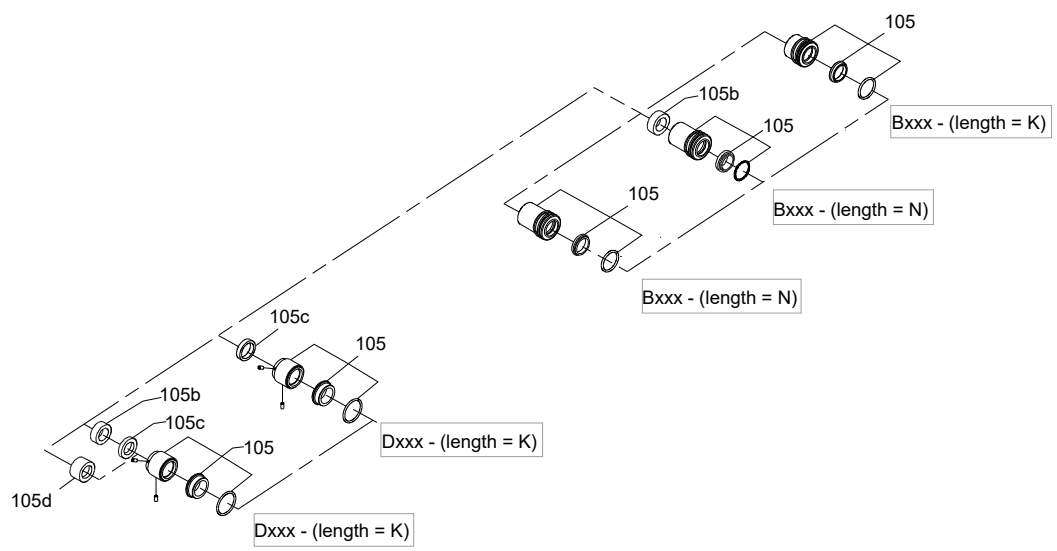
Pump size	Pole	Actual impeller trim [inch]	P2 [hp]	Pump material code			Impeller bore, d [mm]	
				S3, S4, S5, SB, SC, SD, SI, SK	S8, S9, SG, SH, SJ, SL	T2, T3, TA, TB		
				Impeller material				
			304 (1.4308)	316 (1.4408)	904 (1.4517)			
040-070	2	6.77	50	92526814	92526827	92553954	22	
		6.30	40	92526816	92526828	92553955	22	
		5.75	30	92526817	92526829	92553956	22	
		5.51	25	92526818	92526830	92553957	22	
		5.12	20	92526819	92526831	92553958	22	
	4	6.85	7.5	92526820	92526832	92553959	22	
		6.30	5	92526821	92526833	92553960	22	
		5.43	3	92526822	92526834	92553961	22	
		5.12-4.33	2	92526823	92526835	92553962	22	
	6	6.85	2	92526820	92526832	92553959	22	
		6.14	1.5	92526824	92526836	92553963	22	
		5.51	1	92526825	92526837	92553964	22	
		5.12-4.8	1	92526826	92526838	92553965	22	
	040-095	2	9.21	150	93073277	93073278	93073279	30
			8.35	125	92526839	92526849	92553966	30
7.72			100	92526840	92526860	92553967	30	
6.93			75	92526841	92526861	92553968	30	
6.46			60	92526842	92526862	92553969	30	
4		9.37	20	92526843	92526863	92553980	22	
		8.35	15	92526844	92526864	92553981	22	
		7.09	10	92526845	92526865	92553982	22	
		6.38	7.5	92526846	92526866	92553983	22	
6		9.37	7.5	92526843	92526863	92553980	22	
		8.98	5	92526847	92526867	92553984	22	
		7.09	3	92526845	92526865	92553982	22	
040-110	4	6.30	2	92526848	92526868	92553985	22	
		10.08	30	92526869	92526876	92553986	30	
		9.45	25	92526870	92526877	92553987	30	
		8.74	20	92526871	92526878	92553988	30	
	6	8.11	15	92526872	92526879	92553989	30	
		10.08	10	92526869	92526876	92553986	30	
		9.37	7.5	92526873	92526880	92553990	30	
		8.35	5	92526874	92526881	92553991	30	
		7.17	3	92526875	92526882	92553992	30	
		12.83	50	92526883	92526892	92553993	30	
040-135	4	11.81	40	92526884	92526893	92553994	30	
		10.94	30	92526885	92526894	92553996	30	
		10.24	25	92526886	92526895	92553997	30	
		9.29	20	92526887	92526896	92553998	30	
	6	12.60	15	92526888	92526897	92553999	30	
		11.18	10	92526889	92526898	92554000	30	
		10.16	7.5	92526890	92526900	92554001	30	
		8.74	5	92526891	92526901	92554002	30	

Pump size	Pole	Actual impeller trim [inch]	P2 [hp]	Pump material code			Impeller bore, d [mm]
				S3, S4, S5, SB, SC, SD, SI, SK	S8, S9, SG, SH, SJ, SL	T2, T3, TA, TB	
				Impeller material			
				304 (1.4308)	316 (1.4408)	904 (1.4517)	
040-150	4	16.77	150	92526902	92526913	92554003	38
		16.06	125	92526903	92526914	92554004	38
		15.28	100	92526904	92526915	92554005	38
		14.02	75	92526905	92526916	92554006	38
		13.07	60	92526906	92526917	92554007	38
	6	12.36	50	92526907	92526918	92554008	38
		16.77	40	92526902	92526913	92554003	38
		15.35	30	92526909	92526920	92554010	38
		14.57	25	92526910	92526921	92554011	38
		13.46	20	92526911	92526922	92554012	38
050-070	2	12.36	15	92526907	92526918	92554008	38
		6.93	75	92526924	92526937	92554014	22
		6.77	60	92526925	92526938	92554015	22
		6.46	50	92526926	92526939	92554016	22
		6.06	40	92526927	92526940	92554017	22
	4	5.98-4.88	30	92526928	92526941	92554018	22
		5.59-4.49	25	92526935	92526948	92554025	22
		6.93	10	92526931	92526944	92554021	22
		6.61	7.5	92526932	92526945	92554022	22
		6.06	5	92526933	92526946	92554023	22
6	5.43-4.33	3	92526934	92526947	92554024	22	
	6.93	3	92526931	92526944	92554021	22	
	6.61	2	92526932	92526945	92554022	22	
	6.06	1.5	92526933	92526946	92554023	22	
	5.59-4.49	1	92526929	92526942	92554019	22	
050-095	4	5.28-4.17	1	92526936	92526949	92554026	22
		9.13	30	92526950	92542914	92554027	30
		8.74	25	92526951	92542915	92554028	30
		8.19	20	92526952	92542916	92554029	30
		7.40	15	92526953	92542917	92554030	30
	6	6.85-6.06	10	92542912	92542918	92554031	30
		9.13	10	92526950	92542914	92554027	30
		8.74	7.5	92526951	92542915	92554028	30
		7.72	5	92542913	92542919	92554032	30
		6.85-6.06	3	92542912	92542918	92554031	30
050-110	4	10.63	40	92542920	92542927	92554033	30
		9.61	30	92542921	92542928	92554034	30
		9.06	25	92542922	92542929	92554036	30
		8.35	20	92542923	92542930	92554037	30
		10.63	15	92542920	92542927	92554033	30
	6	10.00	10	92542924	92542931	92554038	30
		8.90	7.5	92542925	92542932	92554039	30
		8.11	5	92542926	92542933	92554040	30
		13.11-12.95	75	92542934	92542943	92554041	38
		12.01	60	92542935	92542944	92554042	38
050-135	4	11.30	50	92542936	92542945	92554043	38
		10.59	40	92542937	92542946	92554044	38
		9.49	30	92542938	92542947	92554045	38
		8.86	25	92542939	92542948	92554046	38
		12.48	20	92542940	92542949	92554047	38
	6	11.30	15	92542936	92542945	92554043	38
		9.80	10	92542942	92542951	92554049	38

Pump size	Pole	Actual impeller trim [inch]	P2 [hp]	Pump material code			Impeller bore, d [mm]
				S3, S4, S5, SB, SC, SD, SI, SK	S8, S9, SG, SH, SJ, SL	T2, T3, TA, TB	
				Impeller material			
			304 (1.4308)	316 (1.4408)	904 (1.4517)		
050-150	4	16.14	200	92542956	92542965	92554054	38
		14.96	150	92542952	92542961	92554050	38
		14.09	125	92542953	92542962	92554051	38
		12.99	100	92542954	92542963	92554052	38
		11.73	75	92542955	92542964	92554053	38
	6	16.14	60	92542956	92542965	92554054	38
		15.59	50	92542957	92542966	92554055	38
		14.49	40	92542958	92542967	92554056	38
		13.15	30	92542959	92542968	92554057	38
		12.28	25	92542960	92542969	92554058	38
060-095	4	9.53	40	92542970	92542978	92554059	30
		8.90	30	92542971	92542979	92554060	30
		8.43	25	92542972	92542980	92554061	30
		7.95	20	92542973	92542981	92554062	30
	6	7.32	15	92542974	92542982	92554063	30
		9.53	15	92542970	92542978	92554059	30
		9.21	10	92542975	92542983	92554064	30
		8.35	7.5	92542976	92542984	92554065	30
		7.56	5	92542977	92542985	92554066	30
		10.75	60	92542986	92542992	92554067	38
060-110	4	10.20	50	92542987	92542993	92554068	38
		9.57	40	92542988	92542994	92554069	38
		8.78	30	92542989	92542995	92554070	38
	6	10.75	20	92542986	92542992	92554067	38
		10.20	15	92542987	92542993	92554068	38
		9.17	10	92542990	92542996	92554071	38
		8.39	7.5	92542991	92542997	92554072	38
		12.91-12.76	125	92542998	92543009	92554073	38
060-135	4	12.24	100	92542999	92543010	92554074	38
		11.22	75	92543000	92543011	92554075	38
		10.35	60	92543001	92543012	92554076	38
		9.96	50	92543002	92543013	92554077	38
		9.25	40	92543003	92543014	92554078	38
	6	12.48-12.32	30	92543004	92543015	92554079	38
		11.54	25	92543005	92543016	92554080	38
		10.75	20	92543006	92543017	92554081	38
		9.80	15	92543007	92543018	92554082	38
		8.70	10	92543008	92543019	92554083	38
060-150	4	15.83	250	92543020	92543028	92554084	44
		14.80	200	92543021	92543029	92554085	44
		12.83	150	92543022	92543030	92554086	44
		11.97	125	92543023	92543031	92554087	44
	6	16.93	100	92543024	92543032	92554088	44
		16.06	75	92557190	92557191	92557192	44
		14.88	60	92543025	92543033	92554089	44
		13.70	50	92543026	92543034	92554090	44
12.44	40	92543027	92543035	92554091	44		

Pump size	Pole	Actual impeller trim [inch]	P2 [hp]	Pump material code			Impeller bore, d [mm]
				S3, S4, S5, SB, SC, SD, SI, SK	S8, S9, SG, SH, SJ, SL	T2, T3, TA, TB	
				Impeller material			
			304 (1.4308)	316 (1.4408)	904 (1.4517)		
080-135	4	13.42	200	92995001	92995267	92995553	38
		12.60	150	92543036	92543046	92554092	38
		11.89	125	92543037	92543047	92554093	38
		11.26	100	92543038	92543048	92554094	38
		10.31	75	92543039	92543049	92554095	38
		9.84	60	92543040	92543050	92554096	38
		13.15	50	92543041	92543051	92554097	38
	6	12.28	40	92543042	92543052	92554098	38
		11.26	30	92543038	92543048	92554094	38
		10.79	25	92543043	92543053	92554099	38
		10.16	20	92543044	92543054	92554100	38
		9.29	15	92543045	92543055	92554101	38
		15.59	250	92543056	92543062	92554102	44
		14.25	200	92543057	92543063	92554103	44
080-150	4	12.99	150	92543058	92543064	92554104	44
		12.20	125	92543059	92543065	92554105	44
		15.59	75	92543056	92543062	92554102	44
	6	14.25	60	92543057	92543063	92554103	44
		13.46	50	92543060	92543066	92554106	44
		12.60	40	92543061	92543067	92554107	44
		14.76	250	92543068	92543075	92554108	44
100-150	4	13.66	200	92543069	92543076	92554109	44
		12.48	150	92543070	92543077	92554110	44
		16.34	100	92543071	92543078	92554111	44
	6	14.92	75	92543072	92543079	92554112	44
		13.82	60	92543073	92543080	92554113	44
		12.95	50	92543074	92543081	92554114	44

Spare/bulk - Shaft seal and seal spacer



TM083038

Spare - Shaft seal
105: Shaft seal
Bulk - Shaft seal
105: 5 x Shaft seal
Spare - Spacer
105b/105c/105d: Spacer

Installation length			
Types Bxxx			Types Dxxx
"X" ('Xtra short')	"K" ('short')	"N" ('normal')	"K" ('short')

Step 1: Find the pump size and note the seal inner diameter and the spacer code - if there is one.

Pump size	Seal inner dia. [mm]	Spacer code	
		Bxxx seals	Dxxx seals
012-070-2P	20	-	-
012-070-4P	20	-	-
015-070-2P	28	-	B
015-070-4P	20	-	-
015-090-2P	28	-	B
015-090-4P	28	-	B
015-095-2P	28	-	B
015-095-4P	28	-	B
020-095-2P	38	-	C
020-095-4P	28	-	B
020-110	28	-	B
020-135	38	-	G
025-070-2P	28	-	B
025-070-4P	20	-	-
025-095-2P	38	-	C
025-095-4P	28	-	B
025-110	38	-	G
030-070-2P	28	-	B
030-070-4P	20	-	-
030-095-2P	38	-	C
030-095-4P	28	-	B
030-110	38	H	G
030-135	38	H	G
040-070-2P	28	-	B
040-070-4P	28	-	B
040-095-2P	38	-	C
040-095-4P	28	-	B
040-110	38	H	G
040-135	38	H	G
040-150	48	-	D
050-070-2P	28	-	B
050-070-4P	28	-	B
050-095	38	-	C
050-110	38	H	G
050-135	48	-	D
050-150	48	-	D
060-095	38	-	C
060-110	48	-	D
060-135	48	-	D
060-150	55	-	E
080-135	48	-	D
080-150	55	-	E
100-150	55	-	E

Step 2: Use the seal inner dia. [mm] and the standard shaft seal types to find the needed spare/bulk.

GRUNDFOS DK-8850 Bjerringbro, Denmark		n 1760 RPM	PEI CL 0.87	Reserved QR code
Q 66.52	GPM	H 32.0	ft	p/t 75/245
Model NK 012-070/6.1AA1G6S3ESBQQEFX4				R6

Shaft seal type

Standard shaft seal types

Material	Seal inner dia. [mm]	BQQE ¹⁴⁾						BQQV					
		Spare (1 pcs)			Bulk (5 pcs)			Spare (1 pcs)			Bulk (5 pcs)		
		X	K	N	X	K	N	X	K	N	X	K	N
GG	20	-	92728673	-	-	92728680	-	-	92728674	-	-	92728681	-
GG	28	-	-	98434904	-	-	99380916	-	-	98434905	-	-	92514269
GG	38	-	-	98434906	-	-	92514302	-	-	98434908	-	-	92514301
GG	48	-	-	98434909	-	-	92514334	-	-	98434941	-	-	92514333
GG	55	-	-	98434943	-	-	92514388	-	-	98434944	-	-	92514387

¹⁴⁾ These seals are also NSF approved

Material	Seal inner dia. [mm]	DAQF						DQQE						DQQE-NSF					
		Spare (1 pcs)			Bulk (5 pcs)			Spare (1 pcs)			Bulk (5 pcs)			Spare (1 pcs)			Bulk (5 pcs)		
		X	K	N	X	K	N	X	K	N	X	K	N	X	K	N	X	K	N
GG	20	-	92728677	-	-	92728684	-	-	92728676	-	-	92728683	-	-	92728678	-	-	92728685	-
GG	28	-	96548355	-	-	92514233	-	-	97769895	-	-	92514258	-	-	92526474	-	-	92526491	-
GG	38	-	96548359	-	-	92514274	-	-	97769897	-	-	92514291	-	-	92526475	-	-	92526492	-
GG	48	-	96658796	-	-	92514307	-	-	97685509	-	-	92514323	-	-	92526477	-	-	92526494	-
GG	55	-	96658807	-	-	92514335	-	-	97685596	-	-	92514356	-	-	92526479	-	-	92526495	-

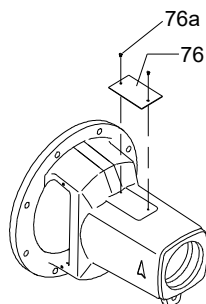
Variants shaft seal types

Contact Grundfos for further information about delivery.

Material	Seal inner dia. [mm]	BAQE						BQQV for PWIS free						BBQE					
		Spare (1 pcs)			Bulk (5 pcs)			Spare (1 pcs)			Bulk (5 pcs)			Spare (1 pcs)			Bulk (5 pcs)		
		X	K	N	X	K	N	X	K	N	X	K	N	X	K	N	X	K	N
GG	20	-	-	-	-	-	-	-	-	-	-	-	-	-	-	-	-	-	-
GG	28	-	-	96488302	-	-	99380919	-	-	98670789	-	-	92514266	-	-	96551963	-	-	92514262
GG	38	-	-	96537605	-	-	99615415	-	-	98670790	-	-	92514298	-	-	96551928	-	-	92514294
GG	48	-	-	96306472	-	-	99615417	-	-	98670801	-	-	92514330	-	-	96658794	-	-	92514328
GG	55	-	-	96306475	-	-	99707259	-	-	98670802	-	-	92514381	-	-	96658804	-	-	92514380

Material	Seal inner dia. [mm]	BBQV						BQBE						DQQK					
		Spare (1 pcs)			Bulk (5 pcs)			Spare (1 pcs)			Bulk (5 pcs)			Spare (1 pcs)			Bulk (5 pcs)		
		X	K	N	X	K	N	X	K	N	X	K	N	X	K	N	X	K	N
GG	20	-	-	-	-	-	-	-	-	-	-	-	-	-	-	-	-	-	-
GG	28	-	-	97769885	-	-	92514267	-	-	96548351	-	-	-	-	97769911	-	-	92514260	-
GG	38	-	-	97769887	-	-	92514299	-	-	96548356	-	-	-	-	97769913	-	-	92514287	-
GG	48	-	-	97769889	-	-	92514331	-	-	-	-	-	-	97685516	-	-	92514315	-	
GG	55	-	-	97769893	-	-	92514382	-	-	-	-	-	-	97685608	-	-	92514344	-	

Pump nameplate



TM083031

Nameplate

76: Nameplate (72 x 50 mm)

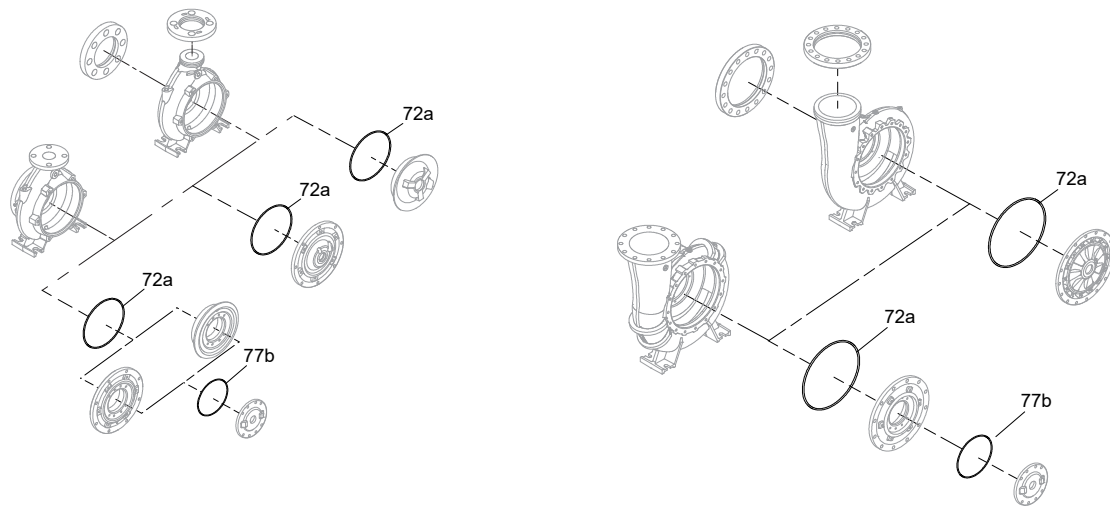
76a: 2 x Rivet

When you require to replace a nameplate, take a picture of the existing one and send this to Grundfos.

Based on this, it is normally possible to print a new copy.

If the pump holds certain approvals, it may be a mandatory requirement to ship the complete unit back to Grundfos to check the pump, and to print and install a new nameplate in Grundfos facilities. This is to maintain the approval. Therefore, information of the installed pump is needed.

Spare/bulk - O-rings



TM1040125

Spare - O-ring (cover-pump housing)

72a: 1 x O-ring

Bulk - O-ring (cover-pump housing)

72a: 5 x O-ring

Spare - O-ring (seal cover - cover)

77b: 1 x O-ring

Bulk - O-ring (seal cover - cover)

77b: 5 x O-ring

Step 1: Find the pump size and note O-ring codes for Pos. 72a and 77b.

Pump size	Pos. 72a	Pos. 77b	Pump size	Pos. 72a	Pos. 77b
	O-ring code			O-ring code	
012-070-2P	B	A	030-135	E	A
012-070-4P	B	A	040-070-2P	B	A
015-070-2P	B	A	040-070-4P	B	A
015-070-4P	B	A	040-095-2P	A	A
015-090-2P	C	A	040-095-4P	A	A
015-090-4P	C	A	040-110	D	A
015-095-2P	C	A	040-135	E	A
015-095-4P	C	A	040-150	F	B
020-095-2P	C	A	050-070-2P	B	A
020-095-4P	E	A	050-070-4P	B	A

Pump size	Pos. 72a	Pos. 77b	Pump size	Pos. 72a	Pos. 77b
	O-ring code			O-ring code	
020-110	C	A	050-095	A	A
020-135	C	A	050-110	D	A
025-070-2P	B	A	050-135	E	B
025-070-4P	B	A	050-150	F	B
025-095-2P	A	A	060-095	A	A
025-095-4P	A	A	060-110	D	B
025-110	D	A	060-135	E	B
030-070-2P	B	A	060-150	F	B
030-070-4P	B	A	080-135	E	B
030-095-2P	A	A	080-150	F	B
030-095-4P	A	A	100-150	F	B
030-110	D	A			

Step 2: Use the O-ring code and check the O-ring material in the pump to find the needed spare.

GRUNDFOS DK-8850 Bjerringbro, Denmark		n 1760	3 RPM	PEI	CL 0.87	Reserved QR code
Q 66.52	GPM	H 32.0	ft	p/t 175/245		
Model NK 012-070/6.1AA1G6S3				SBQQEFX4		R6

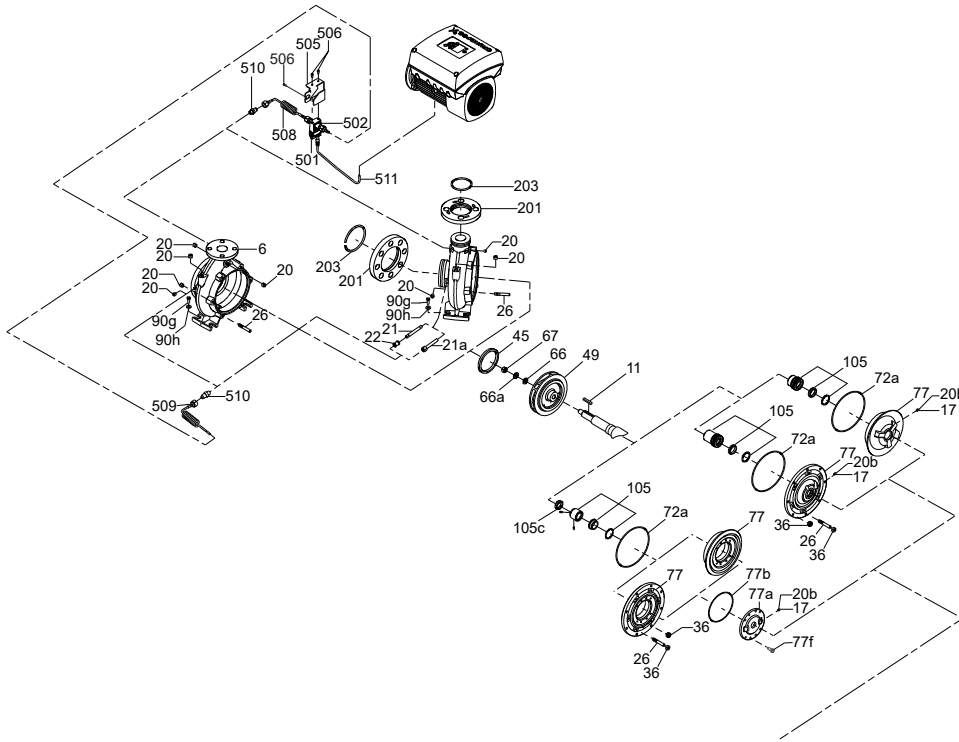
O-ring code

Pos 72a							
O-ring code	O-ring description	Spare (1 pcs)			Bulk (5 pcs)		
		Material			Material		
		E (EPDM)	E (EPDM-NSF)	V (Viton)	E (EPDM)	EPDM-NSF	V (Viton)
A	243 x 3.5	92526496	92526499	92526497	92526507	92526519	92526513
B	171.04 x 3.53	97757659	92526500	92526498	92526508	92526520	92526514
C	253.6 x 3.53	97757672	92526501	97757699	92526509	92526521	92526515
D	278.99 x 3.53	97757673	92526502	97757703	92526510	92526522	92526516
E	329.79 x 3.53	97757675	92526503	97757705	92526511	92526523	92526517
F	430.66 x 3.53	97757676	92526504	97757707	92526512	92526524	92526518

Pos 77b							
O-ring code	O-ring description	Spare (1 pcs)			Bulk (5 pcs)		
		Material			Material		
		E (EPDM)	E (EPDM-NSF)	V (Viton)	E (EPDM)	EPDM-NSF	V (Viton)
A	100 x 3.00	97761203	92526505	97761204	92526525	92526529	92526527
B	129.5 x 3.00	97757693	92526506	97757714	92526526	92526529	92526528

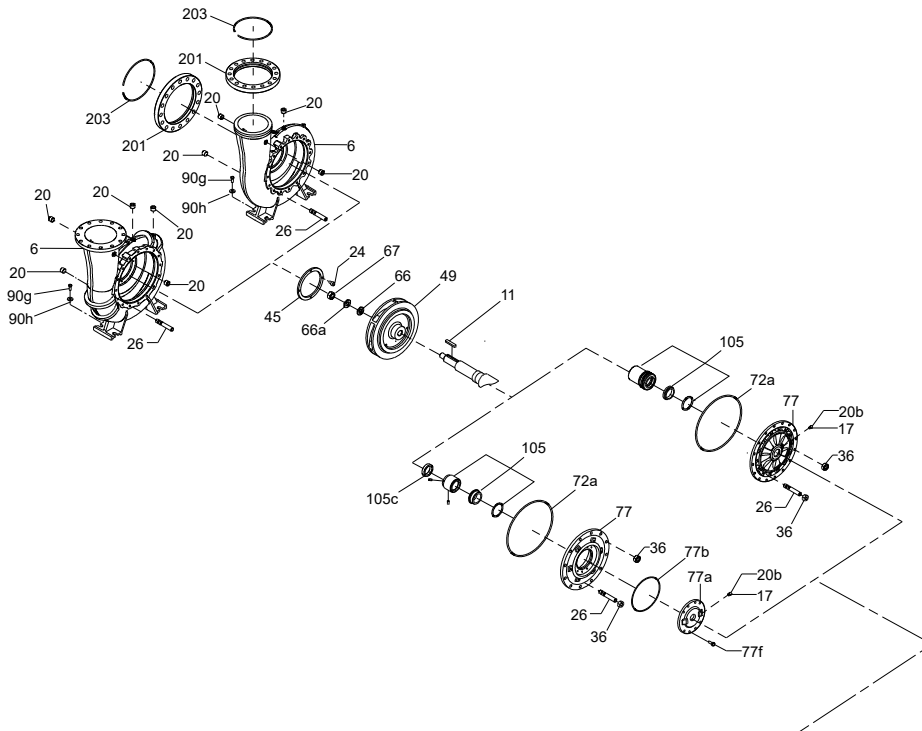
5. Exploded drawings

Center-line outlet, Range 6



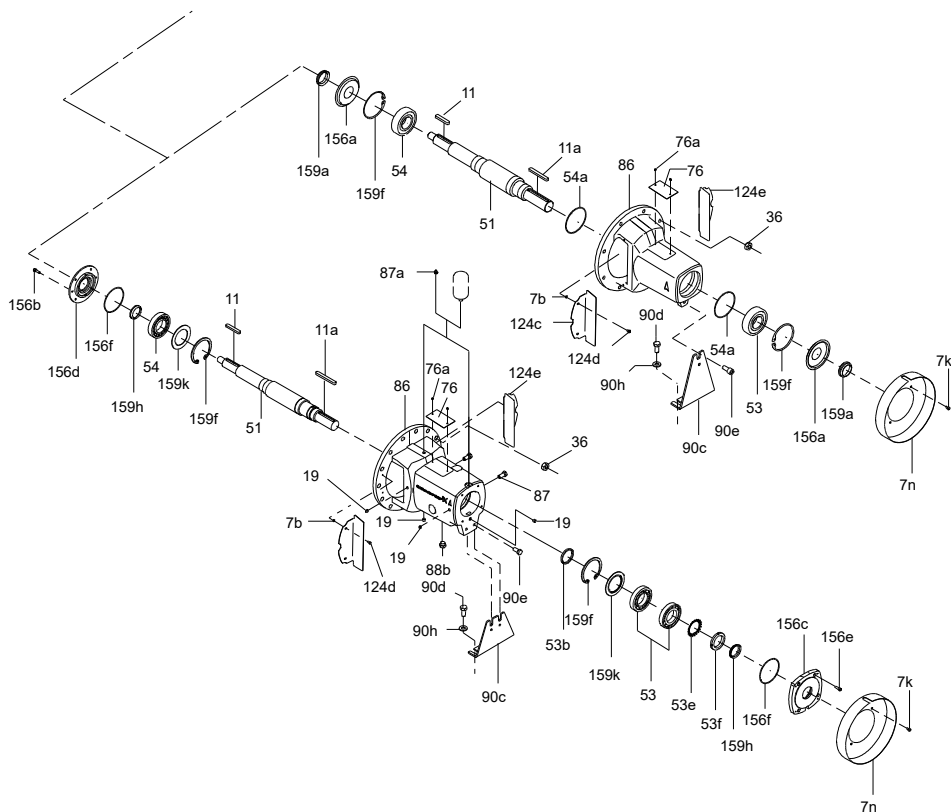
TM082179

Tangential outlet, Range 6



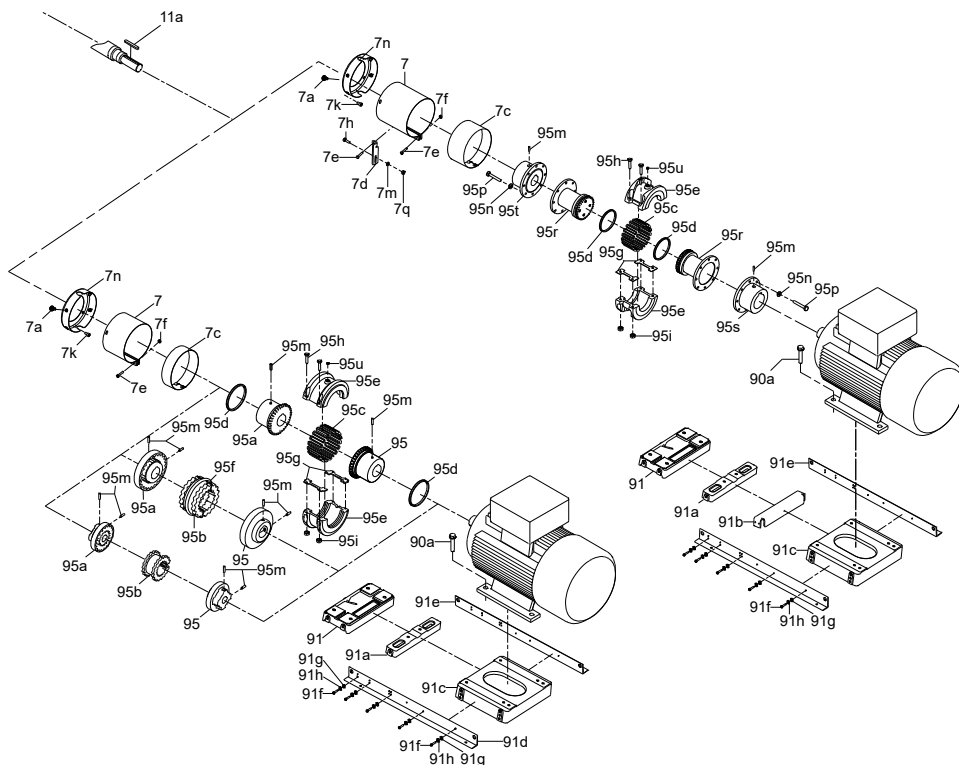
TM082180

Bearing brackets, Range 6



TM082104

Coupling, base frame and motor, Range 6



TM082105

92699988 03.2024

ECM: 1386580

GRUNDFOS Holding A/S
Poul Due Jensens Vej 7
DK-8850 Bjerringbro
Tel: +45 87 50 14 00
www.grundfos.com

GRUNDFOS 