



KOOLAIR PUMPS
 MANUFACTURER'S EDGE
 5044 INDUSTRIAL RD, SUITE C
 FARMINGDALE, NJ 07727
 P: 800-810-1053 E: INFO@KOOLAIR.COM

"RUN DRY PROTECTION TO KEEP YOU COOL"

MARINE COOLANT PUMPS

DESCRIPTION:

The SPM1000 is a magnetically driven pump with no shaft seal. The pump is epoxy encapsulated, which allows the SPM 1000 to run fully submerged in many liquids or in open air for complete moisture protection. The hardened Carbon bushing allows for extended run dry time without any damage to the pump head. See the parts diagram for assembly instructions. The impeller may be trimmed to modify flows or compensate for liquids of higher viscosity. For application assistance, please contact Koolair Pumps at 800-810-1053.

OPERATION:

The pump is not self-priming and requires flooded suction. The pump has run dry and thermal overload protection.

For application assistance contact Koolair Pump at: info@koolairpump.com

ELECTRICAL:

SPM1000 is 115 Volt. 1 Phase. The cord is 56" in length and are U.L. LISTED 18/3 wire. The motors are rated as continuous duty.

ISO 8846 MARINE IGNITION PROTECTED NMMA, USCG and SAE J1171:2016

LIMITED WARRANTY:

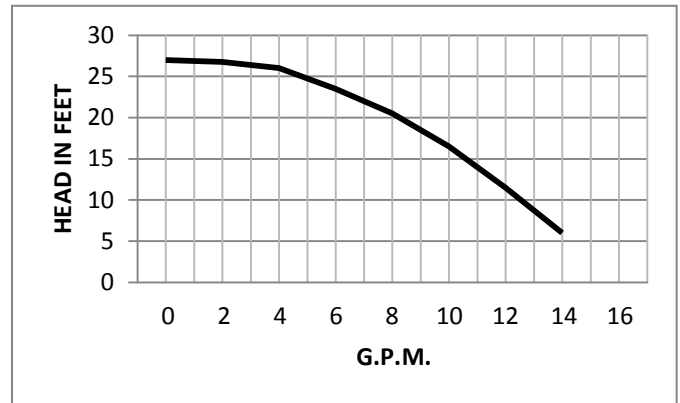
Koolair Pumps are guaranteed only against defects in workmanship or materials for a period of one year from date of manufacture while pumping water.

NOTES:

All Specifications and flow curves are based on pumping water.



SPM1000-115
SPM1000-230



MECHANICAL SPECIFICATIONS

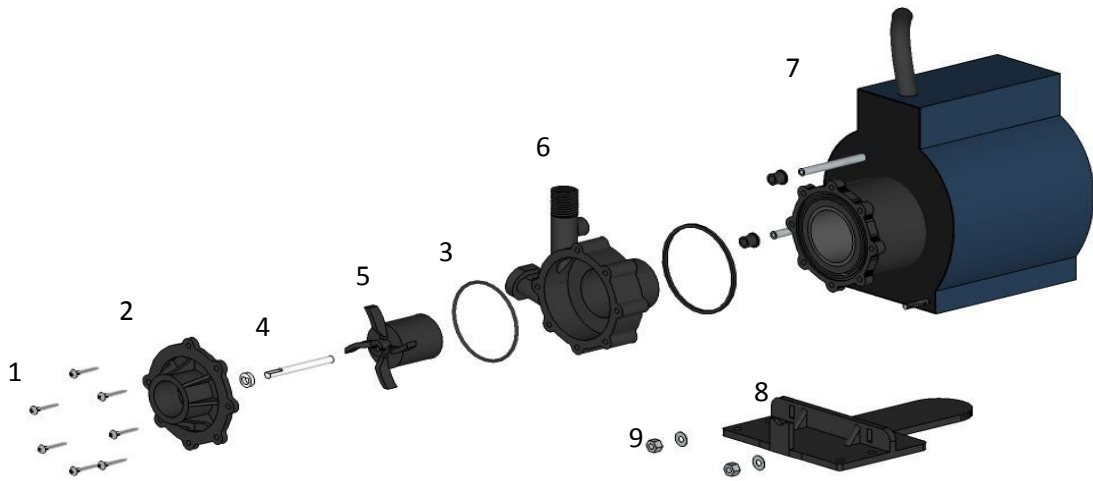
MODULE TYPE		60Hz / 50Hz
Max Flow	GPM	14.5
	LPM	54.8
Max Head	FT (PSI)	27 (11.7)
	M	6
Max Internal Pressure	PSI	25
	BAR	1.7
Max Liquid Temperature	°F	130
	°C	54
Packed Weight	LB	18
	KG	8.16
Inlet		1" FPT
Outlet		1/2" MPT

ELECTRICAL SPECIFICATIONS

MODULE TYPE		60Hz / 50Hz
Voltage		115/230 230
Phase		1 1
Watts		216/207 147
Amps		1.6/0.9 1.2
HP/ kW		1/8 0.093
RPM		3450 2850

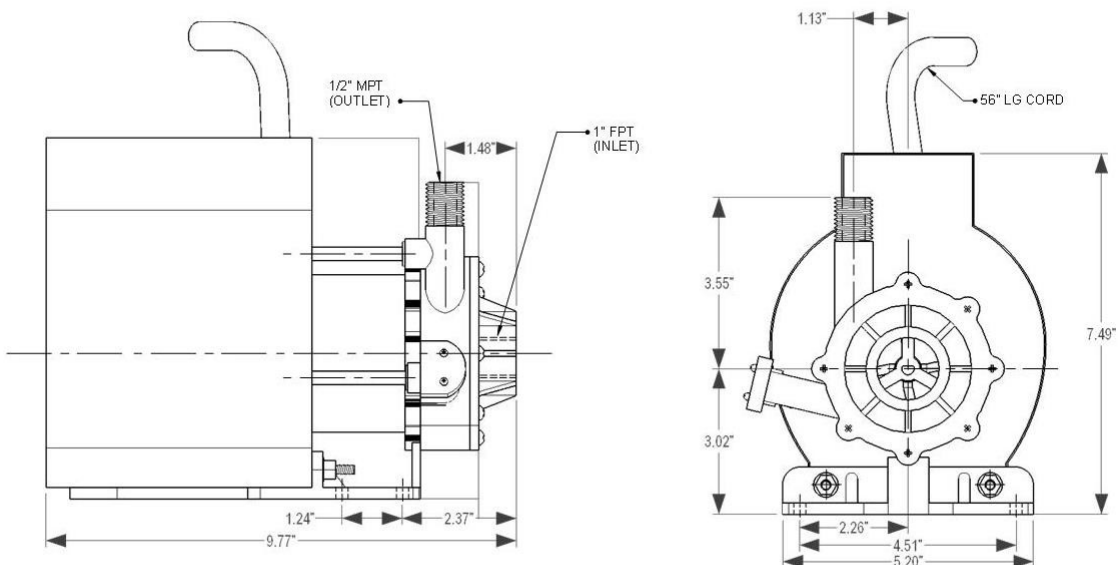
PUMP DIMENSIONS	INCHES	CENTIMETERS
Height	7.49	19.01
Width	5.74	14.57
Length	9.77	24.82

PARTS LIST



ITEM	PART NUMBER	DESCRIPTION	MATERIAL
1	KAT1000-21	Screw	Stainless Steel
2	KAT1000-22	Front Cover	Reinforced Nylon
3	KAT1000-23	O-Ring	Rubber
4	KAT1000-24	Washer & Shaft	Ceramic
5	KAT1000-25	Impeller	Carbon Bush & Reinforced Nylon
6	KAT1000-26	Rear Housing	Reinforced Nylon
7	KAT1000-27	Magnet, Bracket, and Motor	Magnet & Reinforced Nylon
8	KAT1000-28	Stand	Reinforced Nylon
9	KAT1000-29	Stand Washer & Nut	Stainless Steel

PUMP DRAWING



3D MODEL

You Must Download & Open PDF In Adobe Reader To Enable 3D View

Click on image and move your mouse to turn and rotate 3D model.
You can also zoom in and out using the scroll wheel on your mouse.