



MARCH PUMPS

1819 PICKWICK AVE., GLENVIEW, IL 60026-1306, U.S.A

AC-2CP-MD, AC-2AP-MD, BC-2CP-MD, BC-2AP-MD

DESCRIPTION:

Series 2 are centrifugal magnetic drive pumps, eliminating the need for a shaft seal. Pumps can be serviced with a screwdriver. See the parts list for a breakdown of parts. BC models have an encapsulated impeller magnet.

OPERATION:

Pumps are not self-priming, lack a suction lift, and thus require a **flooded suction**. Pumps **cannot be run dry** because the impeller requires the liquid being pumped for lubrication. For liquids with a specific gravity greater than water, have a higher viscosity, or for elevated temperatures, a trimmed impeller may be necessary. For application assistance, contact March Pump.

ELECTRICAL:

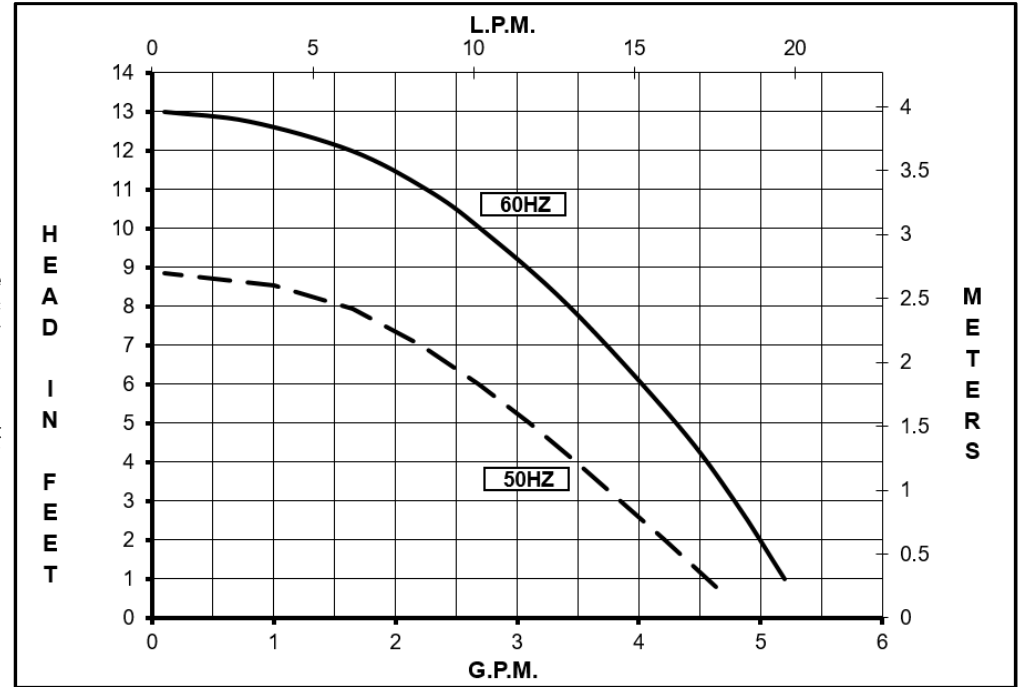
The AC-2CP-MD & AC-2AP-MD open air cooled motors as well as BC-2CP-MD & BC-2AP-MD blast cooled motors are available in different electrical configurations such as, 115V 50/60Hz, or 230V 50/60Hz, 1 phase.

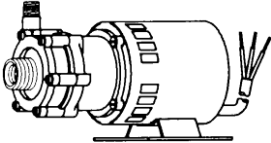
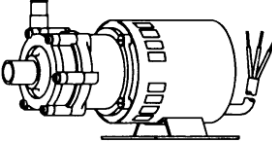
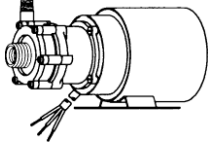
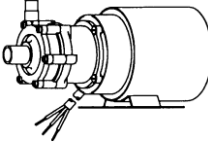
AC-2CP-MD & AC-2AP-MD have an air cooled motor with a 3 ft (0.9 m) cord.

BC-2CP-MD & BC-2AP-MD have a blast cooled motor with a 3 ft (0.9 m) cord.

All motors are U.L. listed and rated for continuous duty.

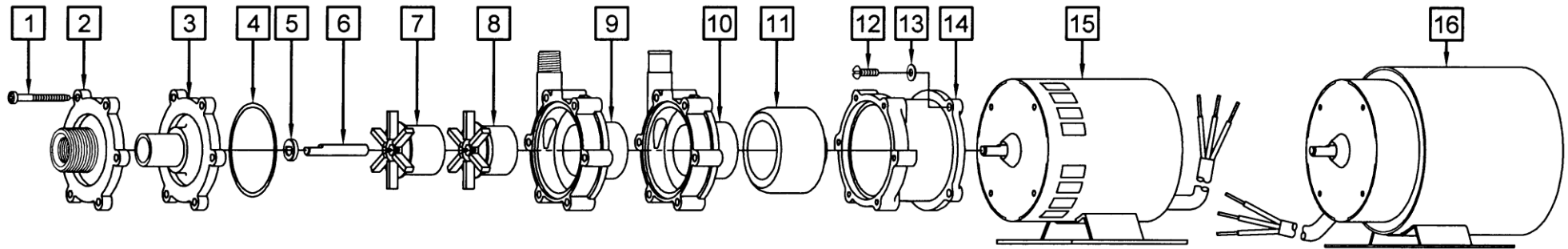
Model Abbreviations: CP: Threaded Ports, AP: Smooth Ports



SPECIFICATIONS		AC-2CP-MD											AC-2AP-MD											BC-2CP-MD											BC-2AP-MD										
																																													
Product #	115 V 230 V	0125-0069-0100 0125-0069-0300											0125-0069-0400 0125-0069-0500											0125-0088-0100 0125-0088-0200											0125-0088-0400 0125-0088-0500										
Inlet - Outlet		3/8" FPT & 3/4" MPT - 1/4" MPT											3/4" OD - 1/2" OD											3/8" FPT & 3/4" MPT - 1/4" MPT											3/4" OD - 1/2" OD										
Max Internal Pressure		50 psi (344 kPa)											50 psi (344 kPa)											50 psi (344 kPa)											50 psi (344 kPa)										
Max Liquid Temperature		190 °F (87 °C)											190 °F (87 °C)											190 °F (87 °C)											190 °F (87 °C)										
MODEL	60 Hz											50 Hz											Height		Width		Length		Packed Weight																
	Max Flow gpm lpm	Max Head ft psi m	ELECTRICAL									Max Flow gpm lpm	Max Head ft psi m	ELECTRICAL									Inches cm	Inches cm	Inches cm	Inches cm	lbs kg	lbs kg																	
AC-2CP-MD	5.0 18.9	13 5.7 4	1	115 1.2 230 0.6	1/40 0.019	3450	4.89 18.5	8.8 3.8 2.7	1	115 1.2 230 0.6	1/40 0.019	2850	4.5 11.4	3.5 8.8	7.39 18.7	4.20 1.90 4.25 1.92																													
AC-2AP-MD	5.0 18.9	13 5.7 4	1	115 1.2 230 0.6	1/40 0.019	3450	4.89 18.5	8.8 3.8 2.7	1	115 1.2 230 0.6	1/40 0.019	2850	4.5 11.4	3.5 8.8	7.77 19.7	4.20 1.90 4.25 1.92																													
BC-2CP-MD	5.0 18.9	13 5.7 4	1	115 1.2 230 0.5	1/40 0.019	3450	4.89 18.5	8.8 3.8 2.7	1	115 1.2 230 0.5	1/40 0.019	2850	4.56 11.5	3.91 9.9	8.36 21.2	6.20 2.81 6.25 2.83																													
BC-2AP-MD	5.0 18.9	13 5.7 4	1	115 1.2 230 0.5	1/40 0.019	3450	4.89 18.5	8.8 3.8 2.7	1	115 1.2 230 0.5	1/40 0.019	2850	4.56 11.5	3.91 9.9	8.73 22.1	6.20 2.81 6.25 2.83																													

All specifications & data are based on pumping water & are intended as a guideline only. Specifications may vary with different motors.

PARTS LIST



NOTE: When attaching the Drive Magnet to the motor shaft, position the face of the Drive Magnet 1/16 inch below the face of the Motor Bracket.

#	DESCRIPTION	MATERIAL	SIZE (Inches)	QTY.	AC-2CP-MD	AC-2AP-MD	BC-2CP-MD	BC-2AP-MD
1	Self-Tapping Screw	Stainless	#7-19 x 1-7/16 Lg.	6	0115-0062-1000			
2	Cover	Polypropylene	3/8 FPT x 3/4 MPT	1	0125-0056-1000		0125-0056-1000	
3	Cover	Polypropylene	3/4 OD Smooth	1		0125-0096-1000		0125-0096-1000
4A	"O" Ring	Viton	3/32 CS x 2-3/16 OD	1	0125-0065-1000			
4B		Buna N (Option)	3/32 CS x 2-3/16 OD	1	0125-0066-1000			
5	Thrust Washer	Ceramic		1	0130-0028-1000			
6A	Shaft	Ceramic		1	0125-0061-1000			
6B		Stainless (Option)		1	0125-0125-1000			
7	Impeller Encapsulated	Polypropylene		1	0125-0087-0200			
8	Impeller Bare Magnet	Polypropylene/Ceramic		1	0125-0055-0100			
9	Rear Housing	Polypropylene	1/4 MPT	1	0125-0058-1000		0125-0058-1000	
10	Rear Housing	Polypropylene	1/2 OD Smooth	1		1008-0001-1000		1008-0001-1000
11	Drive Magnet		0.250 Bore	1	0125-0083-0100			
12	Screw	Stainless	#8-32 x 1/2 Lg.	4	0150-0015-1000			
13	Washer	Stainless	#8	4	0858-0004-1000			
14	Motor Bracket	Plastic		1	0125-0069-1000			
15	Motor, 115 V, 50/60 Hz, Air Cooled			1	0125-0052-1000			
	Motor, 230 V, 50/60 Hz, Air Cooled			1	0125-0063-1000			
16	Motor, 115 V, 50/60 Hz, Blast Cooled			1	0125-0088-1000			
	Motor, 230 V, 50/60 Hz, Blast Cooled			1	0125-0089-1000			
W	Wet End Kit (1, 2, 4A, 5, 6A, 7 or 8, 9)			1	0125-0108-0200		0125-0109-0200	

MATERIALS IN CONTACT WITH SOLUTION

AC-2CP-MD & AC-2AP-MD: Polypropylene, Ceramic, Viton, Ceramic Magnet

BC-2CP-MD & BC-2AP-MD: Polypropylene, Ceramic, Viton

LIMITED WARRANTY:

March pumps are guaranteed only against defects in workmanship or materials for a period of one year from date of manufacture pumping water.

NOTE: Contact Factory for other materials and/or parts not listed.

0125-0076-1000 R26