

S1000 / SX1000 (MSHA)

10 HP ELECTRICAL SUBMERSIBLE PUMP FOR DIFFICULT OPERATING ENVIRONMENTS

- Robust design made from materials for demanding pump applications
- Strong Return On Investment (ROI) via extended product life and maintenance cycles
- Hydraulic options: High Head (HH) and High Volume (HV)
- Available with CSA or MSHA certification
- Made in the USA
- Proven performance in mines, quarries, coffer dams and construction sites

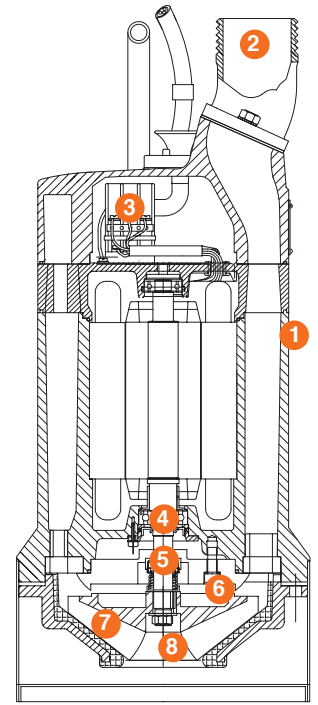
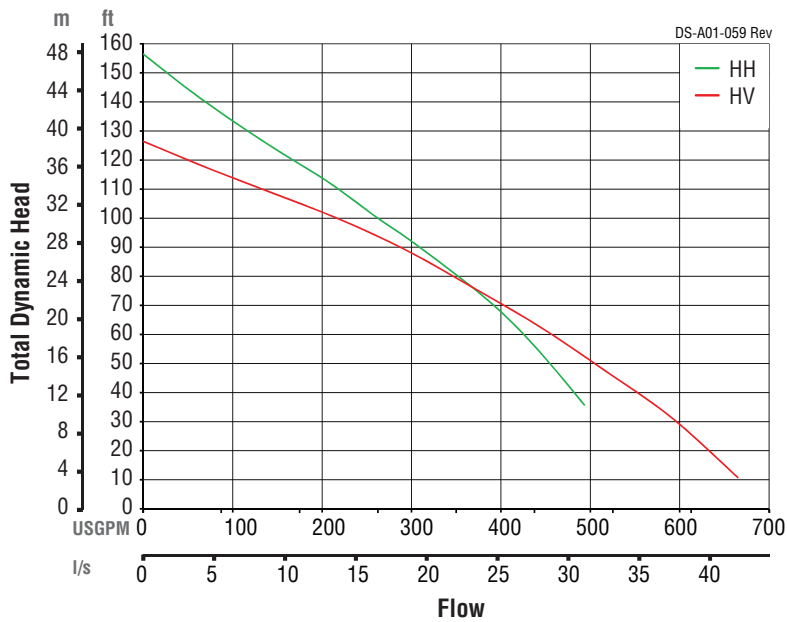


STANCOR™

Pump & Control Solutions

BUILDING TRADES | CONSTRUCTION | MINING | UTILITIES | WASTEWATER

PRODUCT FEATURES



Pump Construction

Type	Centrifugal, single stage, submersible
Discharge	4" NPT
Weight	124 lbs.
Height	29.81"
Diameter	11"

Motor Specifications

3 Phase	
Rating	10 HP
Voltage	208/230/460/575
FL Amps	39/35/17.5/14
RPM	3,450
Rotor shaft	400 series stainless steel
Cable	
208/230V	50' 8/3 G-GC
460/575V	50' 12/4 SOOW
MSHA	50' 10/5 RC

- 1 Housing:** heavy duty cast aluminum 356 T6 for durability
- 2 NPT discharge connection:** made from stainless steel to increase life
- 3 Thermal protection:** overloads in the stator provide automatic reset
- 4 Bearings:** sealed and lubricated for life to minimize maintenance
- 5 Mechanical seals:** tandem seal system for maximum leak protection
- 6 Impeller:** stainless steel is standard, upgrade option to high chrome
- 7 Wear plates:** easily adjustable, wear resistant nitrile rubber clad with many upgrades available
- 8 Strainer:** stainless steel with slotted holes to prevent debris entrance



STANCOR™

Pump & Control Solutions

WWW.STANCORPUMPS.COM | 203.268.7513 |

© copyright 2018 Stancor, L.P.

